

Cook 'n Play® Kitchen Center

Instructions



Ages 2 & Up

Thank you for purchasing the Playskool® Cook 'n Play® Kitchen Center!

Includes: Kitchen Center with stove top, sink, microwave, oven, refrigerator, breakfast bar, doll high chair, telephone, slotted spoon, spatula, ladle, 2 shelves, pan, 2 plates, 2 cups, 2 forks, 2 knives, 2 spoons, 3 utensil hooks, label sheet and bag of screws. (Note: Assembly requires 23 screws, and we have enclosed a bag of 24.)

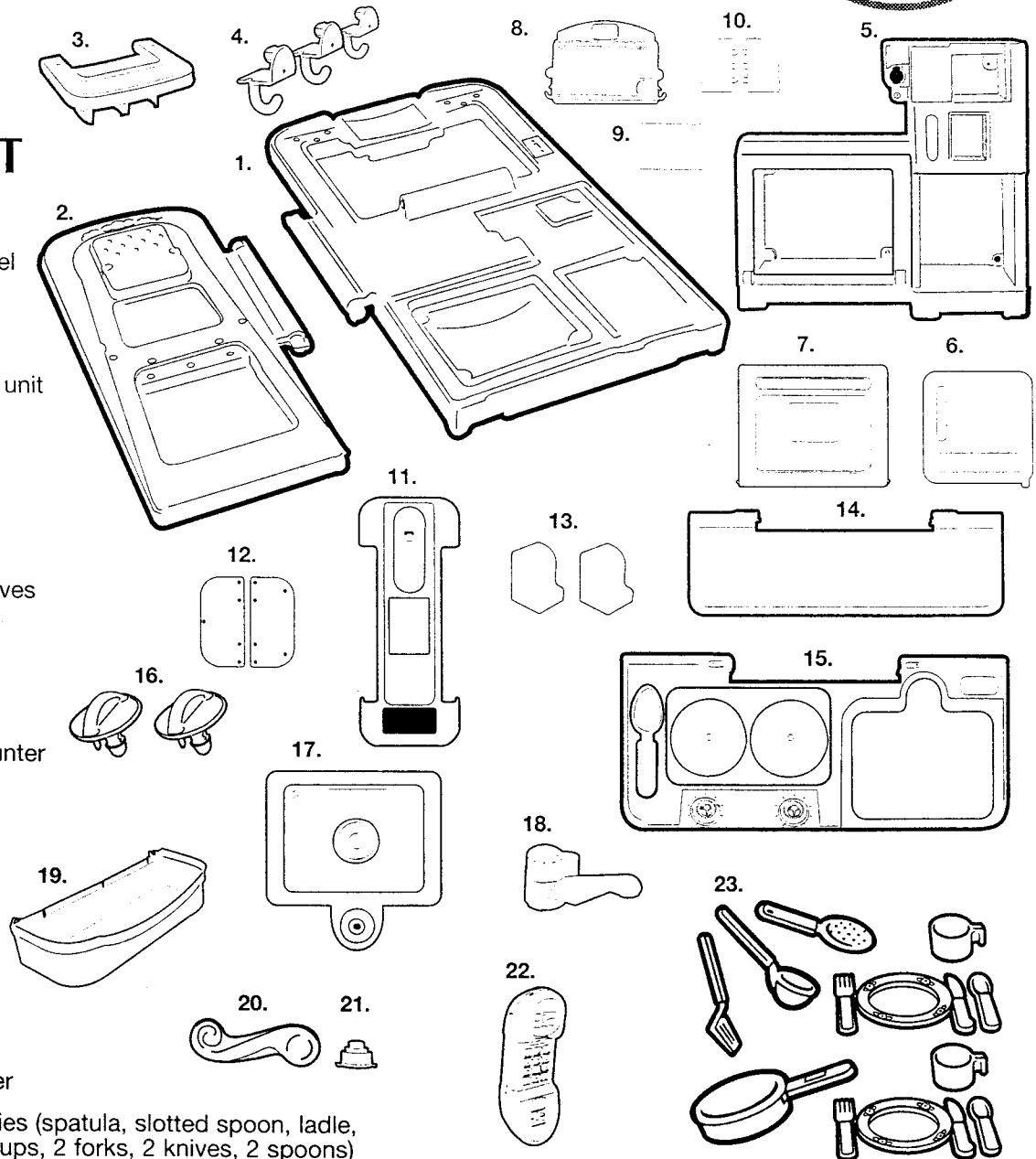
CAUTION: This product contains small parts which are necessary for assembly. Prior to and during assembly of this product, keep small parts out of children's reach. Small parts pose a choke hazard to children under 3 years.

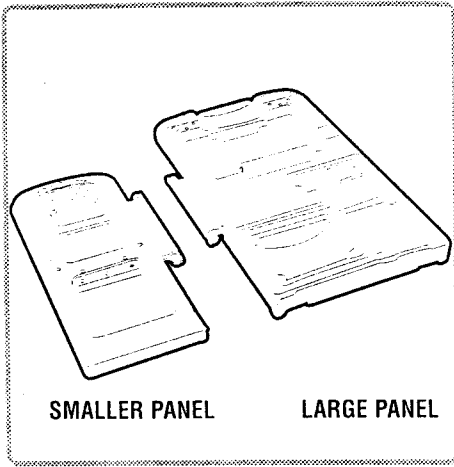
ADULT ASSEMBLY REQUIRED. PHILLIPS SCREWDRIVER REQUIRED FOR ASSEMBLY.



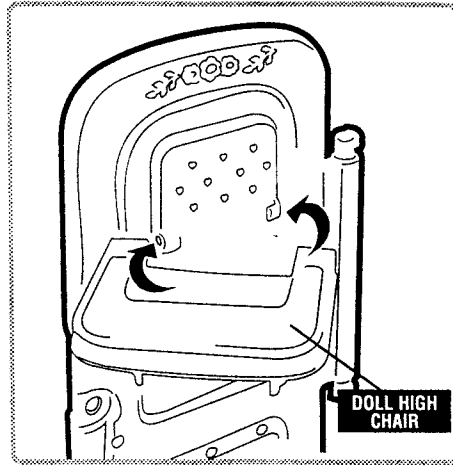
PARTS LIST

1. Large main panel
2. Smaller main panel
3. High chair seat
4. 3 Utensil hooks
5. Refrigerator/oven unit
6. Refrigerator door
7. Oven door
8. Microwave oven
9. Microwave door
10. 2 Microwave shelves
11. Hinge
12. Hinge covers
13. 2 Supporting feet
14. Breakfast bar/counter
15. Stove top
16. Stove knobs
17. Sink
18. Faucet
19. Supply shelf
20. Latch
21. Lock knob
22. Telephone receiver
23. Kitchen accessories (spatula, slotted spoon, ladle, pan, 2 plates, 2 cups, 2 forks, 2 knives, 2 spoons)

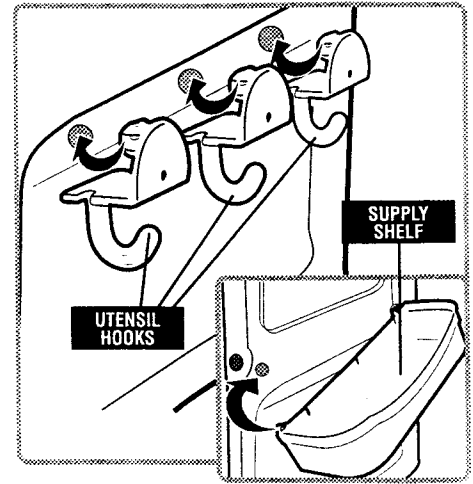




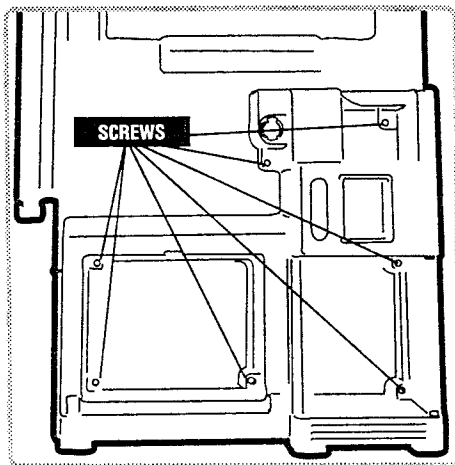
1. Place the 2 main panels flat down on the floor as shown.



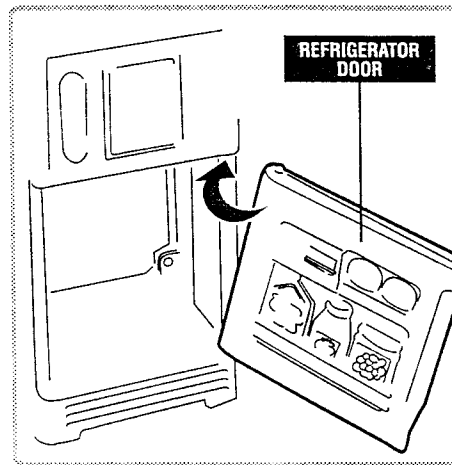
2. Snap the doll high chair into place on panel as shown, fitting the tabs into the holes first on one side, and then the other. If assembled correctly, you should be able to swing the chair up and down easily.



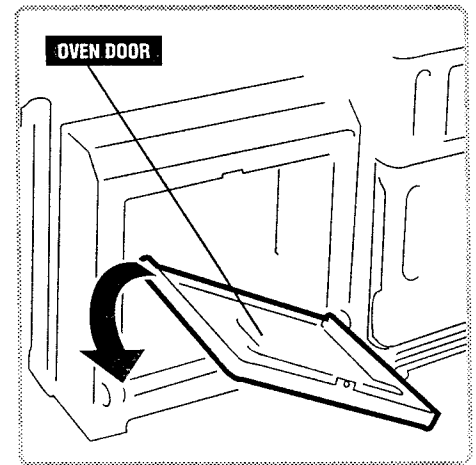
3. Snap the 3 utensil hooks into place below high chair as shown. Snap the supply shelf into place on the smaller panel as shown, above the utensil hooks. Press with your thumb from behind each of the 2 fittings to snap shelf firmly into place.



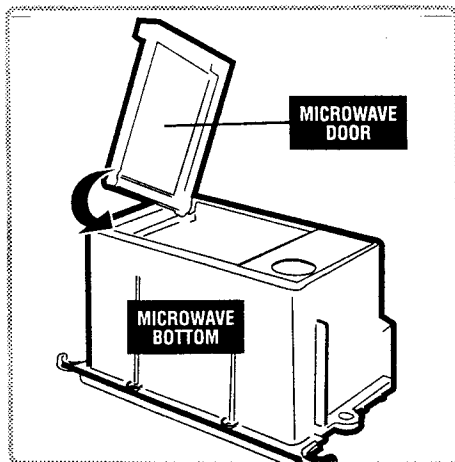
4. Next, assemble the refrigerator/oven unit to the large main panel. Fasten the unit to the panel using a Phillips screwdriver (not included) and 7 of the included screws.



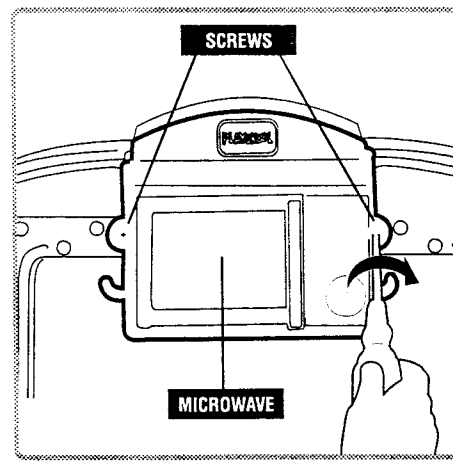
5. Snap the refrigerator door into place vertically as shown, fitting the tabs into the holes first on bottom, and then on top.



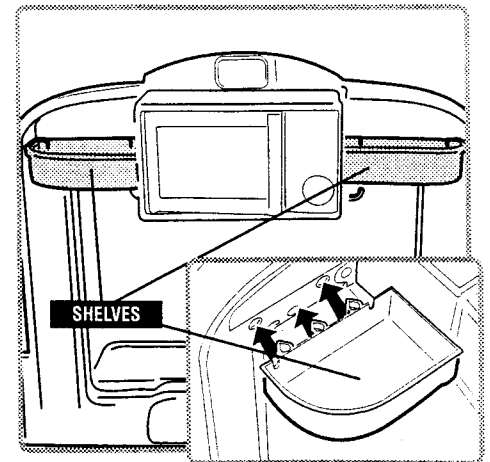
6. Then, snap the oven door into place horizontally, first one side, and then the other.



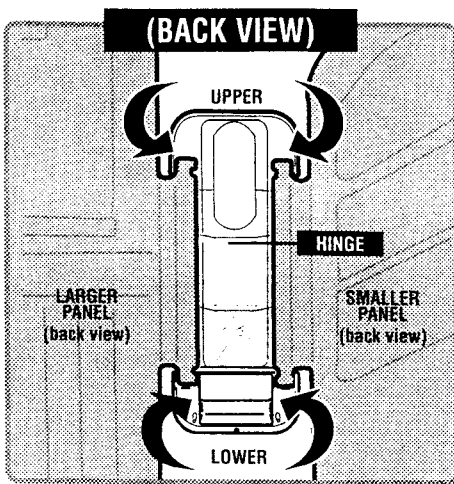
7. Snap the microwave door into place as shown.



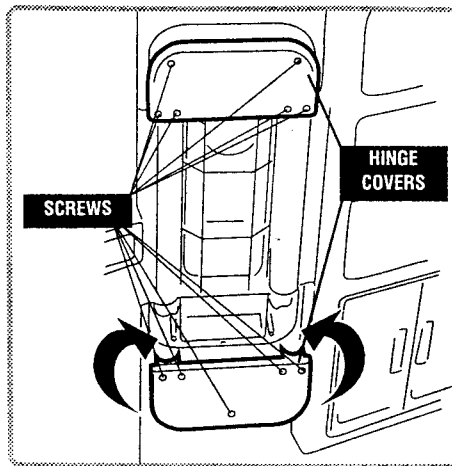
8. Assemble the microwave oven to top of Kitchen Center, securing the assembly by fastening 2 screws into the fittings at bottom of microwave.



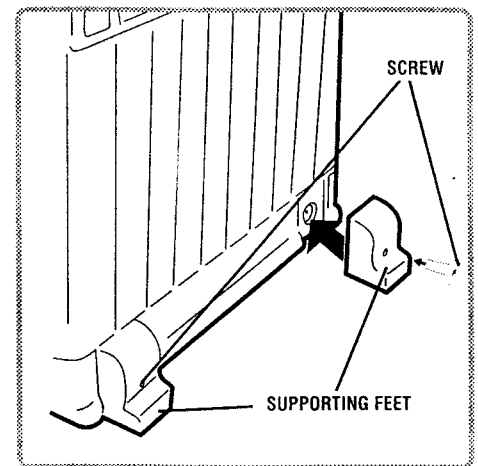
9. Then, snap the 2 shelves on each side of microwave into place. Press with your thumb from behind each of the 3 fittings on both shelves to snap them firmly into place.



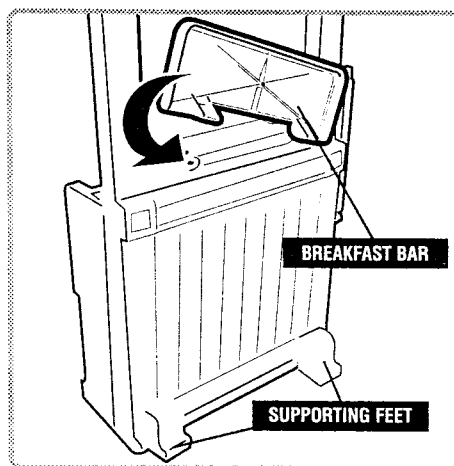
10. Now, stand the assembly upright as shown, and connect the 2 main panels by assembling the hinge. Fit the pivots on both panels into the fittings on hinge. When assembling, one of the two panels should be at an angle (as the smaller panel is in above illustration).



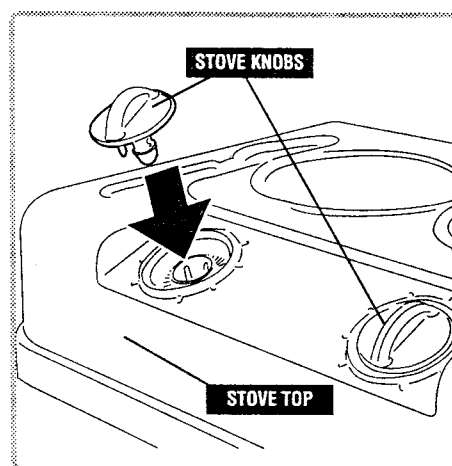
11. Place the upper and lower hinge covers on back of the hinge. Assemble upper hinge cover first. Test action of hinge, to make sure panels move back and forth freely. Secure both covers tightly with the screws.



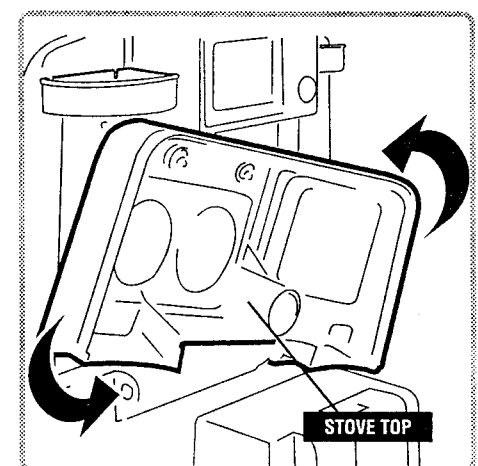
12. Assemble the 2 supporting feet to the back of the large panel. Push feet into fittings, then secure each with one screw as shown.



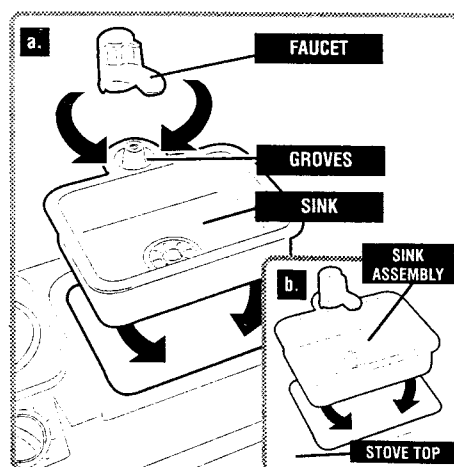
13. Snap the breakfast bar/counter into place, above the supporting feet as shown.



14. Take the stove top/sink area and place it on floor. Push the 2 stove knobs into the 2 front fittings. The knobs should rotate 360 degrees and click as you turn them.

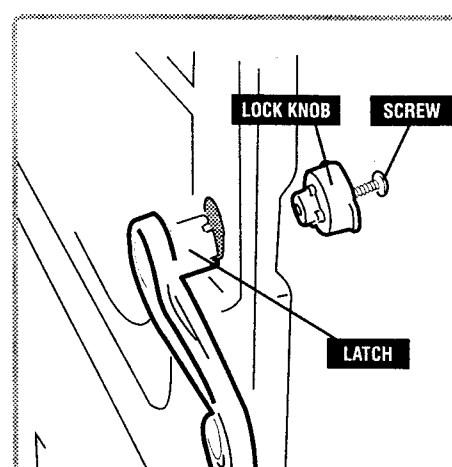


15. Snap the stove top into place above oven and refrigerator unit. Snap in as shown, first one side and then the other.

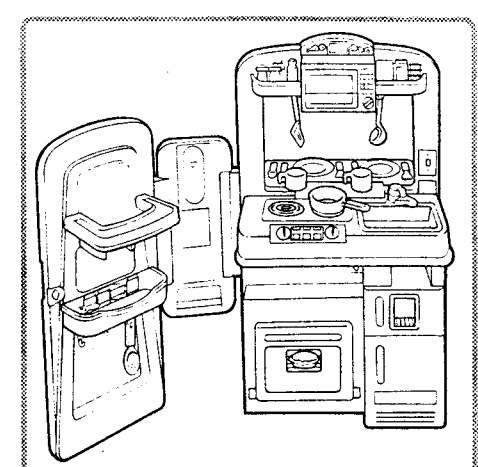


16a. Assemble the faucet to the sink, placing the grooves on faucet inside fittings on sink. If assembled correctly, you should be able to rotate the faucet back and forth.

16b. Then, place the sink assembly inside opening in stove top as shown.



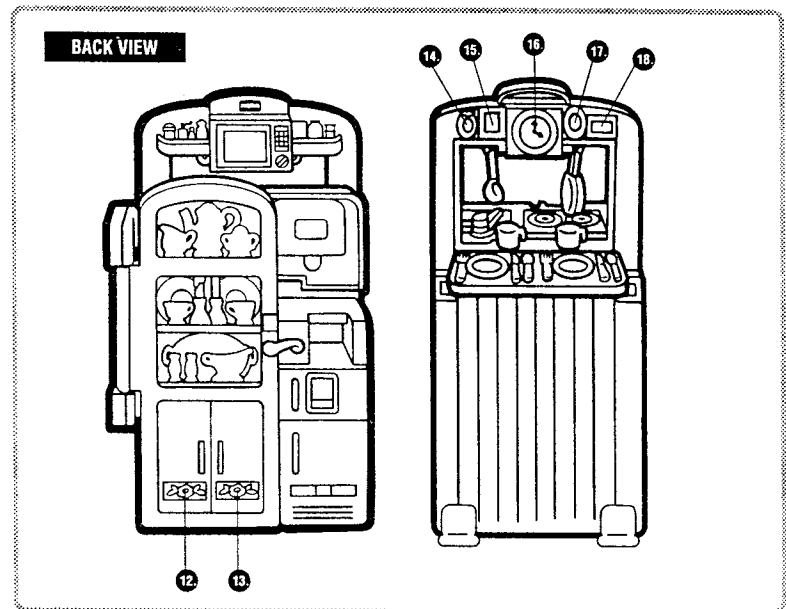
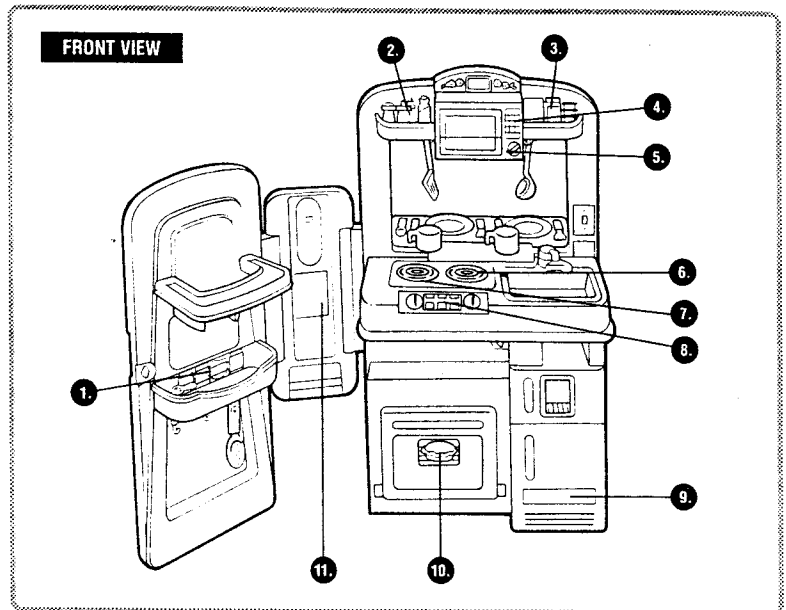
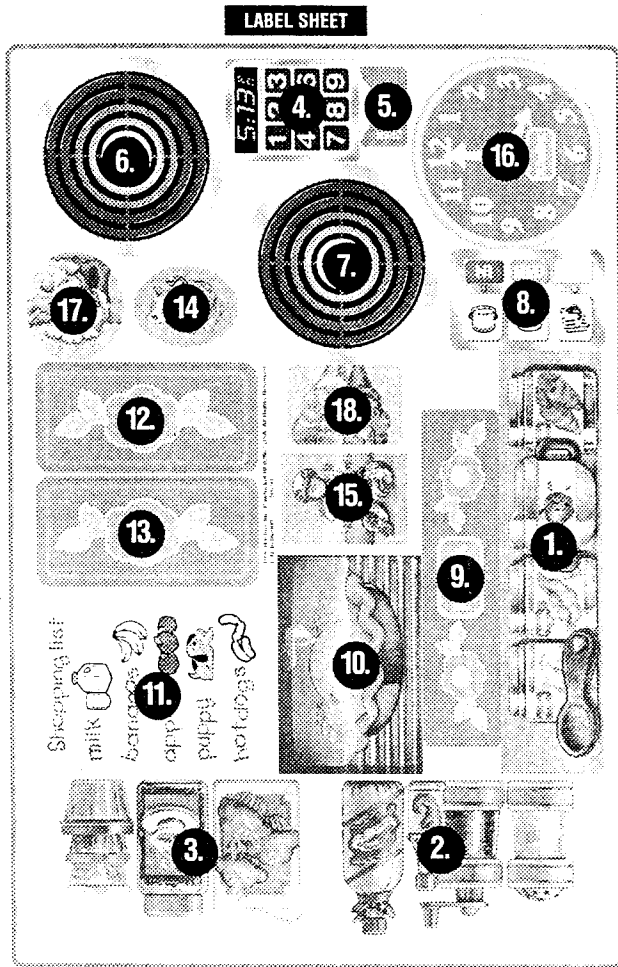
17. Assemble the latch to smaller panel. Take the latch and fit it into the hole on outside of panel (side with inmolded shelves). Then fit the lock knob over the latch fitting as it pokes through the other side (side with high chair). Secure the assembly with one screw, through the lock knob. If assembled correctly, you should be able easily to turn the latch up or down, 90 degrees.



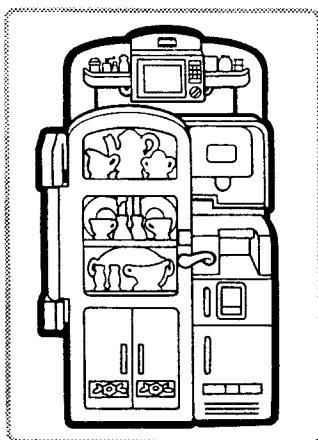
18. There are several spots on Kitchen Center to hold the accessory pieces: the telephone receiver fits onto the hook on hinge; the spatula, slotted spoon and ladle fit on the 3 hooks below high chair, or on the hooks above stove; the other accessories can be placed in the shelves or inside the oven or refrigerator for storage.

APPLY LABELS:

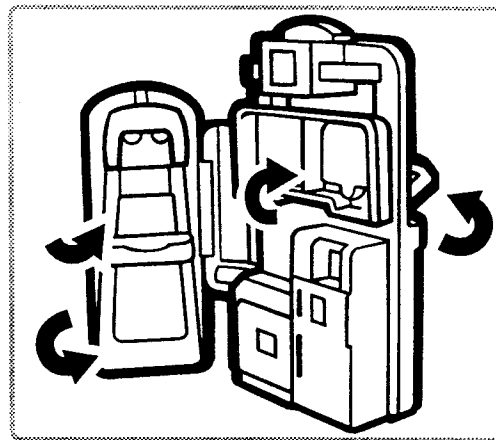
19. Finally, peel and apply the labels as shown. Match up numbers on left with the 2 product illustrations on right. (There are 18 labels in all).



FOLDING THE KITCHEN CENTER:



Now your preschooler is ready to Cook And Play! And when your child is finished playing, the Cook 'n Play Kitchen Center easily folds to only 11" wide for storage!



To fold, simply push the high chair and stove top into "up" position, and fold the smaller panel (with high chair) into larger panel as shown. To secure the closed position, fit the lock knob inside the lock (the latch must be in "up" position for knob to fit into lock), then turn latch down to lock the Kitchen Center closed.

FOLDING THE CEREAL BOXES:

The Kitchen Center comes with 4 Kellogg's cereal boxes (without cereal). The boxes should be folded together in the following manner:

Please note the Kellogg's Fun Pak coupon is located on the band around the cereal boxes.

1. Fold the box together lengthwise first, and use clear tape or ordinary household glue to affix the small flap on the front panel inside the "Nutrition Facts" panel.
2. Fold the small tabs on the top of the box inside, then fold the 2 larger tabs on top of them, with the tab marked with the cereal's name on top. Affix top tab with tape or glue.
3. Repeat Step 2 for the bottom of the box, with the tab marked with the UPC bar code on top.