



# Race Car



Ages 3 & Up

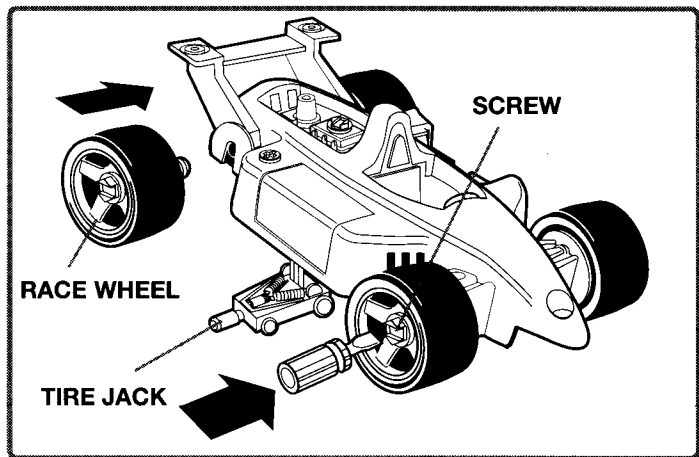
**Thank you for purchasing the Playskool® Cool Tools Race Car!**

Includes: Race car with removable tires and engine parts, pit stop tool box, tire jack, gas can, Cool Tools® screwdriver, label sheet.

With the Cool Tools® Race Car, the assembly is part of the play! The car has 13 different places where you can use your Cool Tools to assemble or disassemble parts, over and over again!

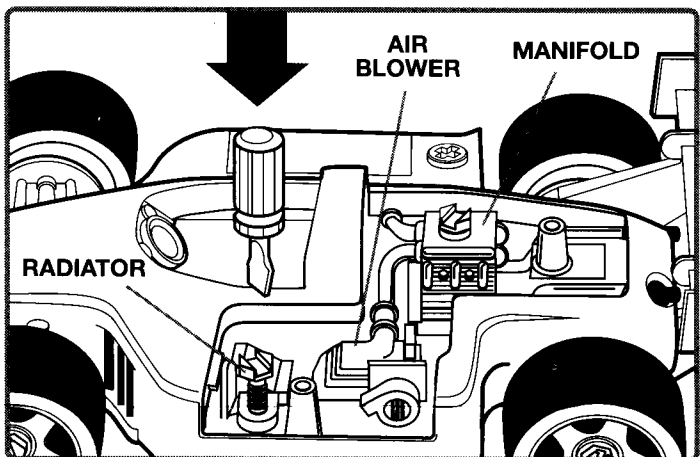
**WARNING:**  
CHOKING HAZARD—Small parts.  
Not for children under 3 years.

## WHEEL ASSEMBLY



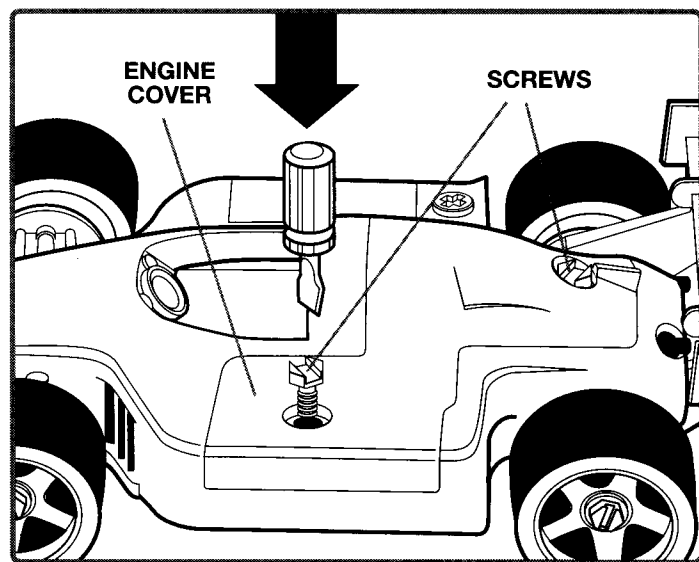
The 4 race wheels (with attached plastic screws) come packaged separately from the car's body. To assemble the wheels, slip the tire jack under the side of the car, and use the Cool Tools screwdriver to attach and tighten the wheels' screws onto the car's chassis. Repeat steps for other side.

## ENGINE ASSEMBLY



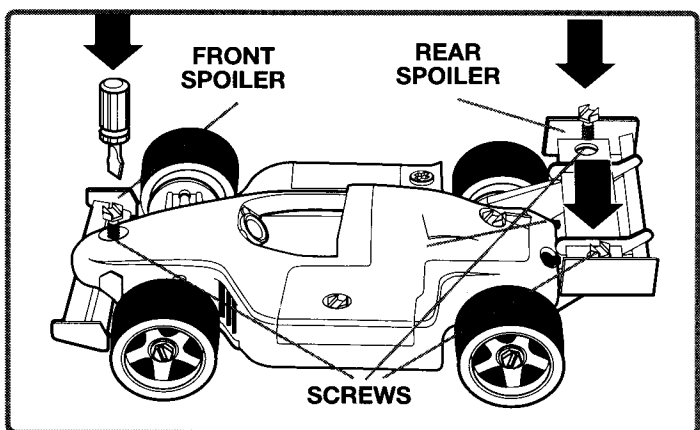
The engine parts (radiator, air blower and die cast engine intake manifold) and 8 additional plastic screws also come packaged separately from the car's body. Assemble each part to car's engine as shown (air blower before manifold), fitting screw hole on part over screw hole in engine, and then fastening with screw and Cool Tools screwdriver.

## ENGINE ASSEMBLY



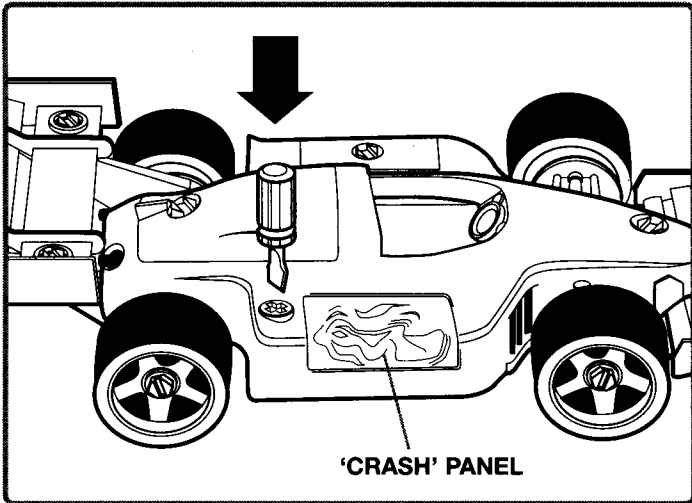
After completing the engine assembly, fit the engine cover into place as shown, and fasten with 2 screws and the Cool Tools screwdriver.

## FRONT AND REAR SPOILERS



Fit the front spoiler underneath front tip of car, lining up screw hole, and fasten with 1 screw as shown. Then, fit the rear spoiler into place, lining up screw holes on each side, and fasten with 2 screws as shown. The rear spoiler can be placed in 4 different positions (forwards, backwards, right side up or upside down) and the front spoiler can be placed in 2 positions (right side up or upside down).

## 'CRASH' PANEL



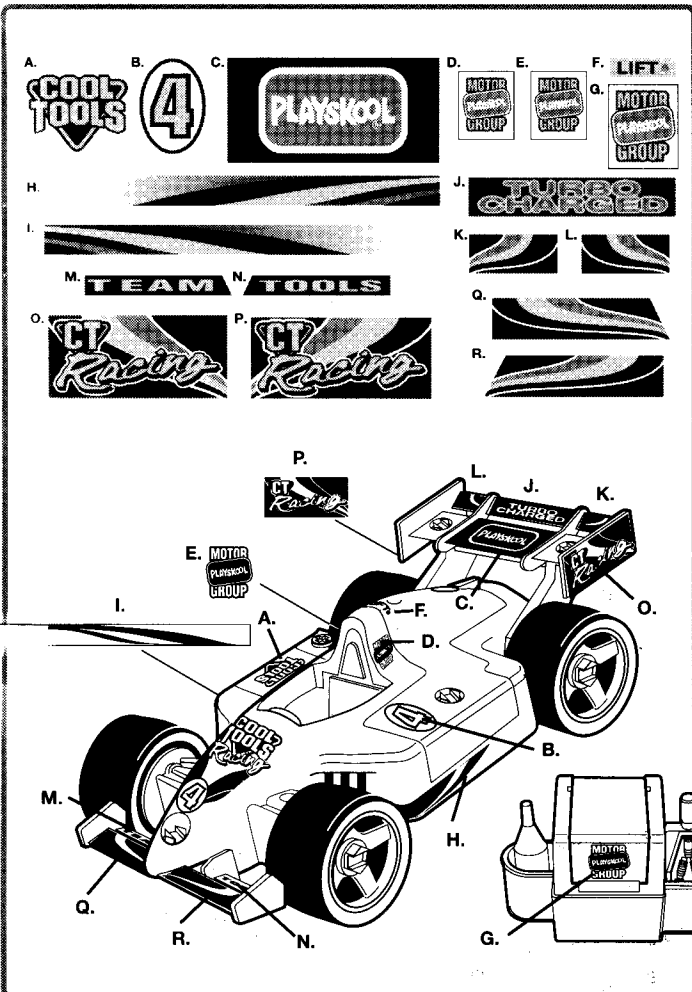
The side of the Race Car opposite the engine has a special panel that you can turn inside out to make the car look as if it's been "crashed!" Loosen the screw to rotate the panel as shown, then tighten screw to hold panel in place. To make damage "disappear," repeat procedure and turn panel back inside.

## PIT STOP TOOL BOX



The Race Car also comes with a pit stop tool box to hold all your Automotive tools! The tire jack fits into its slot on right side, the fuel can on the left, and the covered tool box holds the screwdriver and lots more Cool Tools®!

## APPLYING THE LABELS



Peel and apply the labels to the assembled Race Car as shown.

## Cool Tools® Race Car Driver

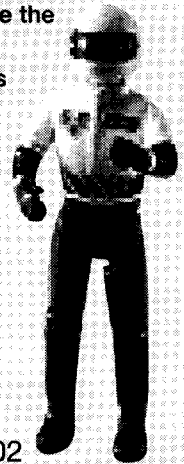
### IN THE MAIL

Clip this coupon and mail it in to receive a Driver for your Cool Tools® Race Car! Complete the order form below and mail it along with:

- the UPC Proof of Purchase from this package
- a \$1.00 check to cover postage and handling, payable to HASBRO PROMOTIONS & DIRECT
- the cash register receipt for this product

### MAIL TO:

**Cool Tools®  
Race Car Driver Offer**  
PO Box 8002  
Young America, MN 55551-8002



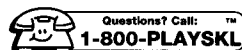
Name \_\_\_\_\_

Address \_\_\_\_\_

City \_\_\_\_\_ State \_\_\_\_\_ Zip \_\_\_\_\_

Race Car Driver not available until July 1, 1996. All requests must be postmarked by December 31, 1997. Offer good while supplies last. Allow 6-8 weeks for delivery. Hasbro, Inc. not responsible for late, lost, mutilated or misdirected mail. Offer void where prohibited by law. Offer good only in the USA.

© 1996 Hasbro, Inc., Pawtucket, RI 02862 USA. All Rights Reserved. ® denotes Reg. U.S. Pat. & TM Office.



P/N 46723600 **MADE IN CHINA.**  
3794