



For future reference, our toll-free consumer service number is also located on this product.

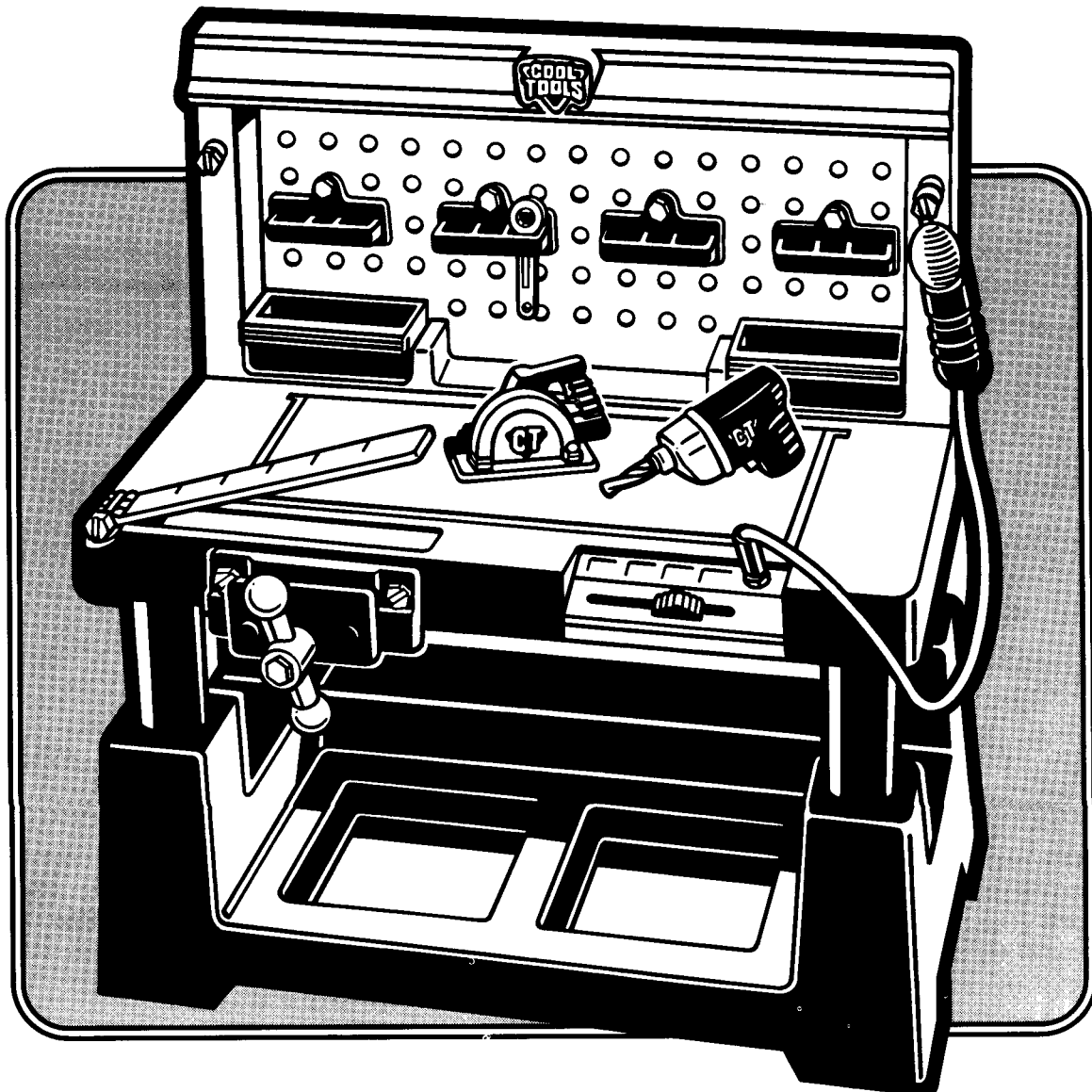
Power Workbench

Thank you for purchasing the Cool Tools Power Workbench! Please save this instruction sheet for future reference. If you have questions, comments or concerns about this product, please call Playskool toll-free at **1-800-PLAYSKL**. Playskool has carefully designed this product for pretend play, so that your child can enjoy the look and sounds of a real workbench and have lots of pretend workbench fun, but cannot operate any part of the toy as an actual toolbench or bench accessory.

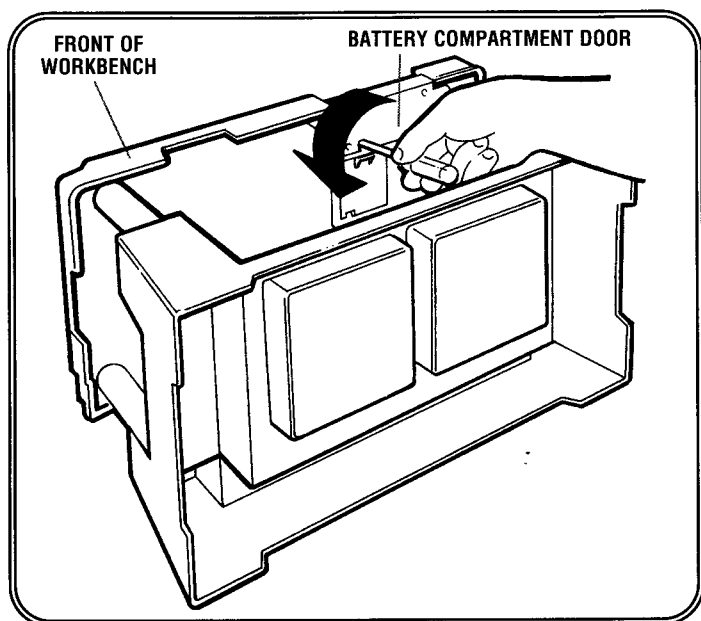
Includes: bench with 4 electronic tool sounds, pegboard, box wrench, pretend drill, pretend circular saw, 8 bolts, vise, shop light, 4 tool holders, 2 bins, ruler and instruction sheet.

What's needed: Phillips® screwdriver (not included) and 3 "AA" alkaline batteries (not included).

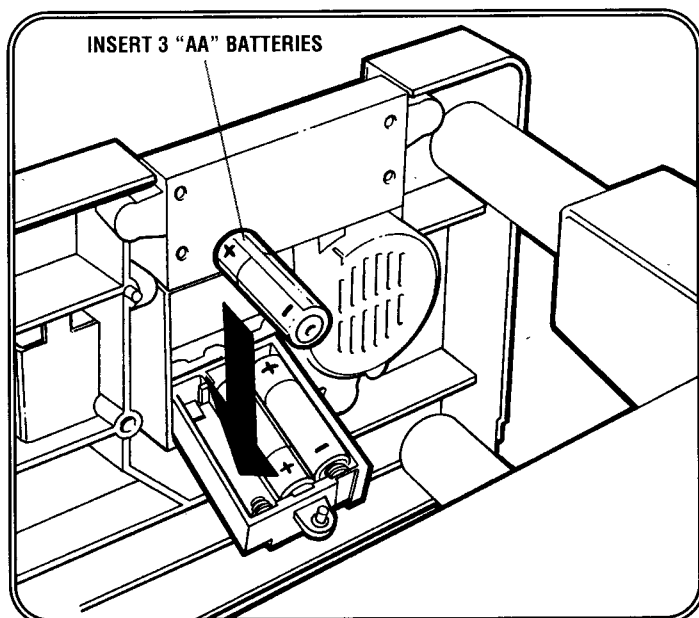
Please remove pieces from plastic bags and discard bags immediately.



To Insert Batteries



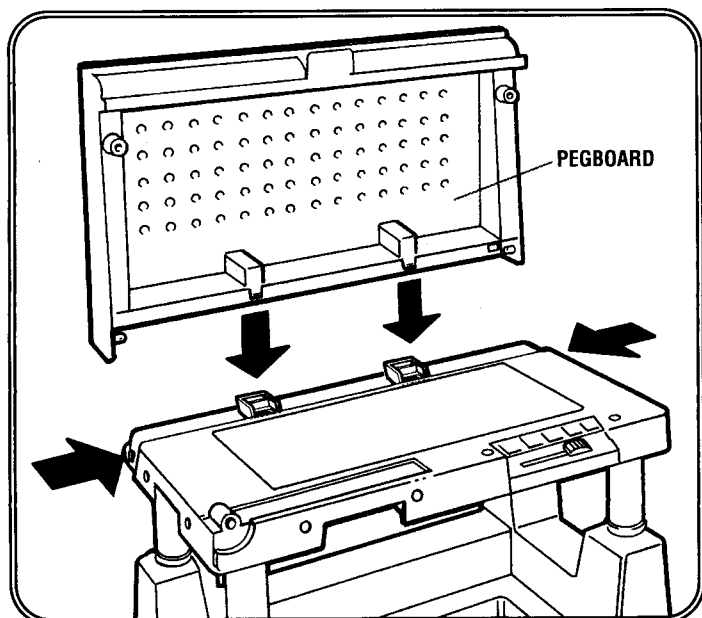
To access battery compartment, lay bench on flat surface, with front of bench facing up, as shown. With Phillips® screwdriver, loosen screw in battery compartment door.



Swing door open. Insert 3 "AA" alkaline batteries (not included) as shown in illustration and inside compartment. Swing door closed and tighten screw.

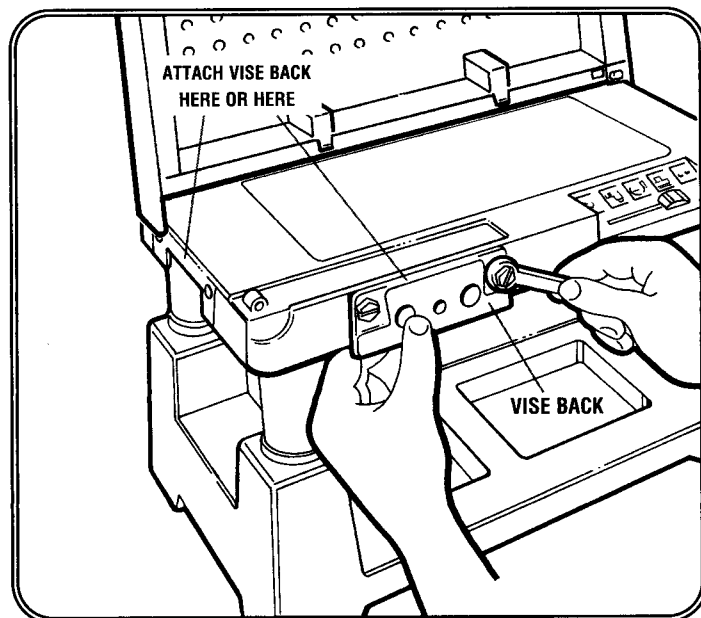
Note: Batteries need to be replaced when the tool sounds become faint, slow down or cannot be heard.

To Attach Pegboard



Stand bench upright. Insert post on each end of pegboard into hole in each end of bench, then snap tabs on pegboard into slots in bench.

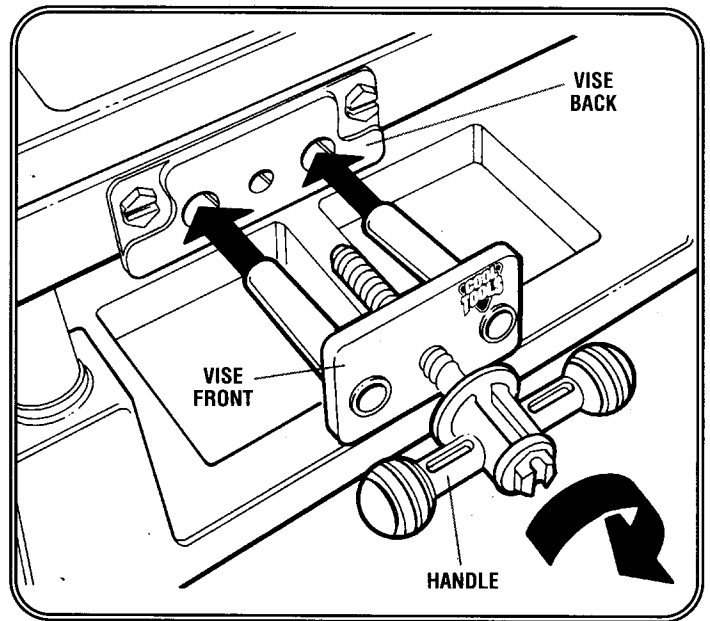
To Assemble & Attach Vise



1. Attach Vise Back to Bench: Vise can be attached to either the front or left side of the bench. Place vise back on opening, aligning holes, and hold it in place. Insert a bolt into each hole and tighten with your hands or box wrench.

To Assemble & Attach Vise (Continued)

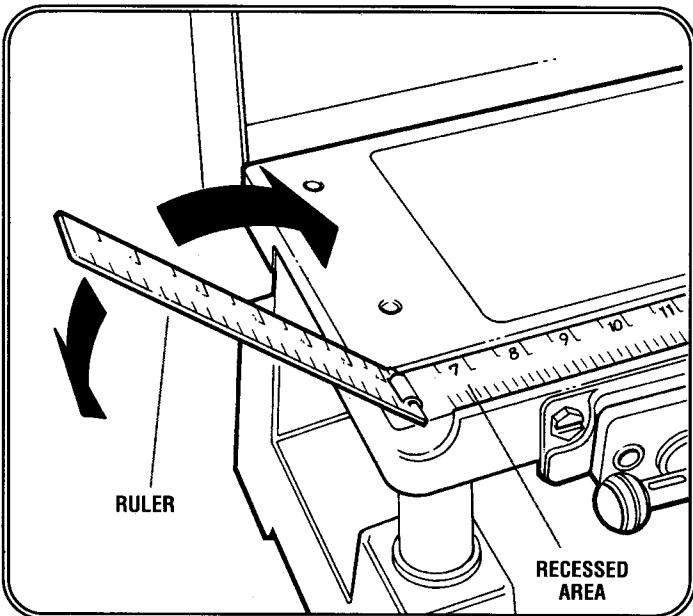
- 2. Assemble Handle and Vise Front:** Twist handle all the way into vise front. When the handle becomes difficult to turn, press handle toward vise front and continue turning until handle pops into place and turns freely.
- 3. Attach Handle/Vise Front Assembly to Vise Back:** Insert posts on handle/front assembly into holes in vise back. (Make sure Cool Tools symbol is right side up.) Twist handle clockwise to attach handle/front to vise back.



Note: When “working” on projects . . .

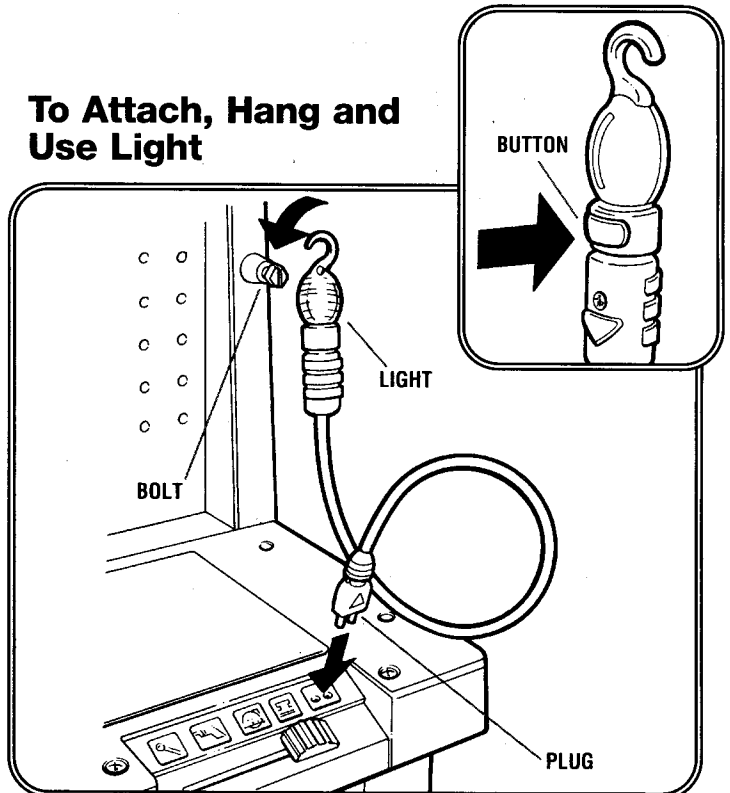
- To loosen vise – turn handle counterclockwise.
- To tighten vise – turn handle clockwise.

To Use Ruler



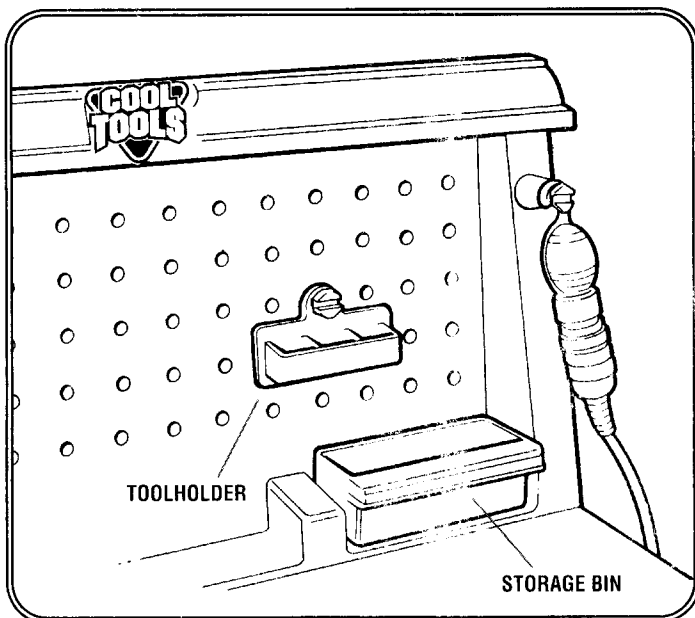
1. Ruler measures up to 6” when in recess. To measure up to 12”, flip ruler out of recessed area.

To Attach, Hang and Use Light



1. Insert plug into receptacle in bench-top.
2. Insert bolt into hole on right side of pegboard, and tighten bolt only partway with your hand or box wrench. Hook light onto bolt to hang light up.
3. To turn light on, press button (see inset). Light shuts off when you release button.

To Attach Toolholders to Pegboard



You can attach the toolholders in different places on the pegboard. Align hole in toolholder with hole in pegboard. Insert bolt into hole and tighten with your hand or box wrench.

Tools fit into openings in toolholders. Note: Tools fit best when toolholders are attached to the middle row on the pegboard.

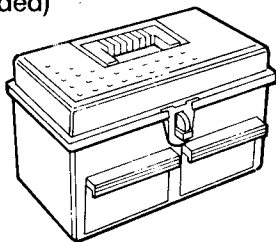
Storage Bins

Place storage bins on bench-top against pegboard as shown to store Cool Tools and accessories.

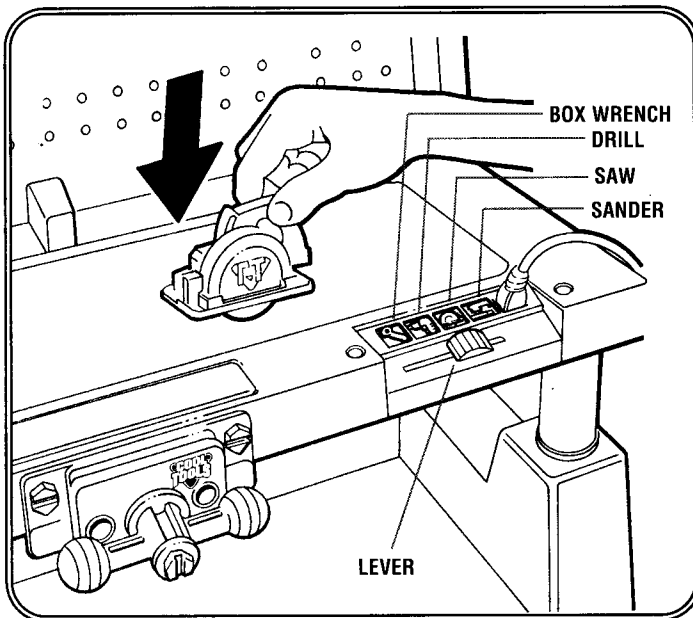
Under-Bench Storage

You can store Cool Tools and accessories in two recessed areas under bench.

(Cool Tools Toolbox (not included) also fits in this area; remove storage tray from Toolbox to slide drawers open while Toolbox is under bench. Note: If vise is attached to front, vise handle must be horizontal to place Toolbox under bench.)



To Activate Tool Sounds



1. Slide lever on bench-top to select one of four tool sounds.
2. Press down anywhere on bench-top pad to hear the sound. Each time you press the pad, the sound cycles once through then stops. To re-activate the sound, press the pad again. Repeat steps 1 and 2 to select and hear another sound.

