



Ages 3 & Up

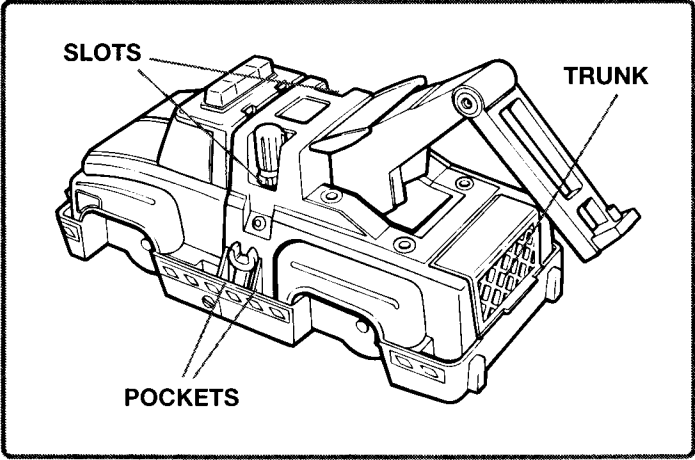


TOW TRUCK

WARNING:
CHOKING HAZARD-Small parts.
Not for children under 3 years.

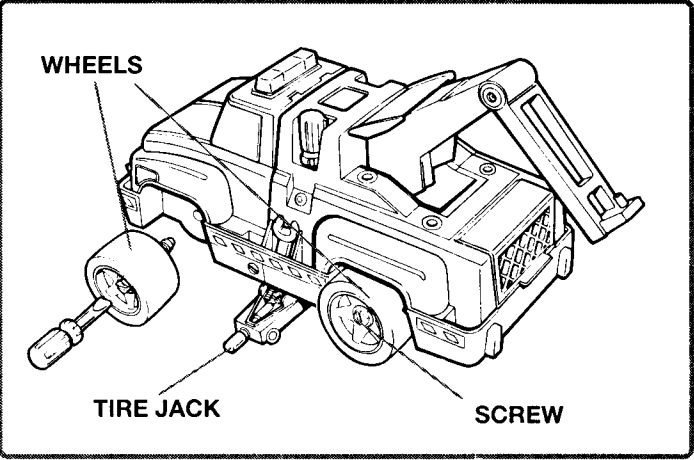
With the Cool Tools Tow Truck, the assembly is part of the play!
The truck has 15 different places where you can use your Cool Tools to assemble or disassemble parts, over and over again!

USING YOUR COOL TOOLS



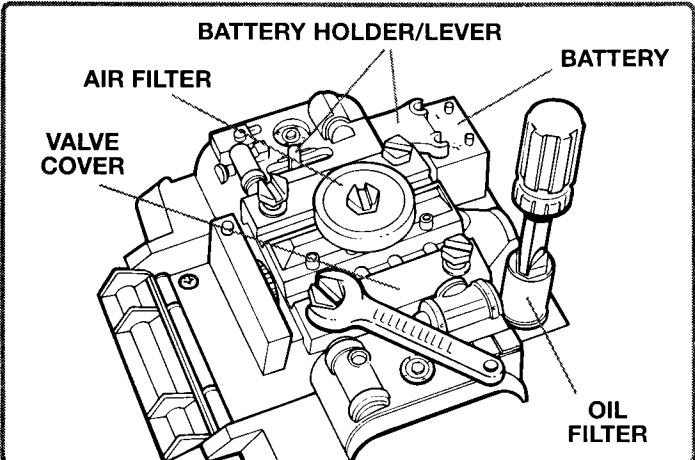
The Tow Truck comes with 2 Cool Tools: screwdriver and wrench. When not in use, you can store the tools in the truck's back trunk, the side pockets, or in the custom-made slots directly behind the truck cab.

WHEEL ASSEMBLY



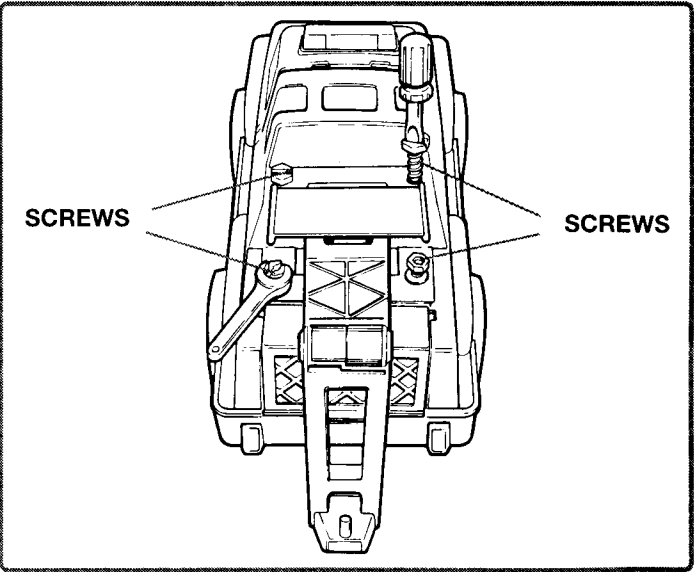
To assemble the wheels, slip the tire jack under the side of the truck as shown, and use the Cool Tools screwdriver to tighten the wheels' screws onto the truck's chassis.

ENGINE ASSEMBLY



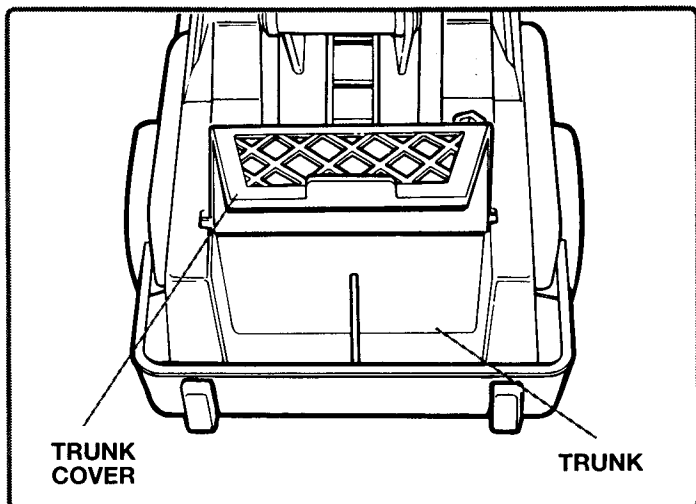
The Tow Truck's front cab opens up to reveal the engine. To lock and unlock the cab, there is a notch just below the driver's side door that can be opened with the screwdriver. Once you've opened the cab, use the wrench and the screwdriver to assemble the engine parts as shown: oil filter, valve cover and air filter. Slide battery holder/lever to secure battery in place.

OTHER ASSEMBLY



There are 4 assorted screws for the bed of the truck. These can be screwed and unscrewed with the wrench or screwdriver.

TRUNK COVER

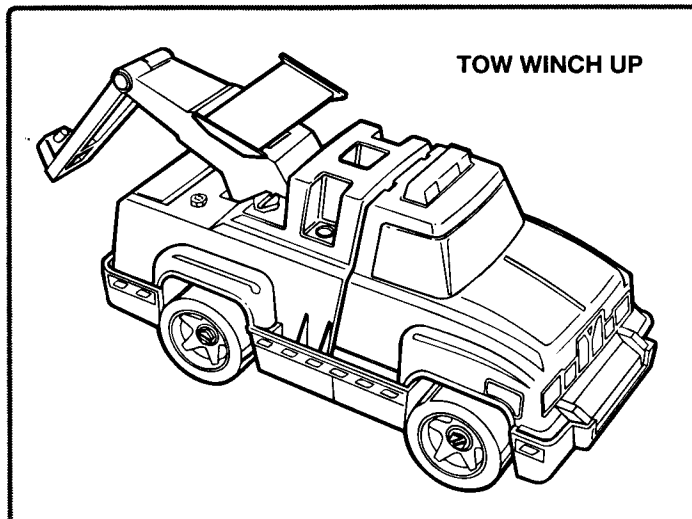


TRUNK
COVER

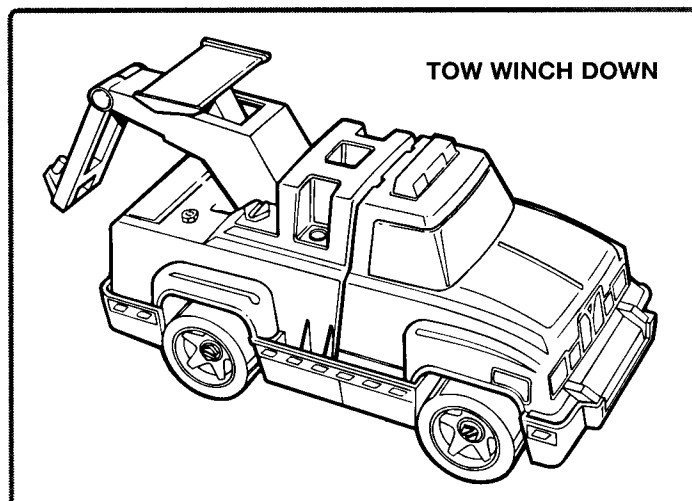
TRUNK

The trunk cover may be opened and closed to hold cargo in place.

USING THE TOW WINCH

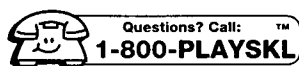


TOW WINCH UP



TOW WINCH DOWN

Hook up your toy cars to the truck's winch and tow 'em away! The tow winch locks into 2 positions, upper and lower, to lift and carry cars just like a real tow truck.



Questions? Call: TM

1-800-PLAYSKL

© 1995 Hasbro, Inc., Pawtucket, RI 02862 USA.

All Rights Reserved.

® denotes Reg. U.S. Pat. & TM Office.

TRUCK MADE IN THE USA. SCREWDRIVER AND WRENCH MADE IN CHINA.

3793

P/N 45535600