



Workshop Power Tool Set

Ages 3 & Up

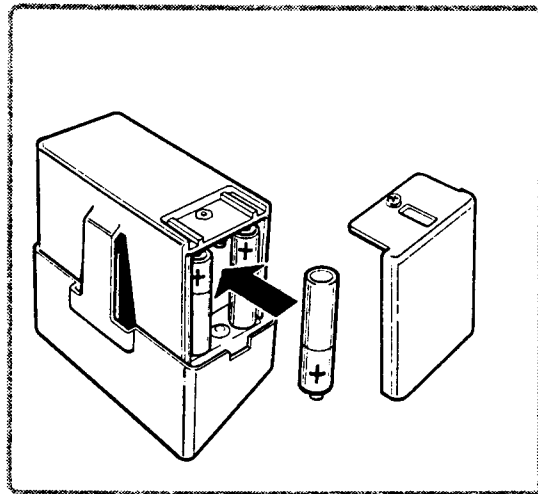
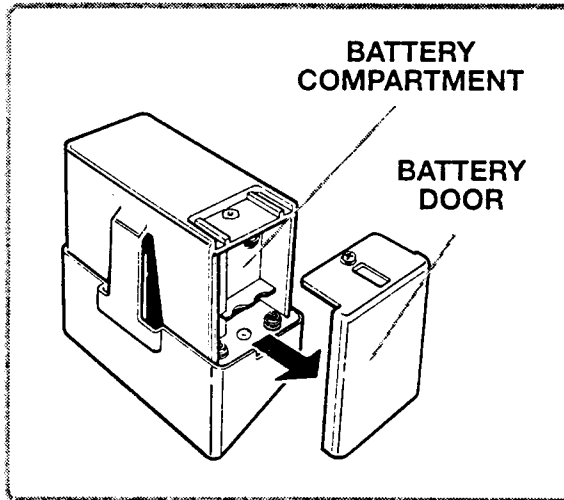


WARNING:

CHOKING HAZARD - Small parts.
Not for children under 3 years.

3 "AA" batteries and Phillips screwdriver needed for battery placement (not included)

INSERTING BATTERIES

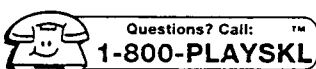


1. Locate the battery compartment on right bottom side of Power Pack. Use a Phillips screwdriver to loosen (but not remove) the screw that secures the battery compartment door, and remove door.

2. Insert 3 "AA" batteries (alkaline recommended), following direction indicators inside compartment. Replace door and tighten screw with screwdriver.

CAUTION: TO AVOID BATTERY LEAKAGE

1. Be sure to insert the batteries correctly and follow the toy and battery manufacturer's instructions.
2. Do not mix old batteries and new batteries or alkaline, standard (carbon-zinc) or rechargeable batteries.
3. Always remove exhausted or dead batteries from product.



Questions? Call:

1-800-PLAYSKL™

© 1996 Hasbro, Inc., Pawtucket, RI 02862 USA. All Rights Reserved.

® denotes Reg. U.S. Pat. & TM Office. **MADE IN CHINA.**

3752

P/N 47195400