



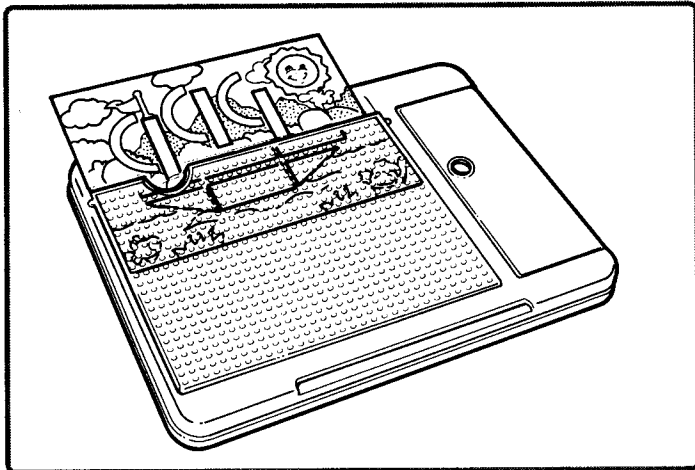
Learning Steps™

Ages 2 & Up

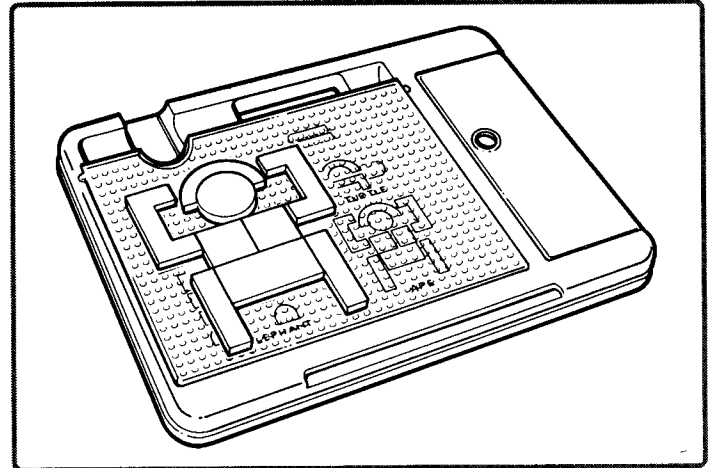
Creative Shapes Pegboard™

INCLUDES: Pegboard, 4 two-sided design cards, 32 pegboard shapes.

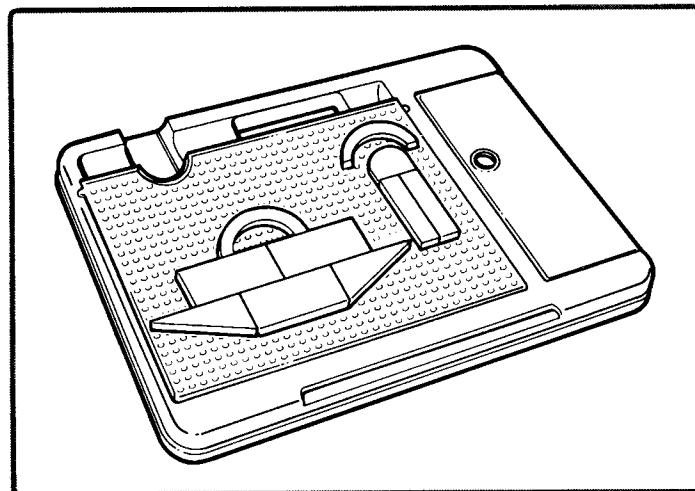
PLAY INSTRUCTIONS



The Creative Shapes Pegboard comes with 4 two-sided design cards. As a beginner, your preschooler should slide the colored scenes behind the pegboard as shown and use them as a guide for making a picture on the pegboard.

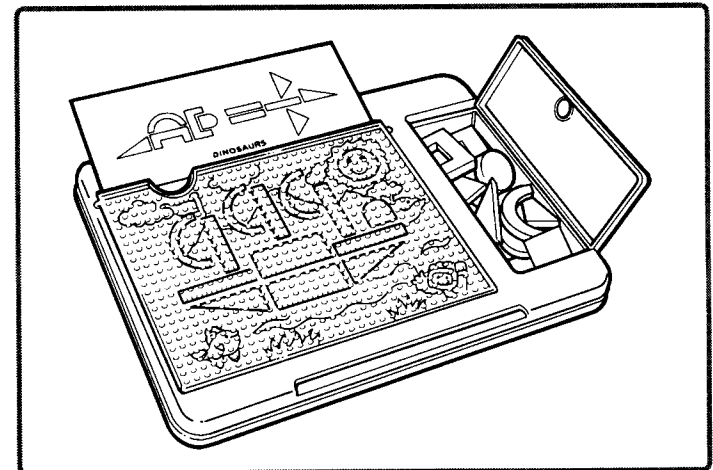


After your preschooler gains confidence in using the pegboard pieces, the other side of the design cards has objects and figures that your child can use as reference for creating pictures and scenes of their own on the pegboard!

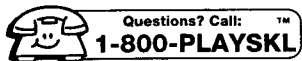


Of course, the pegboard can also be used by itself for your child to create anything from simple shapes to complete scenes!

STORAGE



All 32 pegboard shapes fit into the storage compartment next to the pegboard. The design cards can be stored behind the pegboard.



© 1995 Hasbro, Inc., Pawtucket, RI 02862 USA. All Rights Reserved.

® denotes Reg. U.S. Pat. & TM Office.
MADE IN THE USA. P/N 45701200