

Mold 'n Go Speedway™

AGES
3+

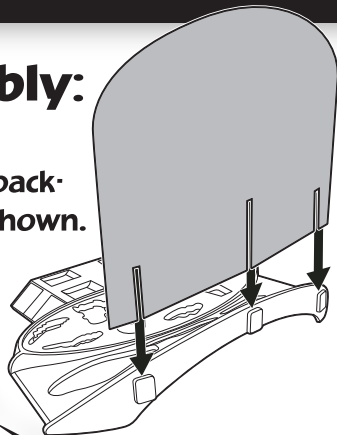
CONTENTS: Lightning McQueen mold and chassis, Francesco mold and chassis, backdrop, gas tank presser and plunger, playset base with molds, Pick-up Stick Tool™, Lug wrench tool, Mater presser with rail, playmat and 4 two-ounce cans of PLAY-DOH Brand Modeling Compound (Net wt. 8 oz., 226 g).

31956



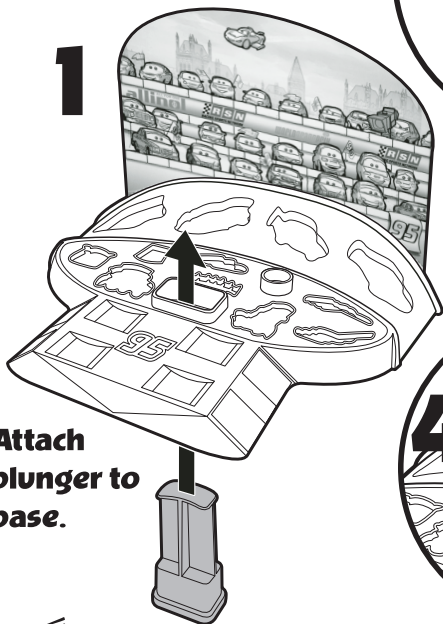
Assembly:

Attach back-drop as shown.



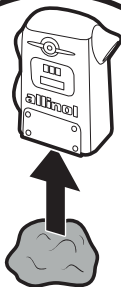
Gas Tank:

1



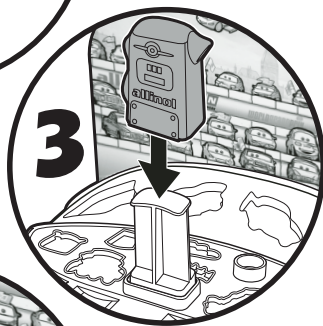
Attach plunger to base.

2



Fill tank with compound.

3



Press out compound.

4

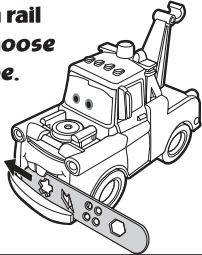
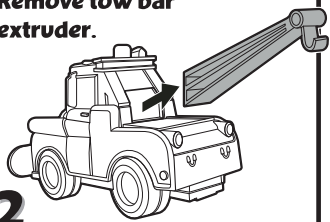
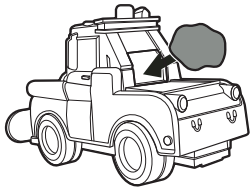
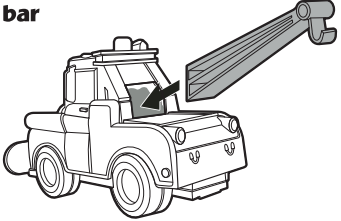
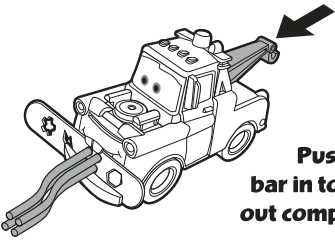


NOTICE TO PARENTS: CONTAINS WHEAT. NONTOXIC.
CONFORMS TO ASTM D-4236.

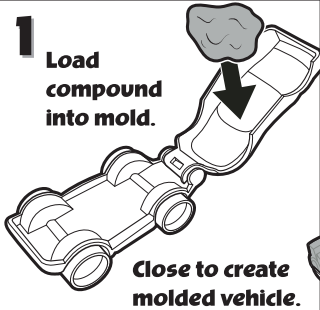

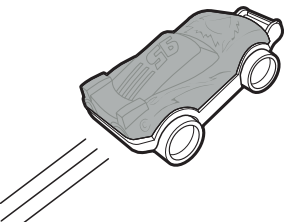
Play-Doh

**NOTICE TO PARENTS:
CONTAINS WHEAT. NONTOXIC.
CONFORMS TO ASTM D-4236.**

Mater Presser:

<p>1 Attach rail and choose a shape.</p> 	<p>2 Remove tow bar extruder.</p> 	<p>3 Load compound.</p> 
<p>4 Insert tow bar extruder.</p> 	<p>5 Push tow bar in to press out compound.</p> 	

Lightning McQueen and Francesco Molds:

<p>1 Load compound into mold.</p>  <p>Close to create molded vehicle.</p>	<p>2 Snap off top of mold.</p> 	<p>3 Customize and roll your car.</p> 
---	--	--

Product and colors may vary. Questions? Call: 1-800-327-8264

Clean Up!

Remove excess PLAY-DOH Modeling Compound. Allow remaining compound to dry, then scrape or vacuum it away.



© Disney/Pixar

® and/or TM® & © 2011 Hasbro, Pawtucket, RI 02862 USA. All Rights Reserved. TM & ® denote U.S. Trademarks.

PLAY-DOH and the PLAY-DOH logo are trademarks identifying quality modeling compound products produced exclusively by Hasbro, Inc.

© 2011 Hasbro. All Rights Reserved. TM & ® denote U.S. Trademarks. U.S. Patent No. 6713624

PN 7163010000