

Deluxe Princess™ POWER CYCLE® ASSEMBLY INSTRUCTIONS

PLEASE NOTE: ADULT ASSEMBLY REQUIRED. READ INSTRUCTIONS PRIOR TO ASSEMBLY.

TOOLS REQUIRED (NOT INCLUDED): Hammer, regular Screwdriver, Phillips Screwdriver and a small block of wood (approx. 2" x 2" x 3/4").

WARNING:

ADULT SUPERVISION AND INSTRUCTION REQUIRED REGARDING THE PROPER USE OF THIS TOY. THIS RIDE-ON TOY SHOULD NOT BE USED NEAR SWIMMING POOLS, ON OR NEAR HILLS, ROADWAYS, SLOPED DRIVEWAYS, ALLEYS OR STEPS. SHOES MUST BE WORN AT ALL TIMES. ONLY ONE RIDER AT A TIME. DO NOT RIDE AFTER DARK. DO NOT CARRY ANYTHING THAT IMPAIRS VISION.

BE SAFE

- DO NOT RIDE POWER CYCLE AFTER DARK.
- DO NOT CARRY ANYTHING THAT WILL IMPAIR VISION.
- DO NOT RIDE DOUBLE ON YOUR POWER CYCLE.

NOTE: For ease of assembly, trim all plastic parts of excess material.

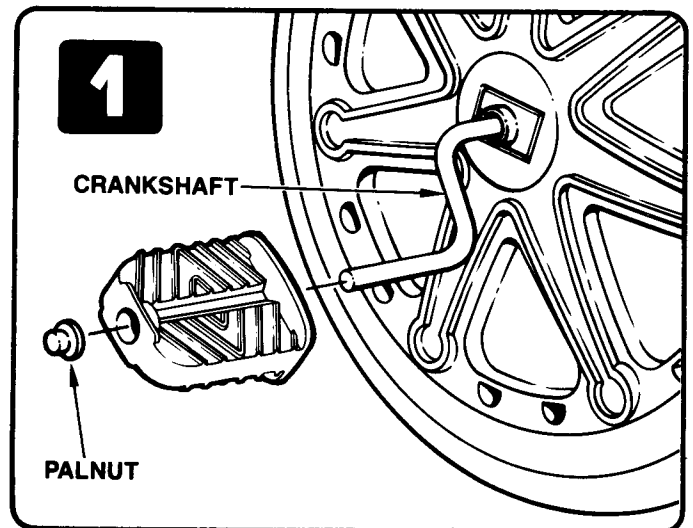
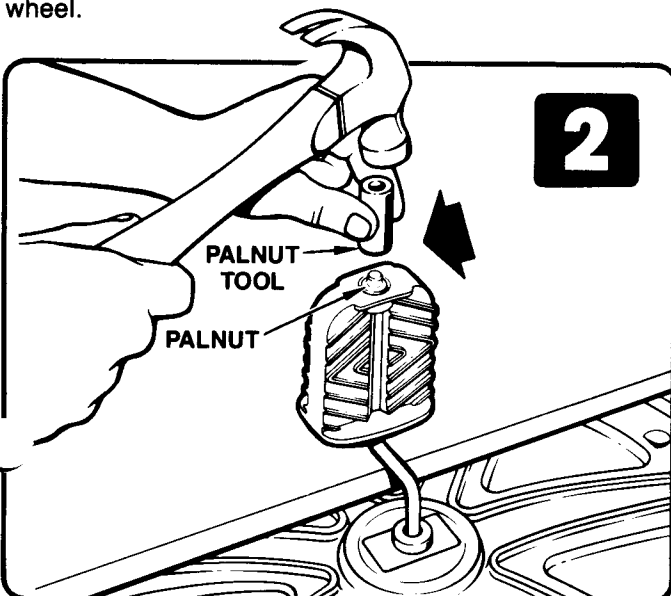
STEP 1. FRONT WHEEL ASSEMBLY

Slide a pedal onto crank-shaft as shown. Then, fit a palnut onto the crankshaft.

STEP 2. FASTEN PEDAL TO CRANK-SHAFT

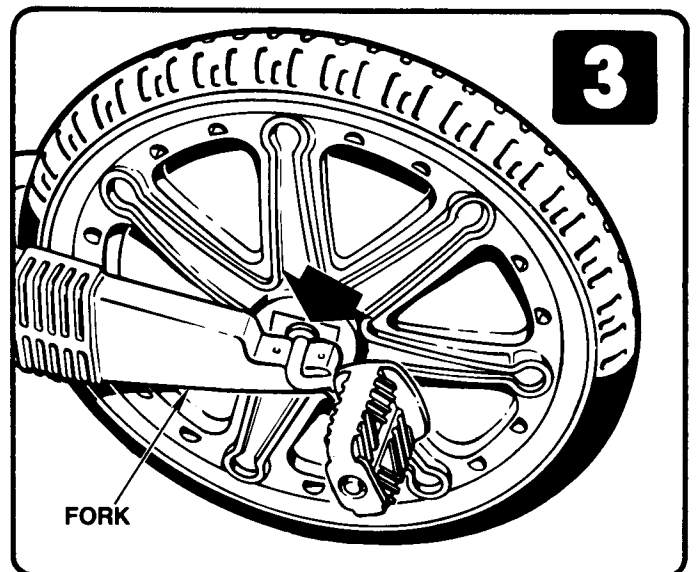
Place the pedal assembly over the edge of a flat surface for support. Position and secure a palnut to crank-shaft, using palnut tool and hammer. Make sure the palnut is secure by pulling on the pedal.

Repeat STEPS 1 and 2 for the opposite side of the front wheel.



STEP 3. ASSEMBLE FRONT WHEEL TO FORK

Install the assembled front wheel into the fork by positioning the crankshaft into the slots in the fork as shown.

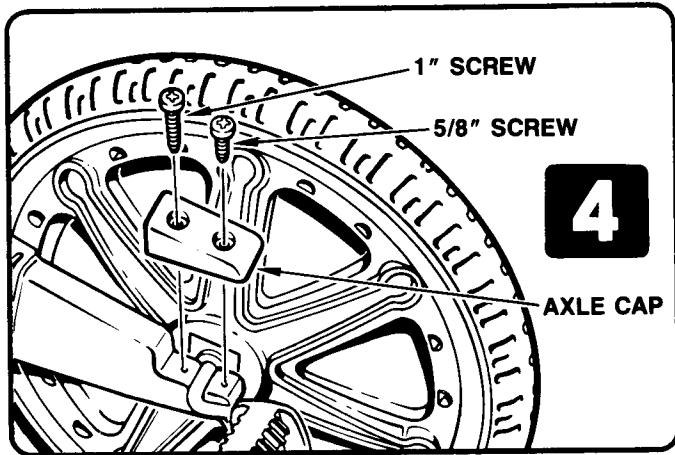


STEP 4. FASTEN FRONT WHEEL TO FORK

Position an axle cap over the crank-shaft (see illustration). Using a screwdriver, tap and drive a 1" screw into the upper hole in the axle cap. Tap and drive a 5/8" screw into the lower hole.

Attach axle cap to other side of fork in the same manner.

NOTE: Do not use excessive force when driving the screws. Do not overtighten.

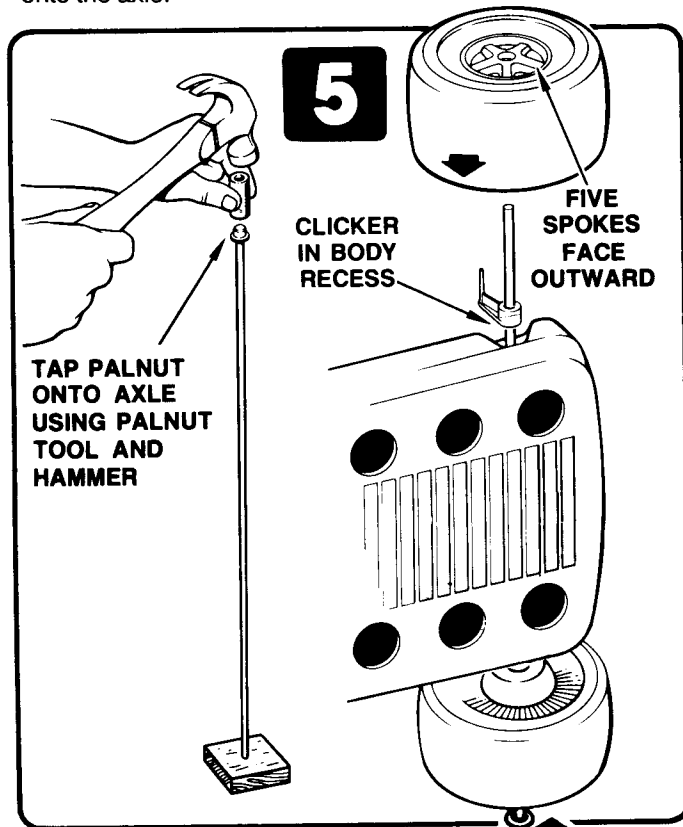


STEP 5. ASSEMBLE REAR WHEELS

Place the rear axle onto a small block of wood, as shown. Position a palnut over axle end and the palnut tool over the palnut. Secure palnut to axle by striking the tool with a hammer.

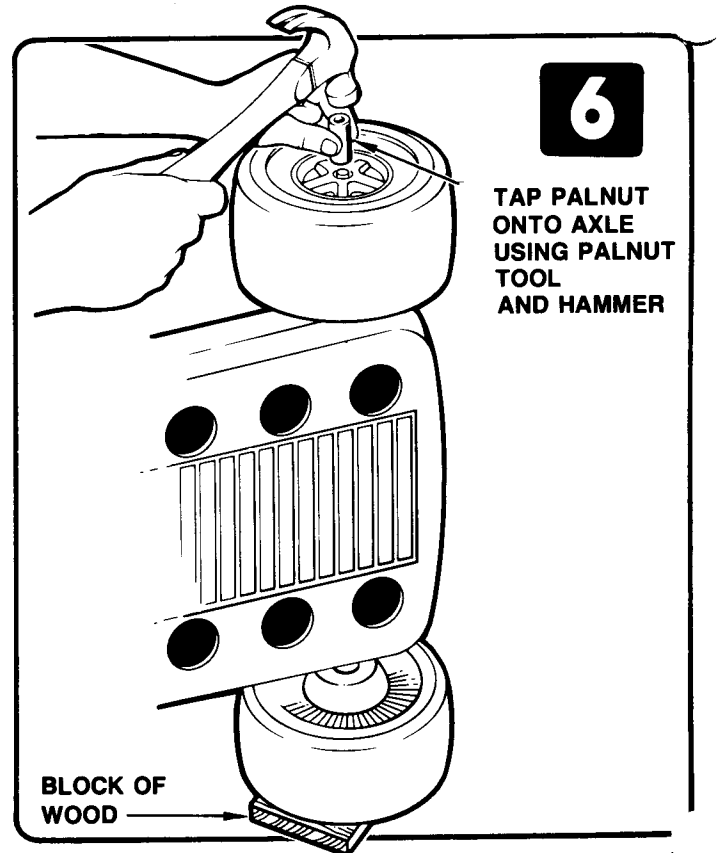
Slide the axle through the five spoked side of one wheel, push axle through holes at rear of body as shown. Then slide the clicker onto the axle as shown, seating clicker in body recess.

Place second rear wheel (with five spokes facing outward) onto the axle.



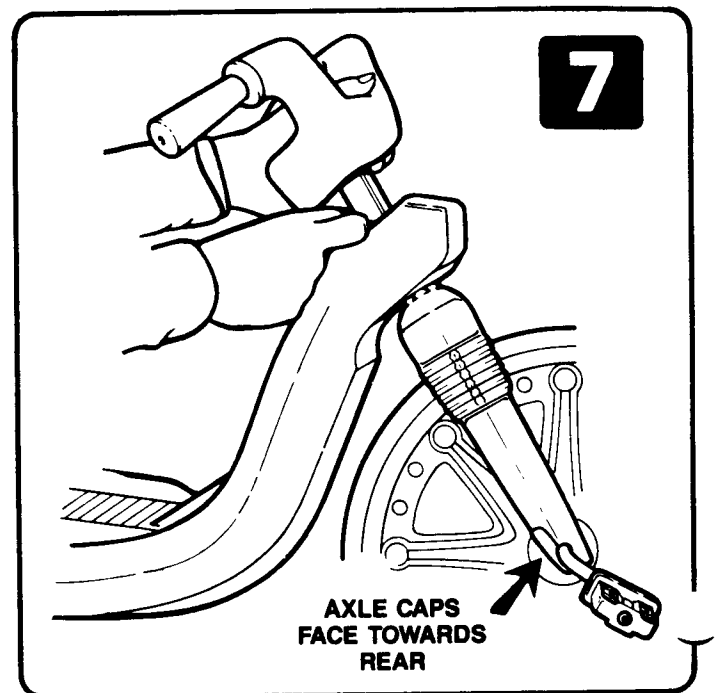
STEP 6. FASTEN REAR WHEELS TO BODY

Place the small block of wood under the palnut on the lower end of the axle. Position palnut over top of axle and fasten in place using palnut tool and hammer.



STEP 7. ATTACH FORK AND HANDLEBAR

Insert the front fork through body. The axle caps must face the back of the cycle. Then, slide the handlebar on to the fork post, handles facing back. Handlebar must be fully seated to fork.



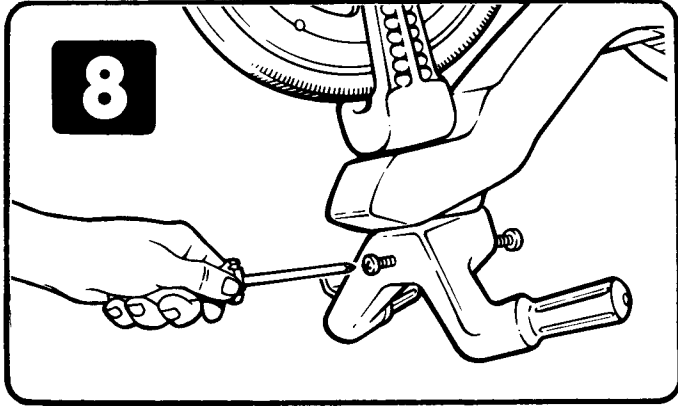
IMPORTANT NOTICE

PARENTS: PLEASE MAKE PERIODIC INSPECTIONS OF ALL POWER CYCLE HARDWARE TO ENSURE THAT IT IS SECURE.

STEP 8. FASTEN HANDLEBAR

Insert two (2) 1 $\frac{3}{4}$ " screws into pilot holes on each side of the handlebar until screws are engaged. Then turn cycle upside down on its handlebars. Push down on fork and screw the screws tightly into handlebar assembly.

BE CAREFUL NOT TO OVERTIGHTEN.



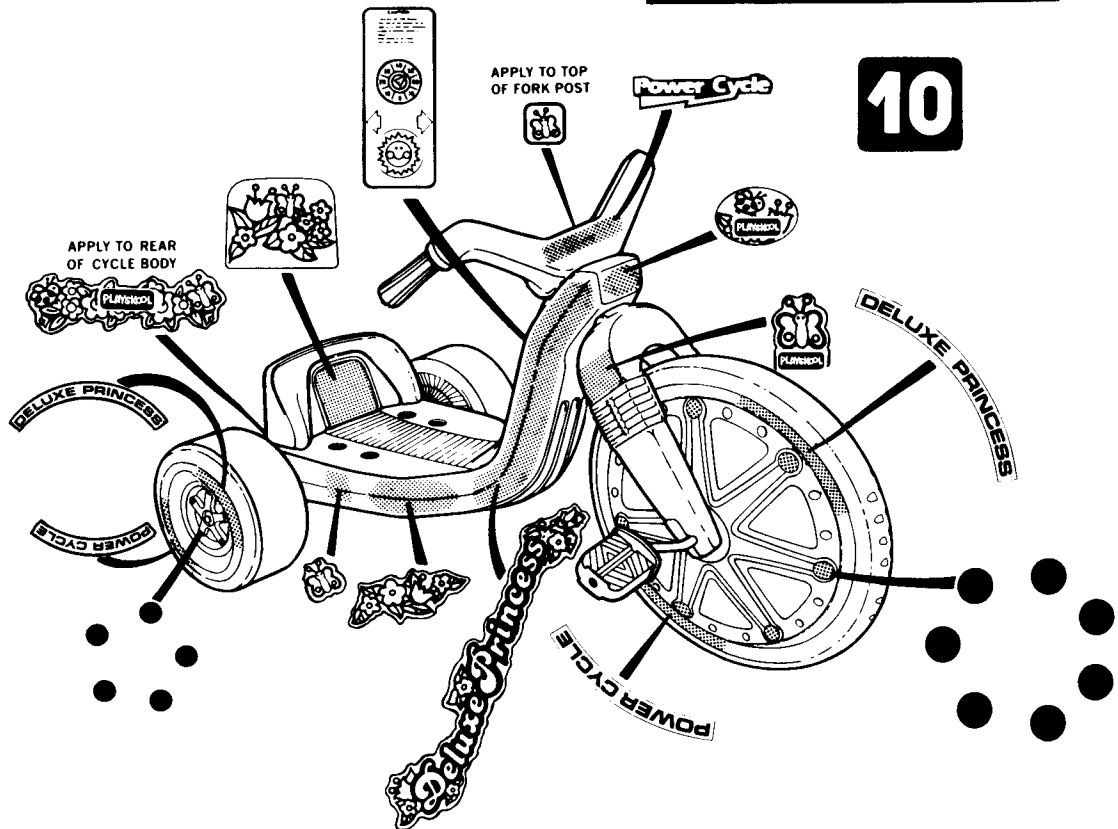
STEP 10. DECAL INSTRUCTIONS

NOTE: Thoroughly wipe decal areas with clean dry cloth before applying decals.

IMPORTANT

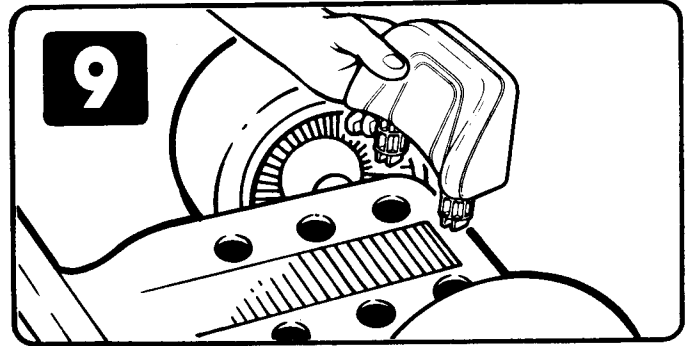
DECALS HAVE QUICK SETTING ADHESIVE. BE SURE OF POSITION BEFORE APPLYING. DECAL CANNOT BE LIFTED AFTER SETTING.

Using decal sheet, remove decals one at a time and apply to appropriate positions on Power Cycle. Make sure all decals are positioned on cycle as shown.



STEP 9. INSTALL SEAT BACK

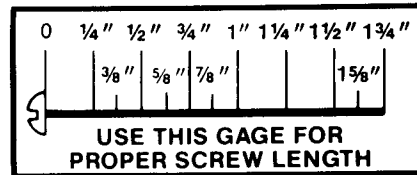
Push the seat posts into the desired set of holes to accommodate the driver.



PLEASE NOTE:

If you have any questions or comments concerning this product, call our Playskool Customer Service hotline
1-800-237-0063
 Monday through Friday, 8:30 am to 4:30 pm.
 Eastern Standard Time.
 In Rhode Island, call: 431-8697

All written inquiries should be mailed to:
 Playskool Consumer Services Division
 P.O. Box 5839, Pawtucket, Rhode Island 02862
 This will provide quick and reliable service for your product.
 Do not request same from your dealer.



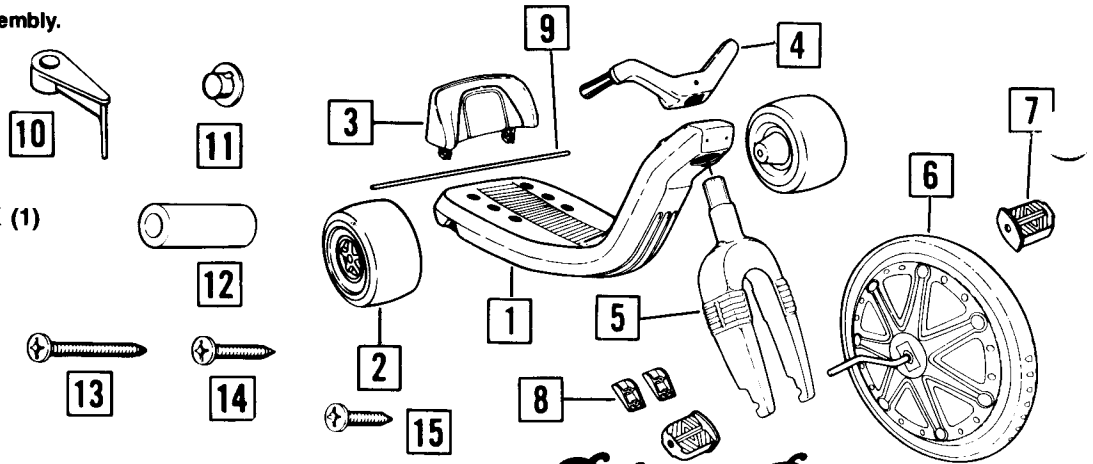
PLEASE RETAIN THIS GUIDE AND ALL LITERATURE FOR FUTURE REFERENCE

REPLACEMENT PARTS ORDER FORM

Please check all parts carefully before assembly.

KEY NO.

1. BODY (1)
2. REAR WHEELS (2)
3. SEAT BACK (1)
4. HANDLEBAR (1)
5. FRONT FORK (1)
6. FRONT WHEEL W/PEDAL CRANK (1)
7. PEDALS (2)
8. AXLE CAPS (2)
9. REAR AXLE (1)
10. CLICKER (1)
11. PALNUTS (4)
12. PALNUT TOOL (1)
13. 1 3/4" SCREWS (2)
14. 1" SCREWS (2)
15. 5/8" SCREWS (2)
16. DECAL SHEETS (1) — not shown



Deluxe Princess™
POWER CYCLE®

REPLACEMENT PARTS LISTED BELOW ARE THE ONLY ONES AVAILABLE

Prices and parts subject to change without prior notice.

KEY NUMBER	DESCRIPTION	KIT NO.	QUANTITY	PRICE	TOTAL
1	BODY: (Not available as a replacement part).	—	—	—	—
2	REAR WHEEL: (1 each).	40282902		\$1.80	
3	SEAT BACK: (1 each).	40282602		1.30	
4	HANDLEBAR: (1 each).	40282502		1.70	
5	FRONT FORK: (1 each).	40282702		2.60	
6, 8	FRONT WHEEL WITH CRANK: Includes Front Wheel with Crank (1 ea); Axle Cap (2 ea)	40284702		9.45	
16	DECORATIVE KIT: Includes Decal Sheet (1 ea);	KIT 711		2.80	
7, 11	PEDAL KIT: Includes Pedal (2 ea); Palnut (2 ea).	KIT 627		2.10	
9	REAR AXLE: (1 each).	40282800		.70	
13, 14, 15	HARDWARE KIT: Includes correct amount of each key number listed.	KIT 451		1.75	
10, 12	PALNUT BAG: Includes correct amount of each key number listed.	KIT 462		1.50	

MERCHANDISE TOTAL

APPROPRIATE STATE TAX

HANDLING AND SHIPPING 3.50

TOTAL

HOW TO ORDER PARTS

1. Fill out shipping label below. Print clearly, in ink, as label will be applied to the outside of your package. U.S. residents be sure to include ZIP code.
2. Extend prices, NY, PA, RI residents add applicable sales tax, plus shipping and handling.
3. Send complete form with check or money order only (DO NOT MAIL CASH OR COINS) to address below.
4. No C.O.D. orders will be accepted.
5. We reserve the right to substitute when necessary.

Submit mail order to: Playskool, Inc.
P.O. Box 5839, Pawtucket, RI 02862

NOTE: Prices and parts subject to change without prior notice.

PLAYSKOOL

TO:

NAME _____

STREET _____

CITY _____ STATE _____

ZIP CODE _____ COUNTY _____

POSTMASTER: CONTENTS MERCHANDISE — RETURN POSTAGE GUARANTEED
MAY BE OPENED FOR POSTAL INSPECTION IF NECESSARY

Deluxe Princess™
POWER CYCLE®

Model No. 50530

FOR OFFICE USE ONLY

DATE REC'D _____

AM'T REC'D _____

REC'D BY _____

DATE SHIPPED _____

VIA _____

NOTES _____