

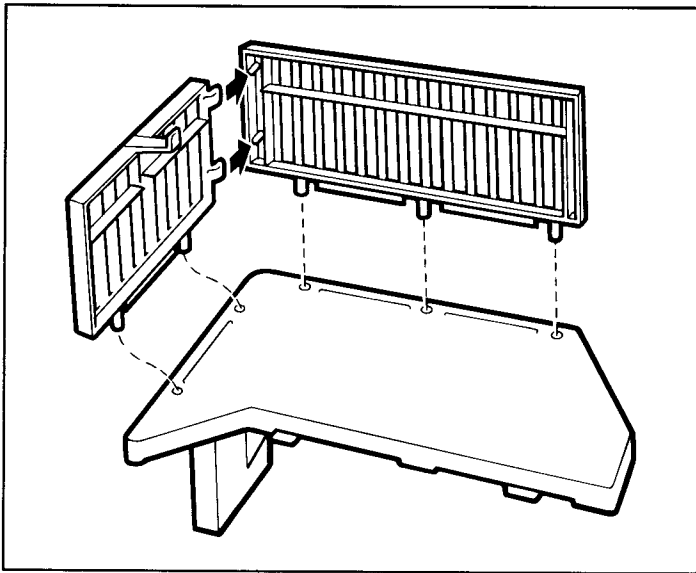


Ages 2 & Up

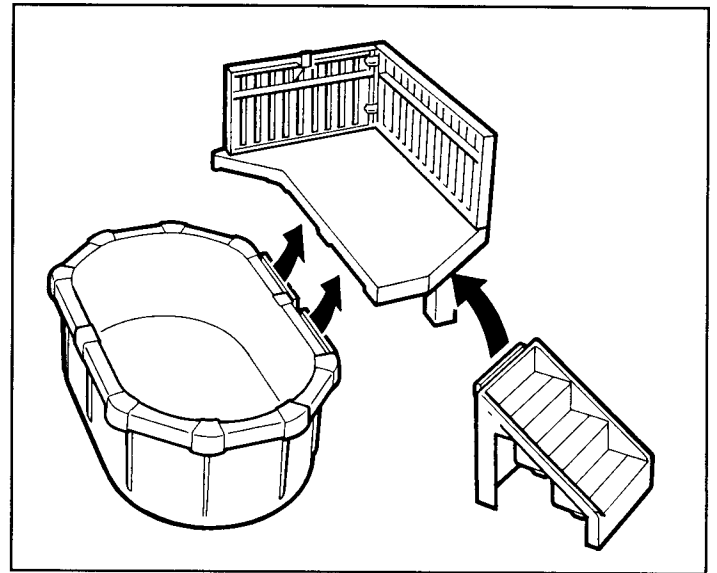
Color Surprise Pool Set™

Includes: Pool, girl figure, deck with railings and stairs, lounge chair, life preserver and fabric towel.

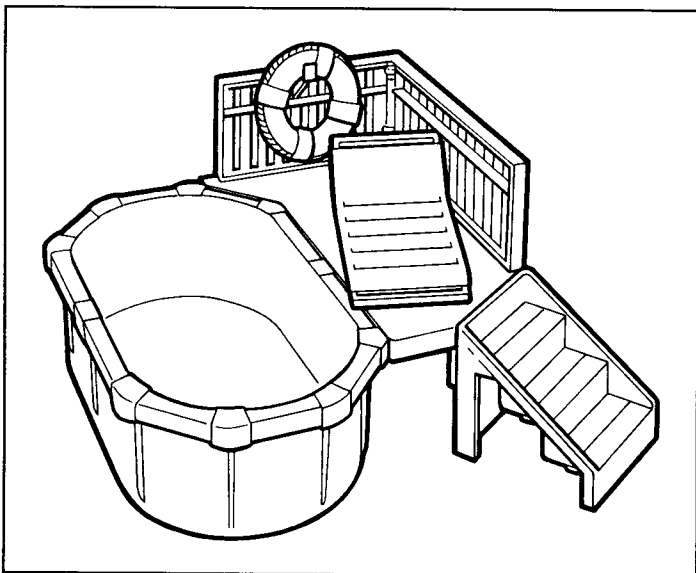
Assembly



1. Fit the 2 railing pieces together, pressing the tabs on the long railing into the hooks on shorter railing. Then attach the assembled railing to deck, pushing the posts on railing into holes on deck.



2. Assemble the deck to the pool as shown, fitting the deck into the 2 tabs in front of pool. Then add the stairs to the deck, again fitting the tab on stairs into bottom of deck.

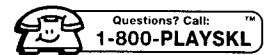


3. The life preserver can be hung on the railing hook, and the lounge chair fits right on top of the deck!

Color Surprise

Fill the pool with **warm water** (approximately 97° F). When you place the girl figure inside the pool for a swim, her bathing suit magically changes color from red to pink and white stripes!

Cold water or exposure to room temperature will change the bathing suit back to original color.



© 1995 Hasbro, Inc., Pawtucket, RI 02862 USA.

All Rights Reserved.

® denotes Reg. U.S. Pat. & TM Office.

P/N 46348500 **MADE IN CHINA.**

1789/1407 Asst.