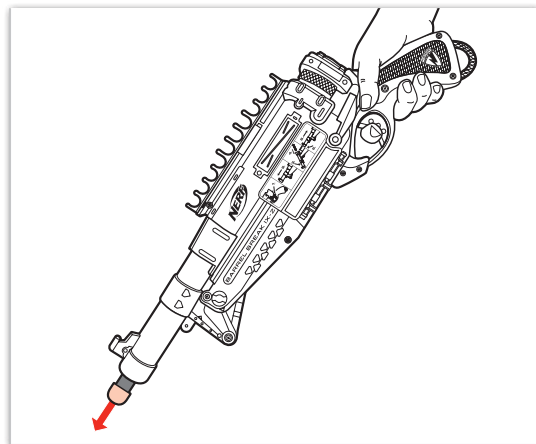
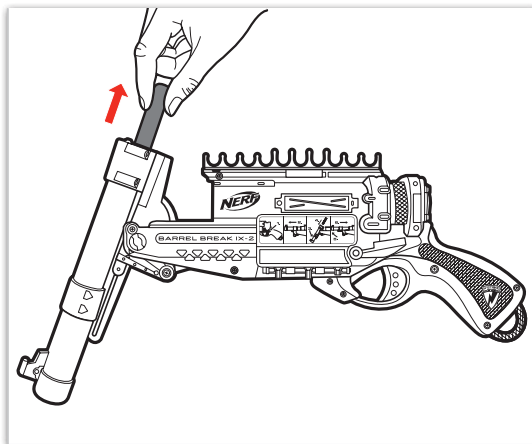


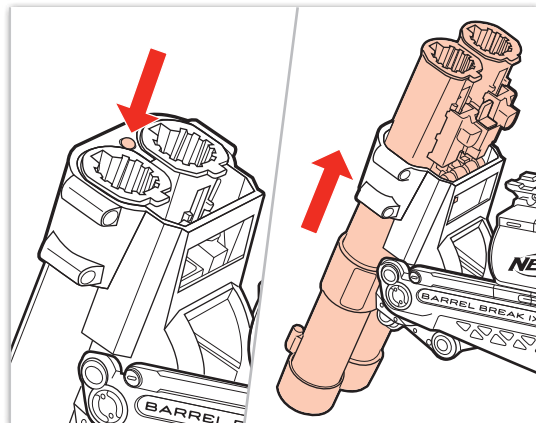
CLEARING A JAM



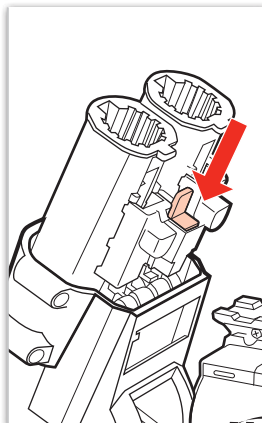
1 Pull barrel back to the start position and point it at the ground to let darts fall out.



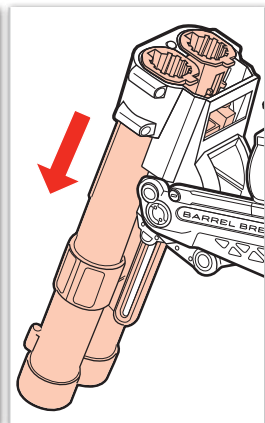
2 Swing the barrel down and pull out darts.



3A Press and hold button to release barrel and push barrel up.



3B Press to release dart.



3C Push the barrel back down after clearing jam.



© 2010 Hasbro. All Rights Reserved.
TM & © denote U.S. Trademarks.
U.S. Pat. Nos. 5529050, 7287526
and patent pending.
186110610 PN 7082890000



Not suitable for children
under 3 years because of
small parts - choking hazard.

Product and colors may vary.

NERF.COM
FOR NEW PRODUCTS AND OFFERS
Questions? Call: 1-800-327-8264

NERF



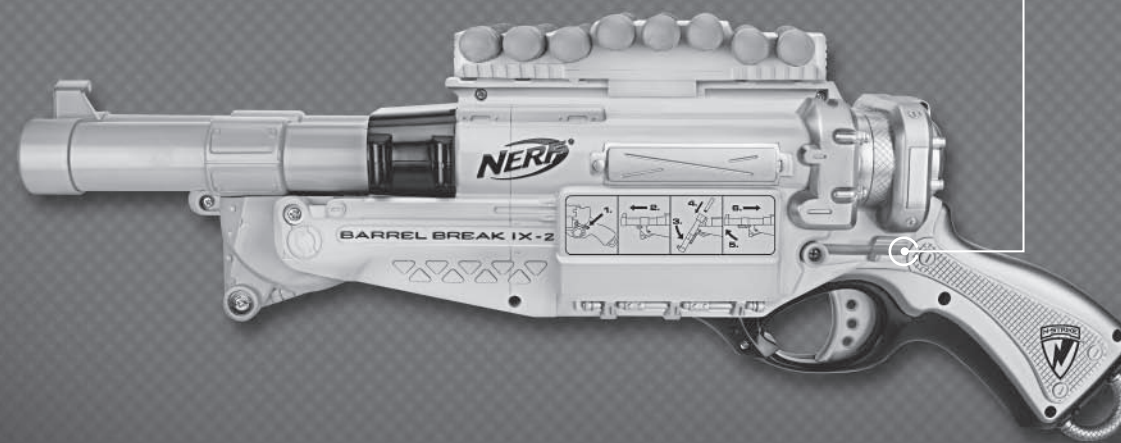
CAUTION:
Do not aim at eyes or face.
TO AVOID INJURY: Use only darts
designed for this product. Do not
modify darts or dart blaster.

AGES 6+



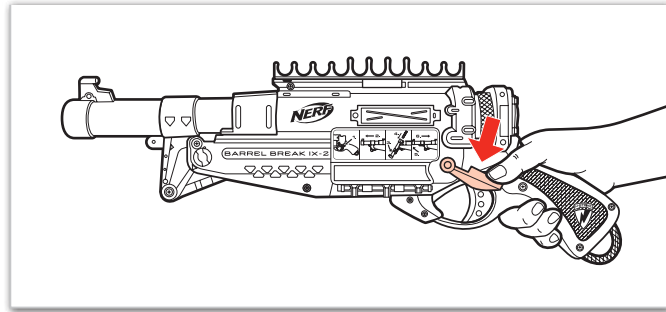
BARREL BREAK IX-2™

BARREL RELEASE LEVER

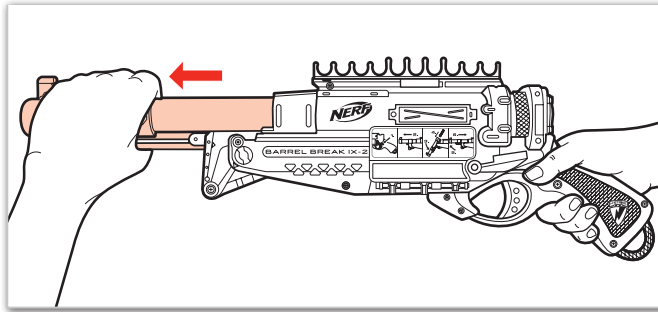


Be sure to read and follow all instructions carefully before using this product.

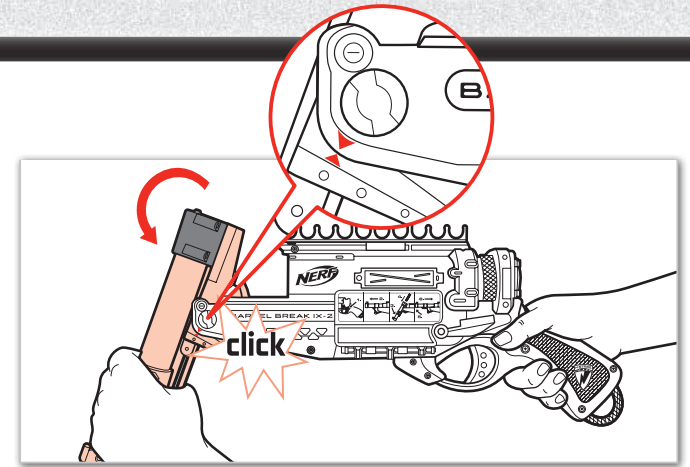
LOADING AND FIRING



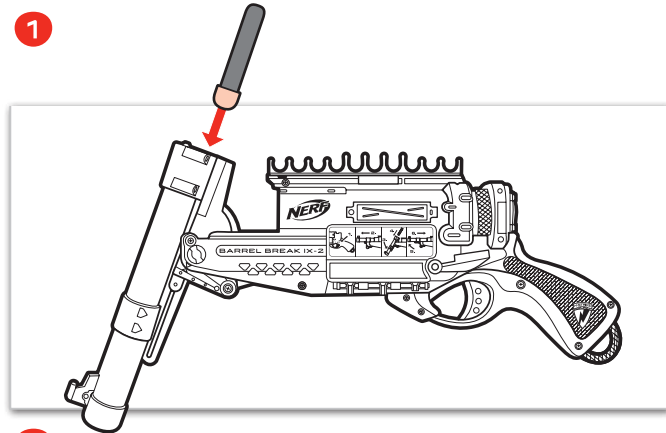
1



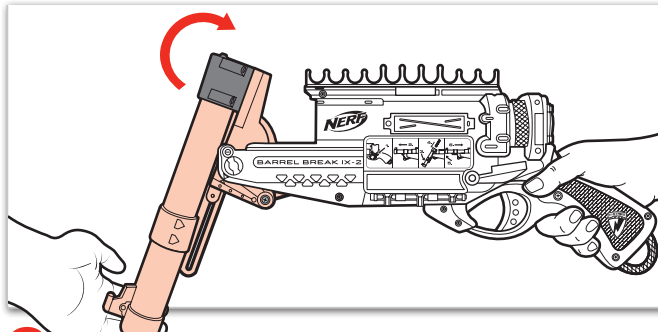
2



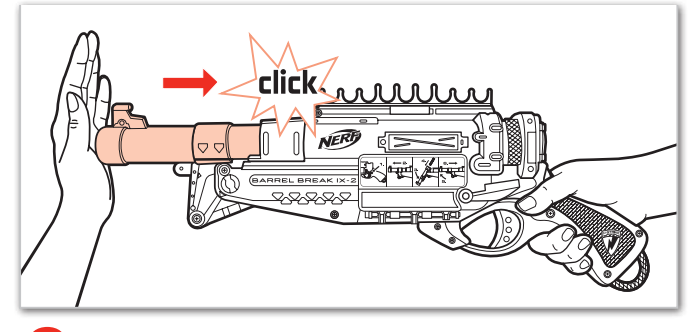
3 Swing barrel down until arrows line up.



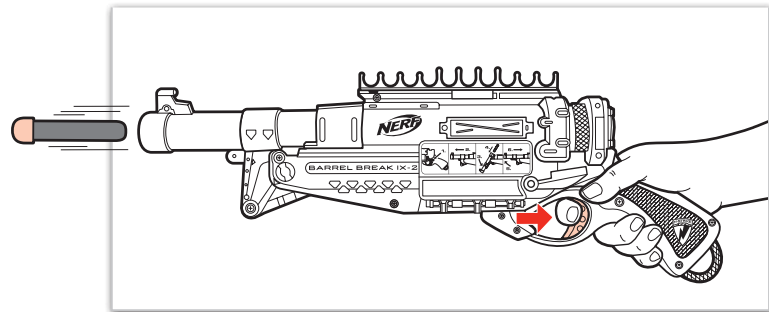
4 Completely insert darts directly into the barrels.



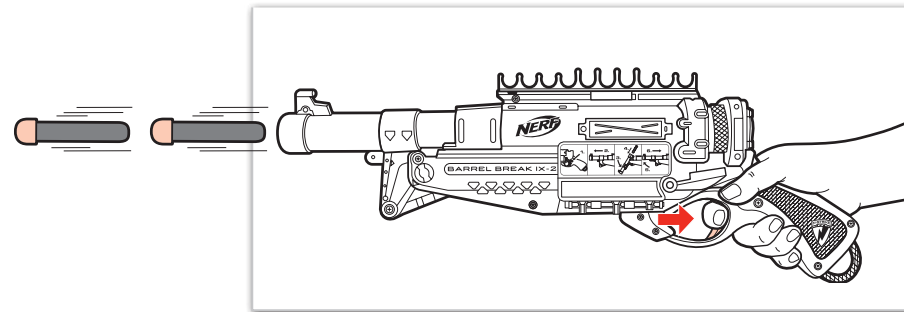
5



6



7 Pull the trigger halfway to fire 1 dart.



8 Pull the trigger all the way to fire both darts.