

NERF

⚠ CAUTION:

Do not aim at eyes or face. TO AVOID INJURY:
Use only darts designed for this product. Do
not modify darts or dart blaster.

AGES 8+

BE SURE TO READ AND FOLLOW ALL INSTRUCTIONS
CAREFULLY BEFORE USING THIS PRODUCT.

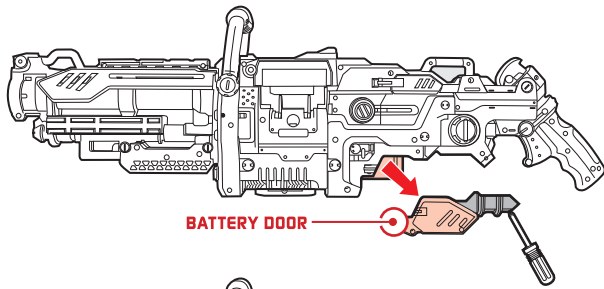


x6 ALKALINE BATTERIES REQUIRED
1.5V D or LR20 size
NOT INCLUDED

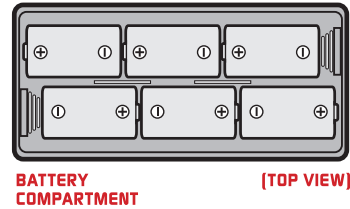
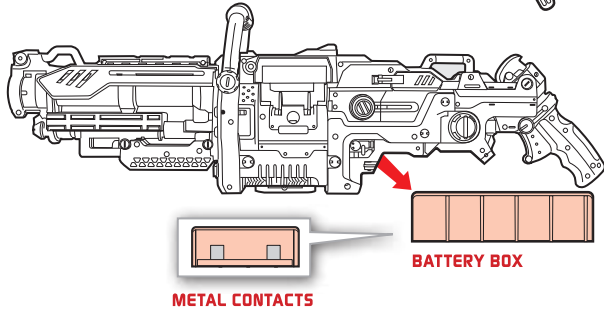
Phillips/cross head screwdriver (not included)
needed to insert batteries.

VULCAN EBF-25®

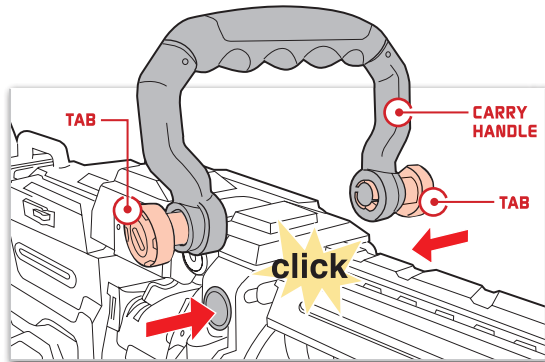
INSERT BATTERIES



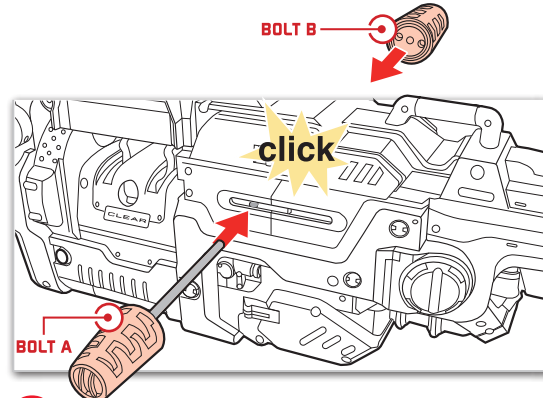
- 1 Loosen screw in BATTERY DOOR.
- 2 Remove door and slide out BATTERY BOX.
- 3 Insert 6 x 1.5V fresh "D" or LR20 size alkaline batteries.
- 4 Slide box back in, metal contacts in first.
- 5 Replace door and tighten screw.



ASSEMBLY



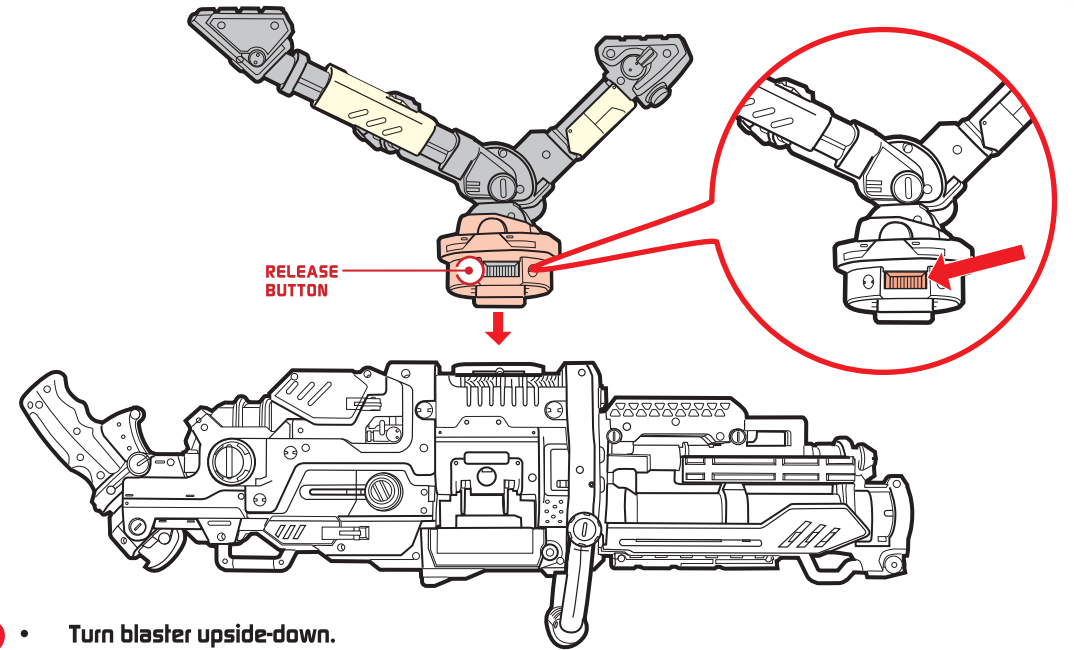
- 1 Attach CARRY HANDLE to blaster. Push tabs in until they click.*



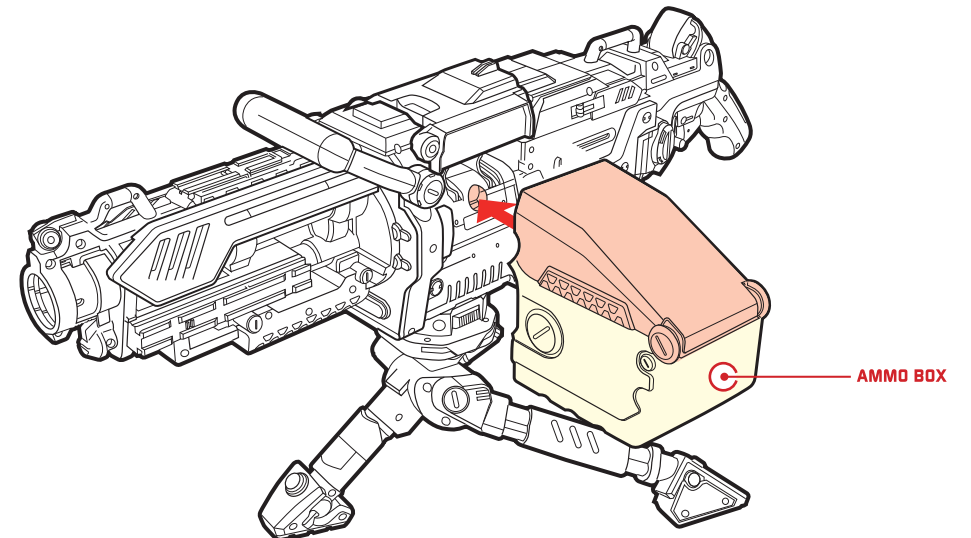
- 2 Insert stem of BOLT A into blaster and fasten BOLT B on other side of BOLT A until it clicks.*

*These parts cannot be removed once they are attached.

ASSEMBLY

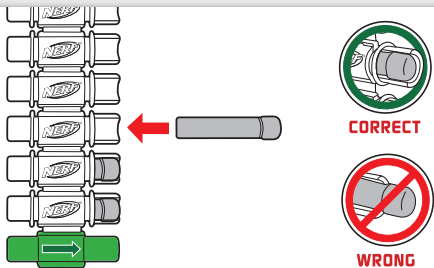


- 3
 - Turn blaster upside-down.
 - Press and hold down both RELEASE BUTTONS on TRIPOD.
 - Lower TRIPOD onto bottom of blaster. Short, single leg of TRIPOD should face forward. Clip TRIPOD firmly to tripod mount on bottom of blaster.
 - Tug TRIPOD to make sure it's secure.
 - TRIPOD can be removed by reversing these steps.



- 4 Attach AMMO BOX to left side of the blaster until it clicks.

LOADING AMMO



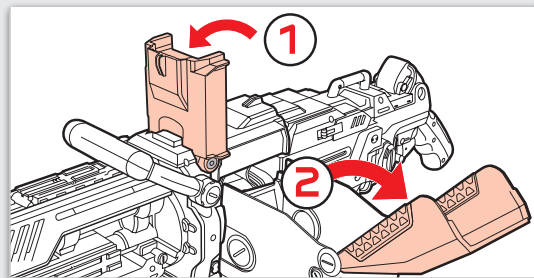
CORRECT



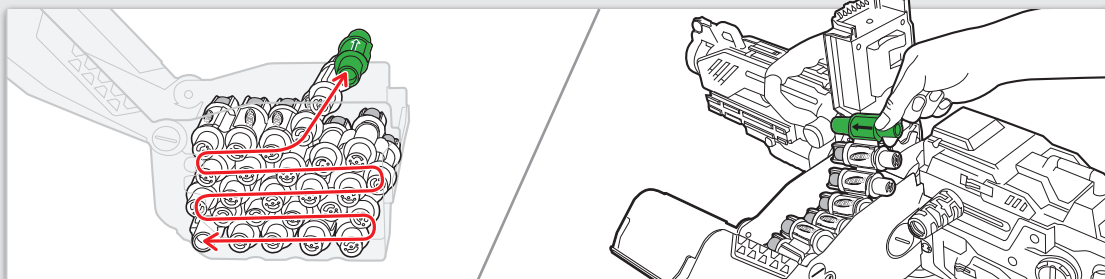
WRONG

1 Insert 25 darts into AMMO BELT.

NOTE: Be sure darts are completely pushed in.

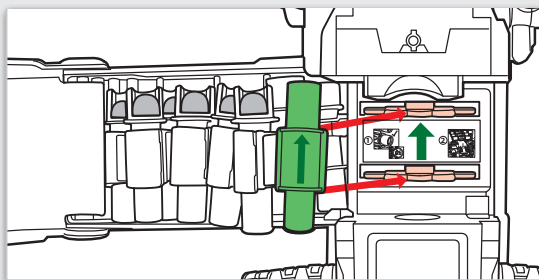


2 Open BREECH COVER then flip open AMMO BOX cover.

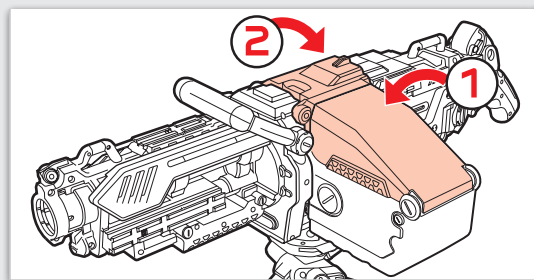


3 To feed AMMO BELT into AMMO BOX correctly:

- Hold green cartridge with dark green arrow facing up.
- Feed belt into box so green cartridge is the last part in – green cartridge will feed into blaster first.



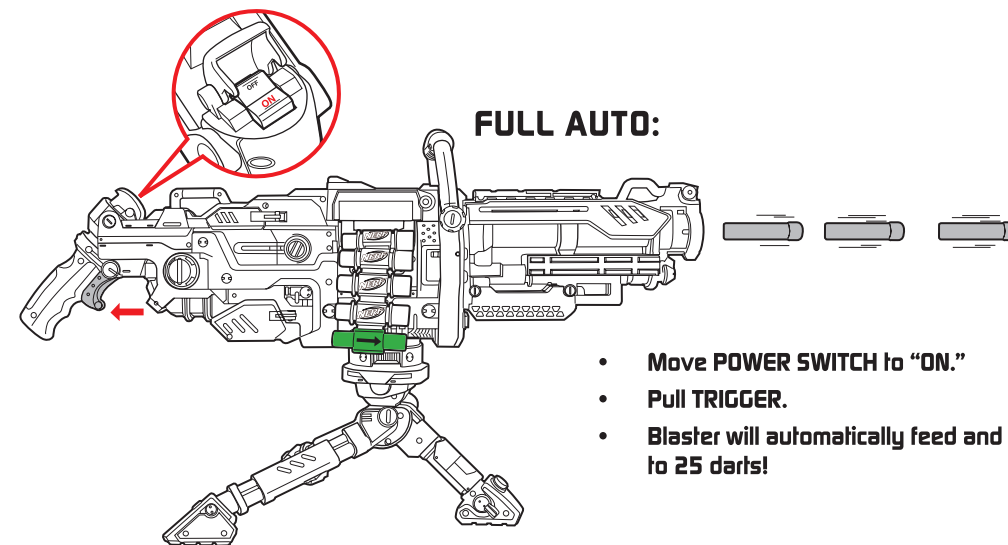
4 Place green cartridge into groove of feeding gear. Match direction of arrow on cartridge with direction of arrow on blaster.



5 Close both covers.

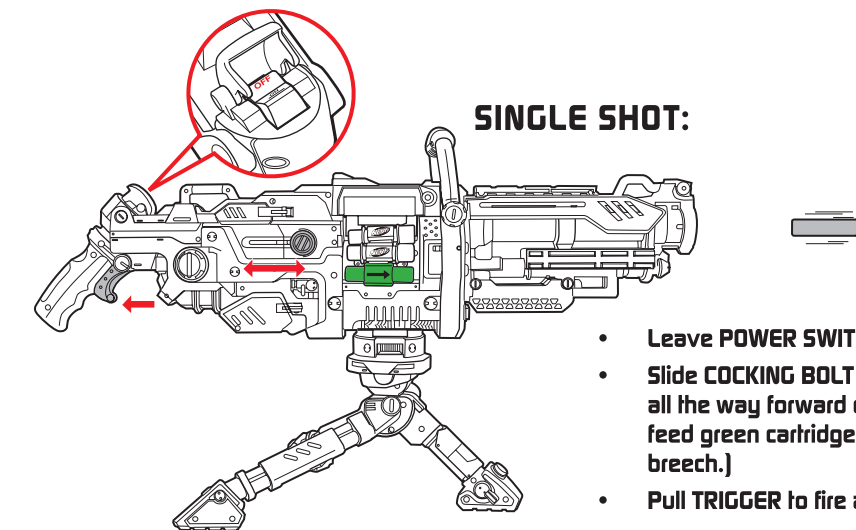
NOTE: Blaster will not fire if BREECH COVER is not securely closed.

FIRING



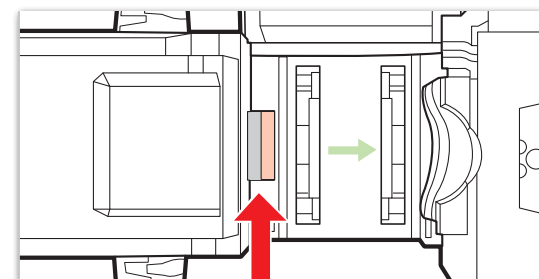
FULL AUTO:

- Move POWER SWITCH to “ON.”
- Pull TRIGGER.
- Blaster will automatically feed and fire up to 25 darts!



SINGLE SHOT:

- Leave POWER SWITCH at “OFF.”
- Slide COCKING BOLT all the way back and all the way forward once. (This should feed green cartridge out right side of breech.)
- Pull TRIGGER to fire a single dart.



NOTE: If you see an orange and white piston sticking out behind where the belt sits on the gear, do one of the following to make piston retract:

- Pull COCKING BOLT back slightly (in Full Auto mode).
- Pull TRIGGER (in Single Shot mode).

TROUBLESHOOTING

If your N-STRIKE VULCAN EBF-25 doesn't fire, check the following:

1. If in Full Auto mode, make sure POWER SWITCH is "ON" and batteries are fresh.
2. Be sure darts are completely inserted into AMMO BELT.
3. Be sure AMMO BELT is correctly inserted into AMMO BOX and green cartridge is correctly inserted into groove of feeding gear.
4. BREECH COVER should be completely closed.

JAM CLEARANCE

Darts may become jammed in the barrel of the N-STRIKE VULCAN EBF-25. To clear them:

1. Turn POWER SWITCH to "OFF."
2. Open BREECH COVER and remove AMMO BELT.
3. Tilt blaster so barrel is pointed at floor and shake.
4. If dart is still jammed, insert a long, thin object into the barrel from the feeding mechanism. Push it forward until jammed dart(s) fall out from front of barrel.

IMPORTANT: BATTERY INFORMATION



CAUTION:

1. Always follow the instructions carefully. Use only batteries specified and be sure to insert them correctly by matching the + and - polarity markings.
2. Do not mix old batteries and new batteries or standard (carbon-zinc) with alkaline batteries.
3. Remove exhausted or dead batteries from the product.
4. Remove batteries if product is not to be played with for a long time.
5. Do not short-circuit the supply terminals.
6. Should this product cause, or be affected by, local electrical interference, move it away from other electrical equipment. Reset (switching off and back on again or removing and re-inserting batteries) if necessary.
7. RECHARGEABLE BATTERIES: Do not mix these with any other types of batteries. Always remove from the product before recharging. Recharge batteries under adult supervision. DO NOT RECHARGE OTHER TYPES OF BATTERIES.



Product and colors may vary.
© 2010 Hasbro. All Rights Reserved.
TM & © denote U.S. Trademarks.
U.S. Pat. Nos. 5529050, 6083127 and Patent Pending.
25264 PN 7099150000

NERF.COM
FOR NEW PRODUCTS AND OFFERS
Questions? Call: 1-800-327-8264