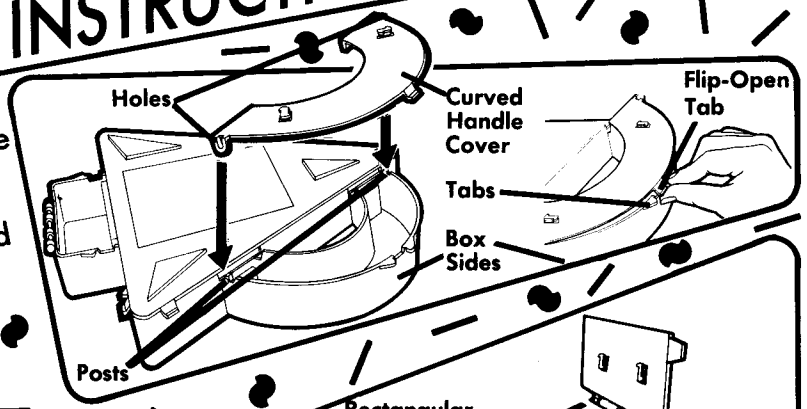




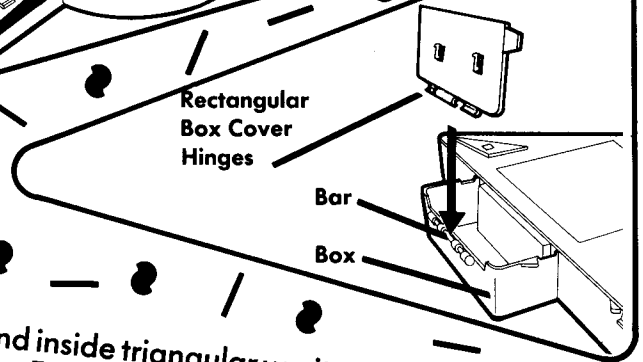
# FAZZ 'N GO VANITY INSTRUCTIONS

9150

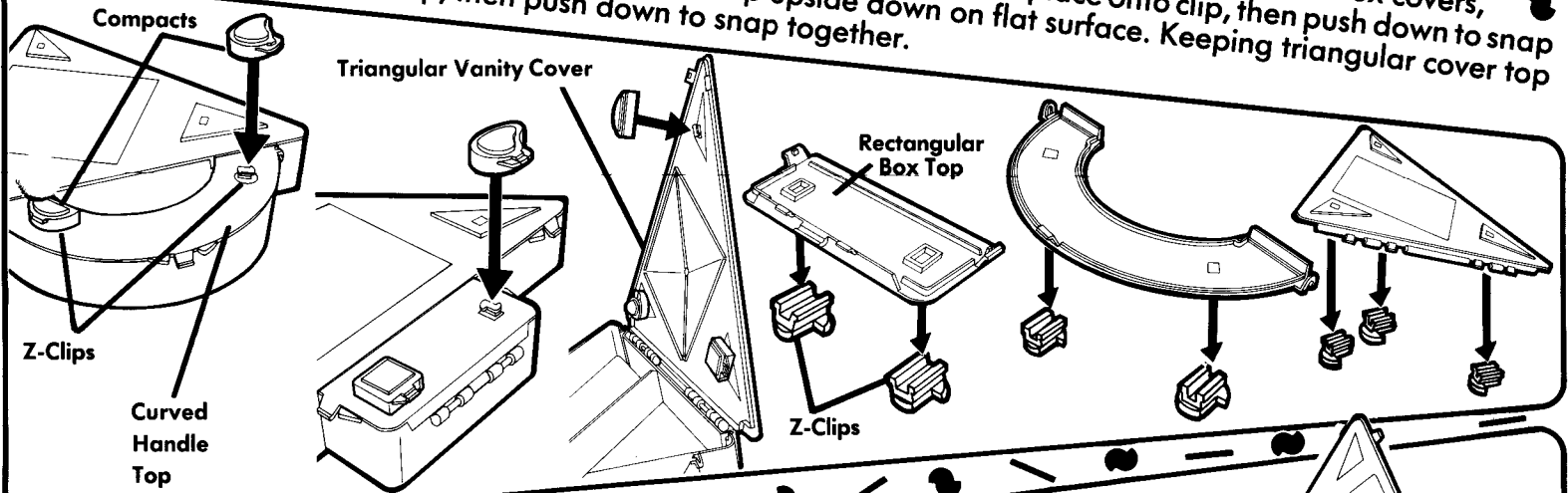
**1** Line up holes on curved handle cover with posts on handle box sides and snap together. To open, place forefinger on either one of the indicated tabs and thumb on flip-open tab, then using your thumb, lift up the flip-open tab as shown. Triangular vanity lid and rectangular box cover open this way too.



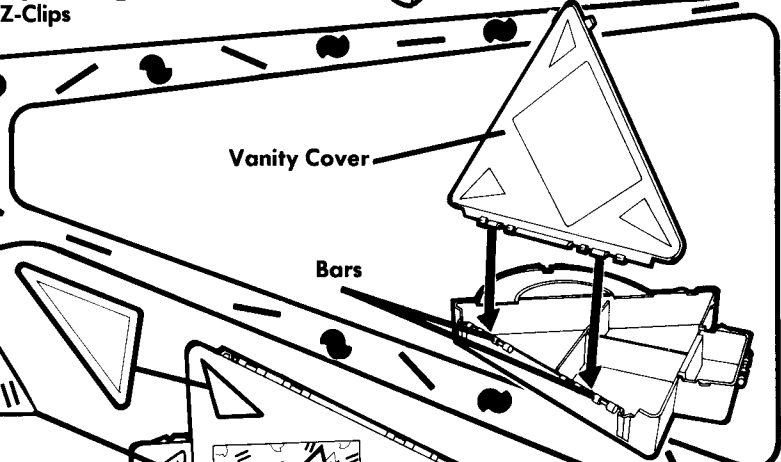
**2** Snap rectangular box cover hinges onto bar on box as shown. To close, swing down and snap onto box.



**3** Fit compacts over Z-clips on curved handle cover, box cover and inside triangular vanity cover, then turn to lock compacts over Z-clips on curved handle cover, box cover and inside triangular vanity cover and turn to lock compacts onto Z-clip. If Z-clips come off, remove cover. For rectangular vanity cover and curved box covers, place Z-clip upside down on flat surface. Turn cover upside down and place onto clip, then push down to snap together. For triangular vanity cover, place Z-clip upside down on flat surface. Keeping triangular cover top facing up, place onto clip, then push down to snap together.



**4** All covers are designed to "pop-off" if enough pressure is applied. If the vanity cover comes off, snap it back on the bars as shown above in steps 1 and 2.



**5** Peel and apply labels as shown.

