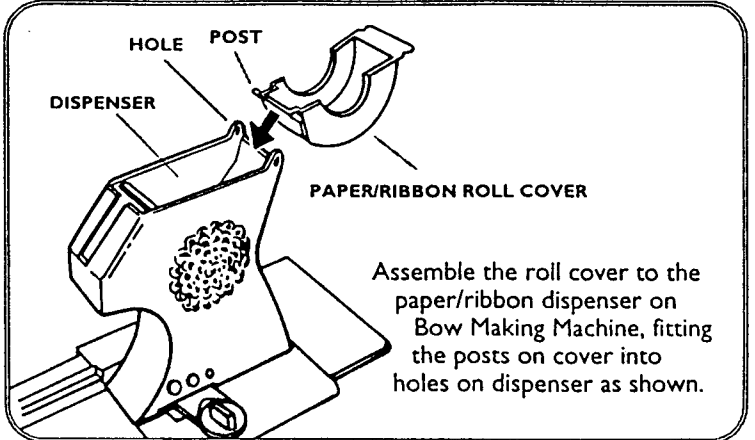
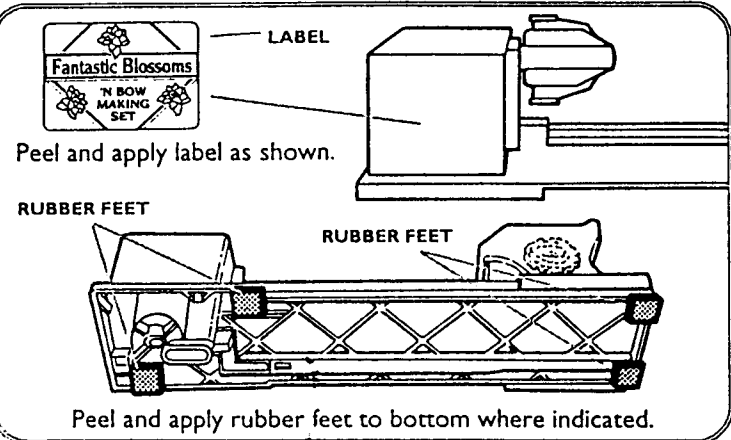




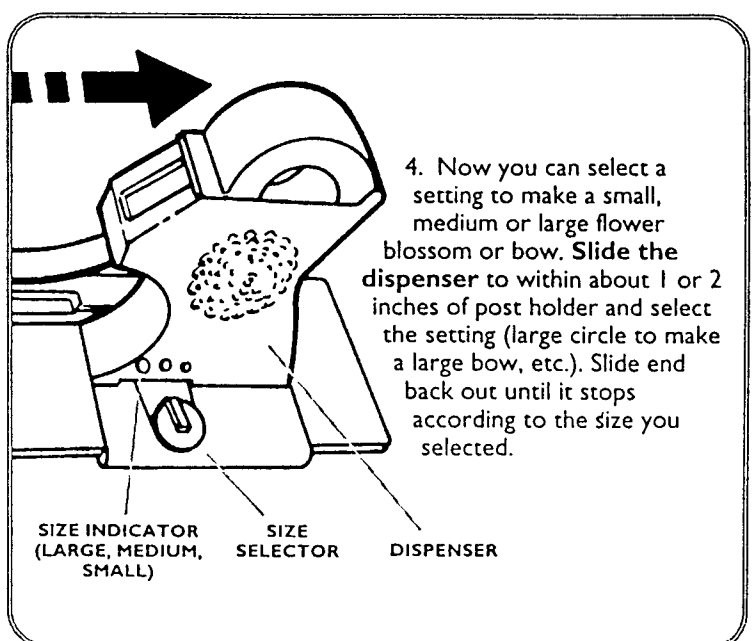
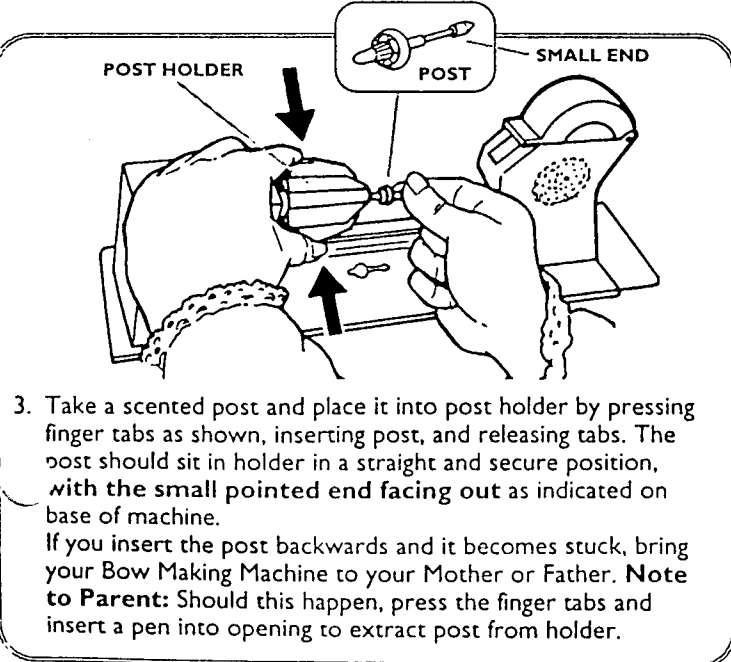
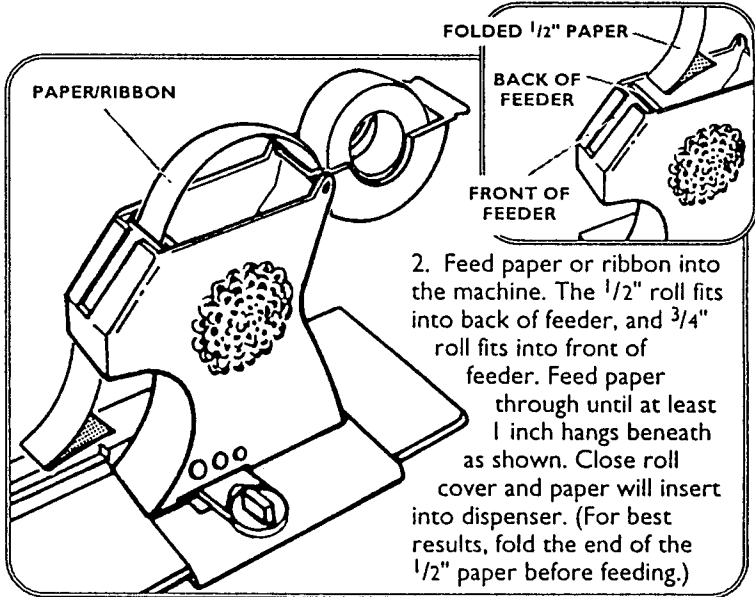
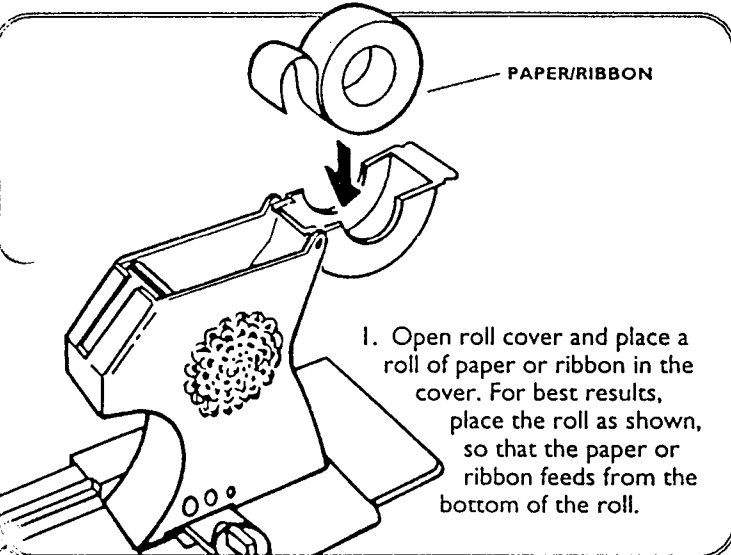
Instructions

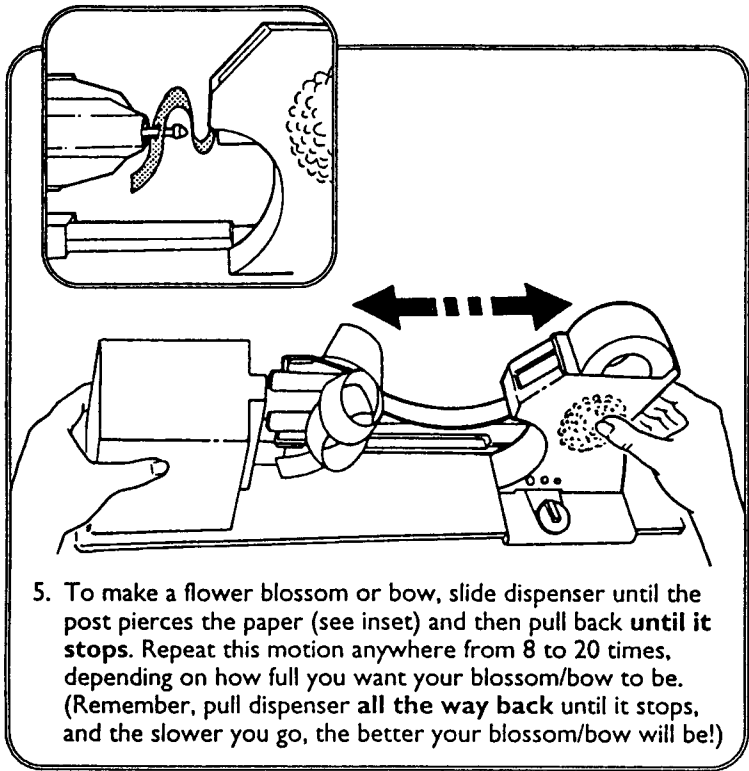
Includes Bow Making Machine, 8 stems, 24 scented posts, 3 rolls of paper (36' each) and 1 roll of ribbon (36').

PLEASE NOTE: To remove parts from runner frame, simply twist off. After removing parts, use safety scissors to trim all excess plastic.

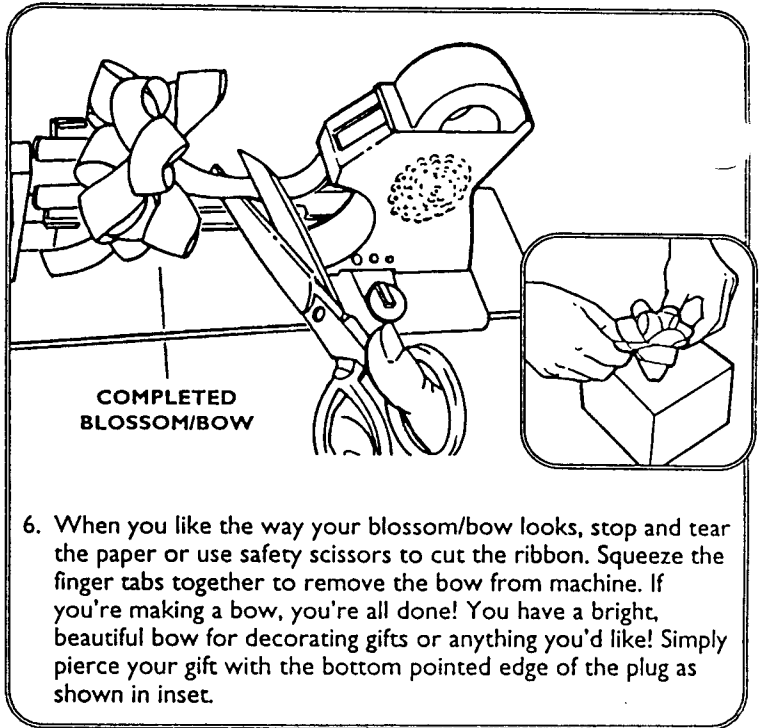


How to Make a Fantastic Flower Blossom or Bow:



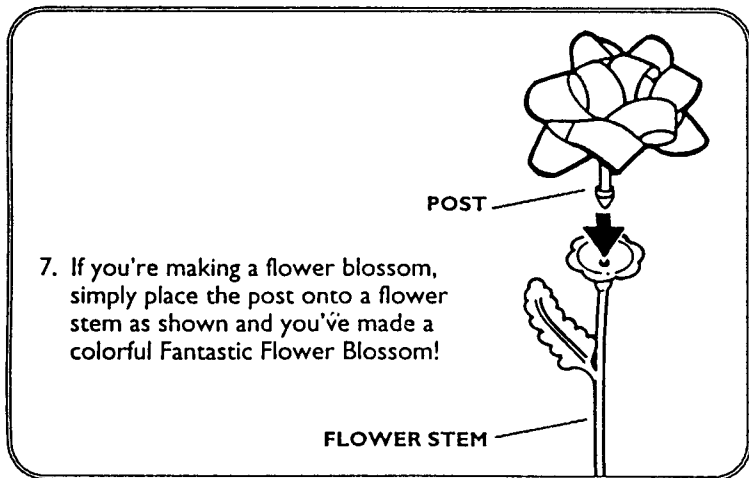


5. To make a flower blossom or bow, slide dispenser until the post pierces the paper (see inset) and then pull back **until it stops**. Repeat this motion anywhere from 8 to 20 times, depending on how full you want your blossom/bow to be. (Remember, pull dispenser **all the way back** until it stops, and the slower you go, the better your blossom/bow will be!)



COMPLETED BLOSSOM/BOW

6. When you like the way your blossom/bow looks, stop and tear the paper or use safety scissors to cut the ribbon. Squeeze the finger tabs together to remove the bow from machine. If you're making a bow, you're all done! You have a bright, beautiful bow for decorating gifts or anything you'd like! Simply pierce your gift with the bottom pointed edge of the plug as shown in inset.



7. If you're making a flower blossom, simply place the post onto a flower stem as shown and you've made a colorful Fantastic Flower Blossom!

FLOWER STEM

8. You may also make a multi-colored blossom or bow by changing the paper or ribbon roll as you go! Use the small size setting to make the center of the flower blossom one color, then change setting to medium or large and use a different color!
9. Because of the delicate nature of ribbon, you may experience some splitting when you make your first blossoms or bows. To avoid ribbon splitting, slide the dispenser slowly when making your blossom/bow. Remember, practice makes perfect! The more you make, the more beautiful your blossoms and bows will be!

Note: Fantastic Blossoms™ Refill Set is available, and includes 16 scented posts, 4 stems and 2 rolls of paper (36' each). The Bow Making Machine may also be used with most standard size rolls of paper or ribbon (3/4" or less). However, the posts **cannot** pierce certain types of cloth-based ribbon. Also, when buying paper or ribbon not specifically made to be used with this set, the paper or ribbon will usually have to be taken off its roll in order to fit into the Bow Making Machine.

NONTOXIC CONFORMS TO ASTM D-4236-89