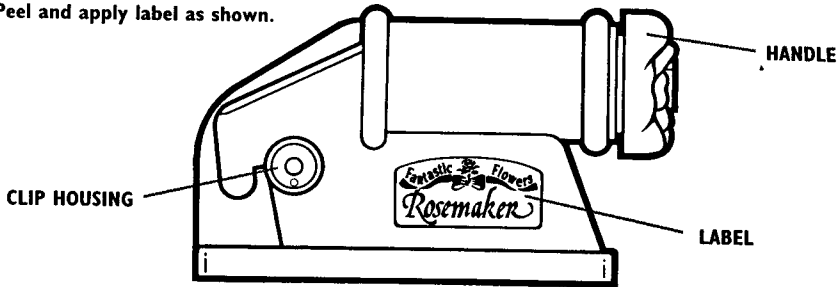




Instructions

Please note: To remove parts from frame, simply twist off. After removing parts, use safety scissors to trim all excess plastic.

Peel and apply label as shown.



How to Make a Rose

CLIP HOUSING

POINT
ON CLIP

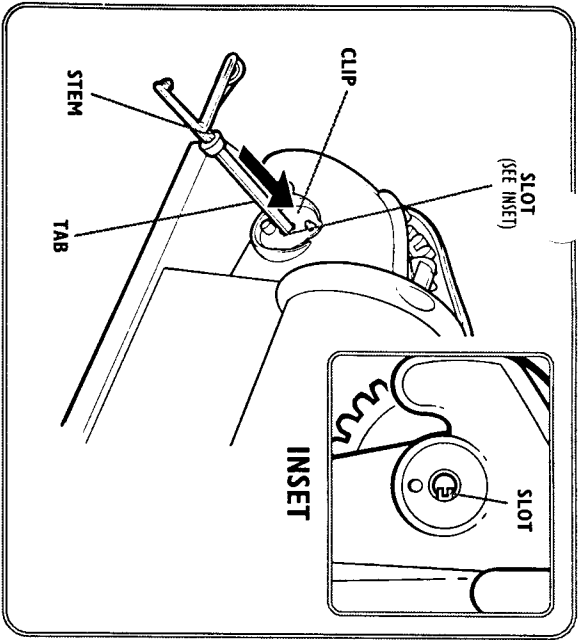
FLOWER CLIP

LINE UP ARROWS

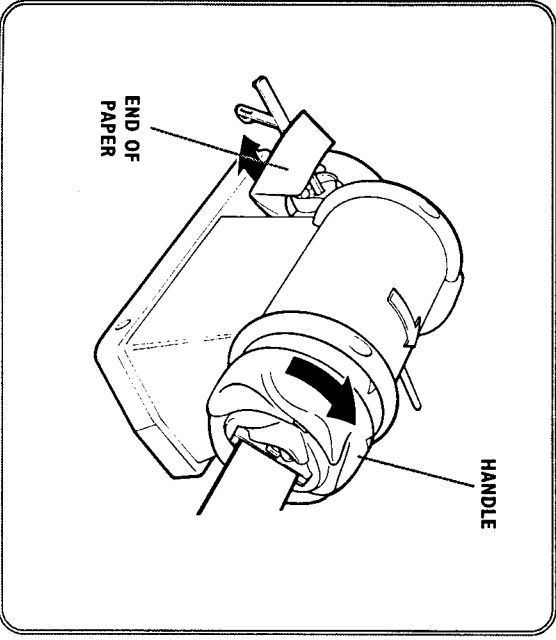
HANDLE

1 Place Rose Making Machine with label facing you. Take a flower clip and snap it into the clip housing located on the front of the Rose Making Machine. The point on the clip should be facing out toward you.

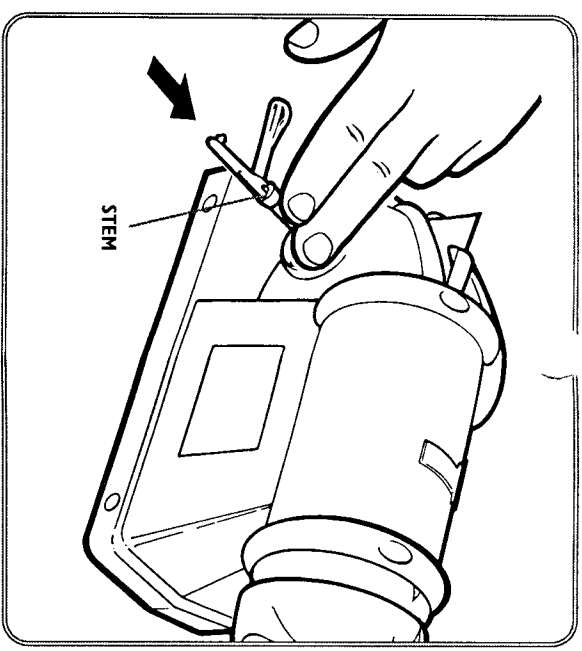
2 Line up arrow on handle with arrow on machine as shown. This ensures that the paper feeders are even with each other.



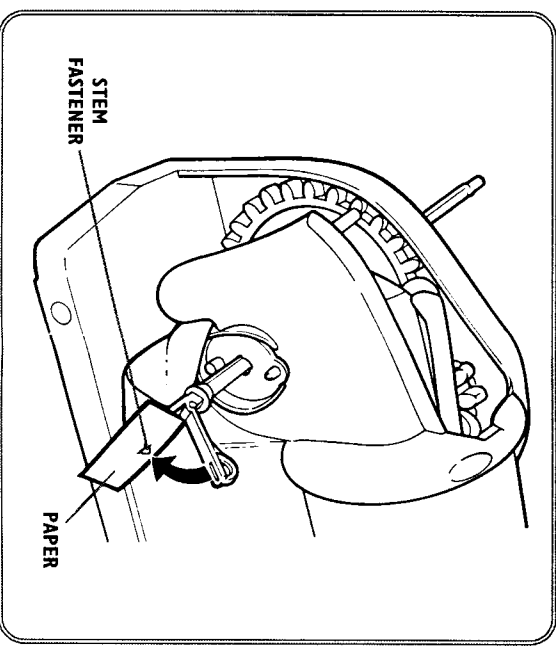
3 Choose a stem and insert it through the clip and into the machine as shown. Be sure to align the tab on the stem with the slot that runs through the stem housing inside the machine. The stem should slide in easily.



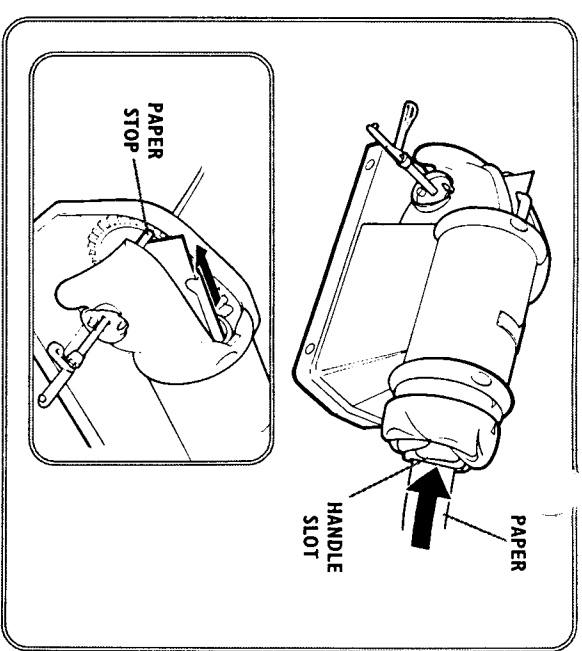
6 Turn the handle in a clockwise direction (as arrow on machine indicates) for 3 or 4 rotations, or until the end of the paper comes through the machine and can be clipped onto the end of the stem.



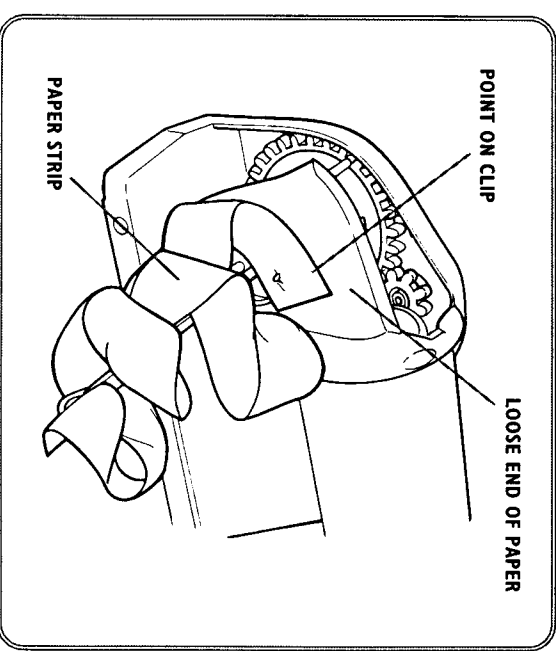
4 Continue sliding stem through the machine. Leave approximately 1" (or about the width of two fingers) of stem outside the machine as shown.



7 Clip the paper onto the end of the stem by pressing the paper onto the stem fastener, the point of the fastener piercing the paper as shown. Close fastener until it clicks firmly into place.

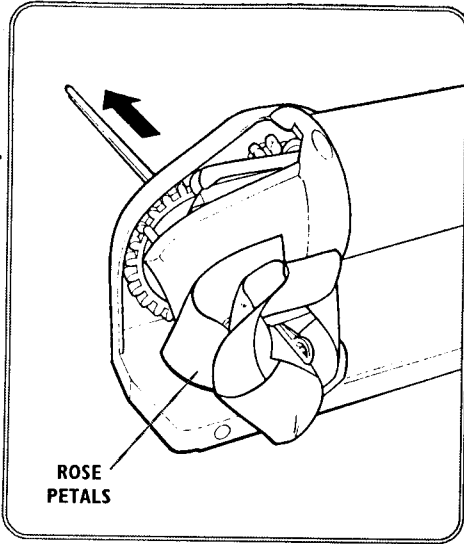


5 Take a strip of paper and feed it through the handle slot until it hits the paper stop.

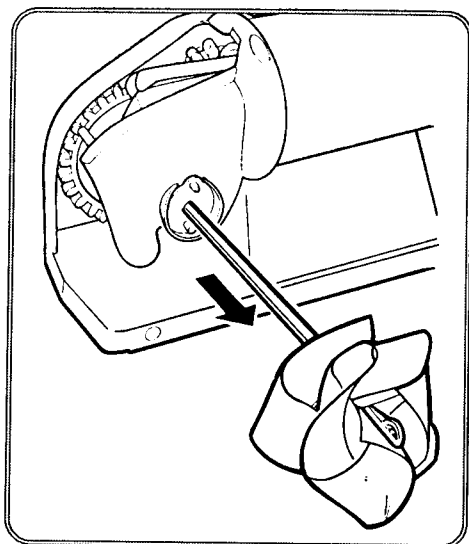


8 Now turn the handle until the whole paper strip is run through and out of the machine. The folding paper will form the rose petals as you turn the handle. **(NOTE: As paper runs through the machine, you may need to push the stem outward for the petals to form properly.)** Take the end of the paper and press it onto the point on the flower clip as shown.

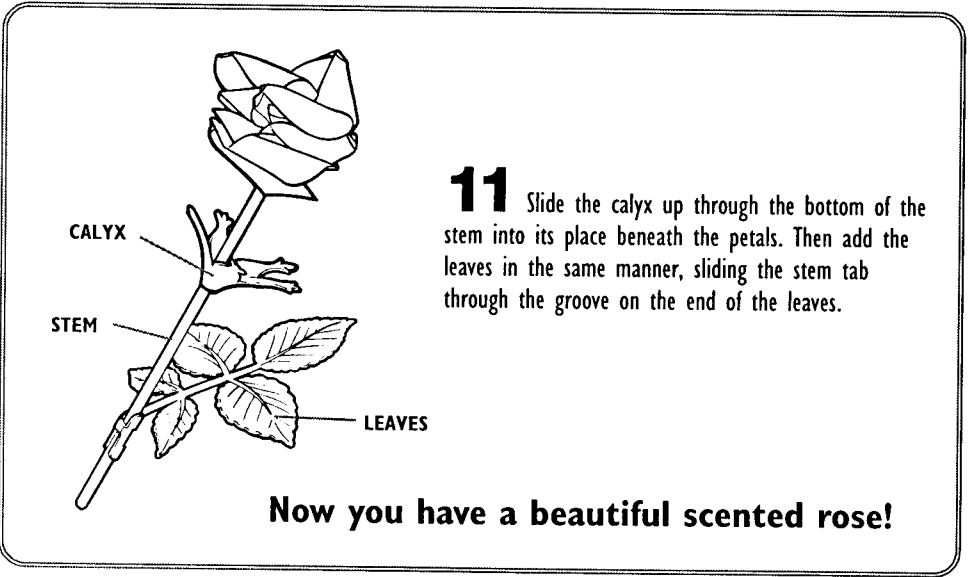
8/26/00



9 Pull stem back until clip snaps securely onto the stem. This will bring rose petals together.



10 Then push the stem forward and out of the machine.



11 Slide the calyx up through the bottom of the stem into its place beneath the petals. Then add the leaves in the same manner, sliding the stem tab through the groove on the end of the leaves.

Now you have a beautiful scented rose!



© 1992 Hasbro, Inc., Pawtucket, RI 02862 U.S.A. All Rights Reserved. Distributed in the U.K. by Hasbro (U.K.), a division of Hasbro Bradley U.K. Ltd., Caswell Way, Newport, Gwent, NP9 0YH.
 ® denotes Reg. U.S. Pat. and TM Office.
Made in U.S.A.
 8360 0/N 42831100