

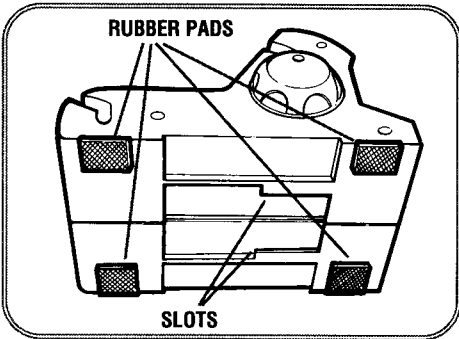
Fantastic Sticker MAKER™

PLEASE NOTE: To remove parts from runner frame, simply twist off. After removing parts, use safety scissors to trim all excess plastic.

Includes: Sticker Maker Machine, paper roll, tape roll, 60 sticker designs, design-making stencil, 2 roll holders, tape feeding tool, and rubber pads.

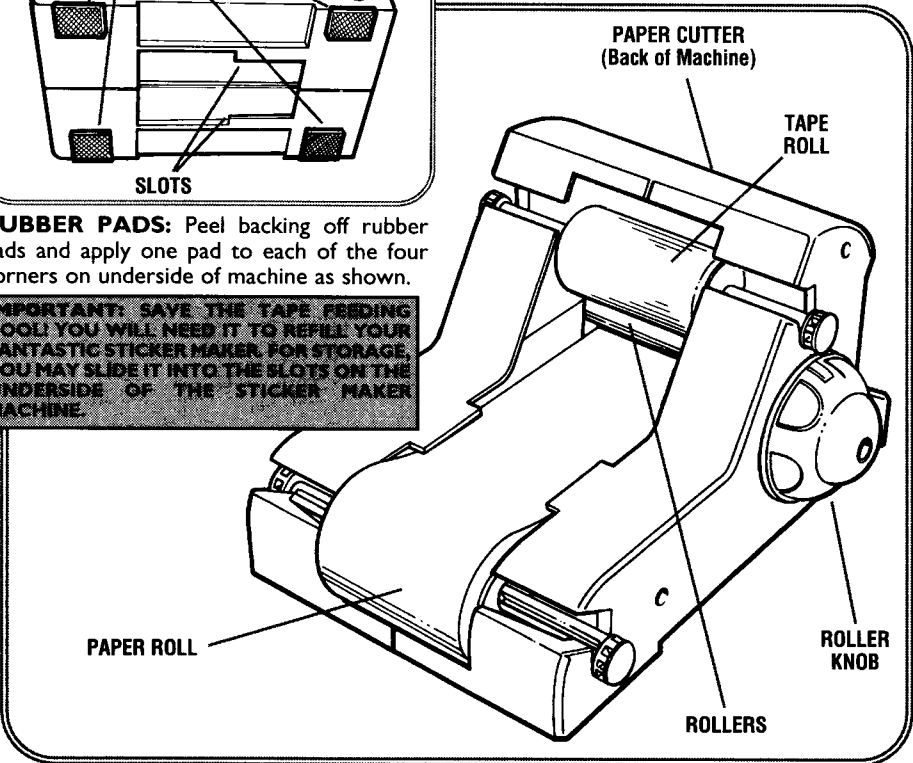
ADULT ASSISTANCE REQUIRED FOR SET-UP.

CAUTION: Fantastic Sticker Maker has a functional sharp point/sharp edge.

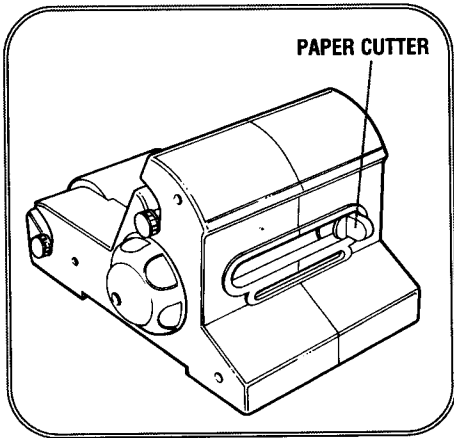


RUBBER PADS: Peel backing off rubber pads and apply one pad to each of the four corners on underside of machine as shown.

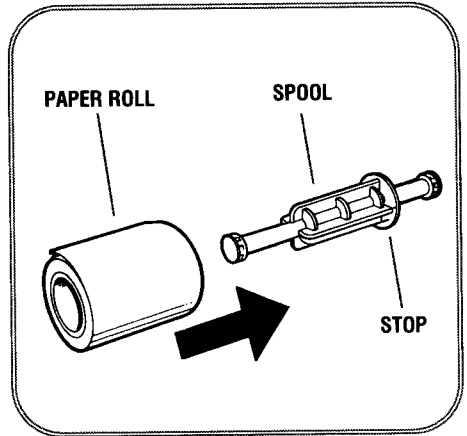
IMPORTANT: SAVE THE TAPE FEEDING TOOL! YOU WILL NEED IT TO REFILL YOUR FANTASTIC STICKER MAKER. FOR STORAGE, YOU MAY SLIDE IT INTO THE SLOTS ON THE UNDERSIDE OF THE STICKER MAKER MACHINE.



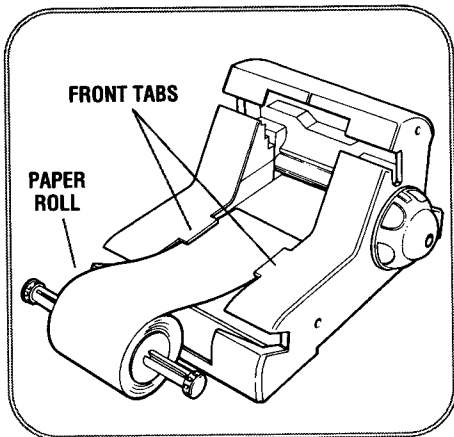
SET-UP INSTRUCTIONS:



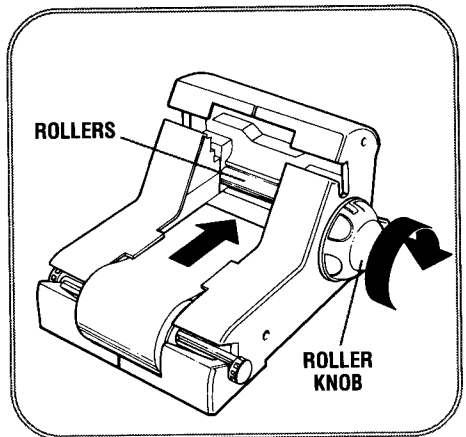
1. Before setting up your Sticker Maker Machine, make sure that the paper cutter in back of machine is sitting all the way to either side, and is **locked** in place (you'll hear a click as you snap it in place).



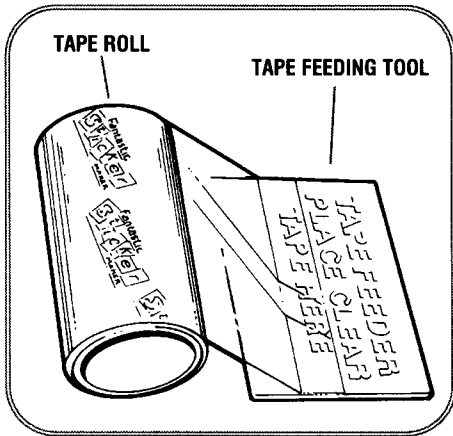
2. Take the paper roll and fit it onto either of the 2 spools. Slip the roll over the open end of the spool, until it hits the stop on the other side.



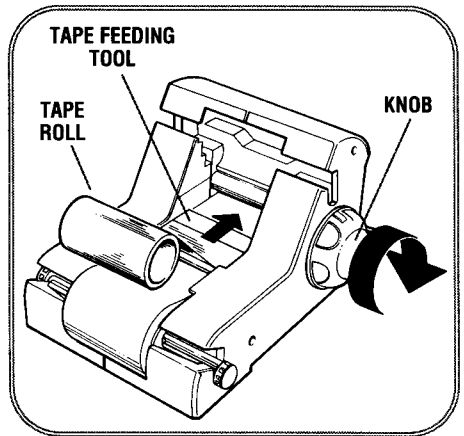
3. Thread the end of the paper roll through the front tabs on Sticker Maker Machine. (Note: Thread paper roll through tabs so that paper feeds from the **top** of the roll as shown.)



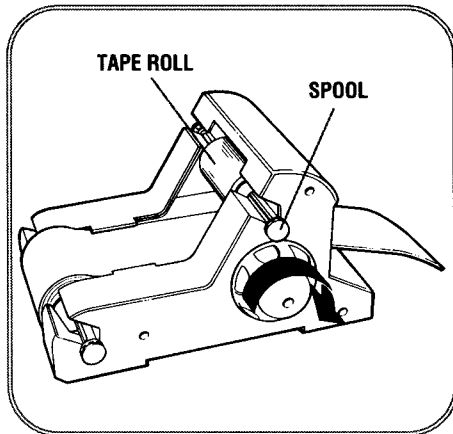
4. Slide the paper into the rollers. Turn knob in a **clockwise** direction to turn rollers and feed the paper through the back of the machine. Fit paper roll/spool into its place on front of machine as shown. Press spool ends all the way down and snap into place.



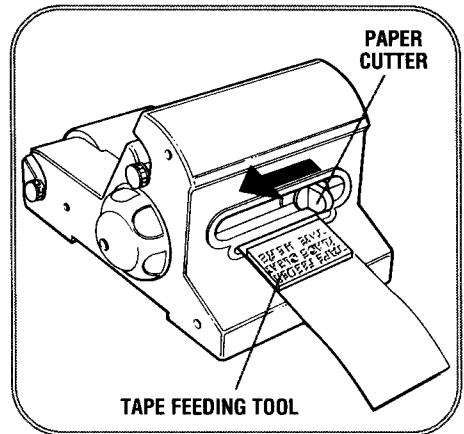
5. Take the tape feeding tool and the tape roll and place about a 1" length of tape onto tool as shown. Align the edges of the tape as exactly as possible along the left and right edges of the tool.



6. Push the tape feeding tool into the rollers as shown, with the sticky side of the tape facing down. Turn knob as directed in Step 4 to feed the tape through the back of the machine until entire tape feeding tool comes through.



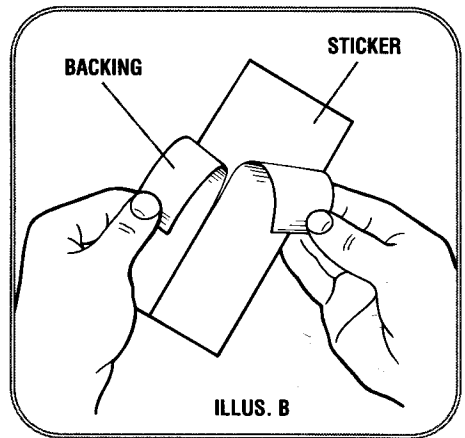
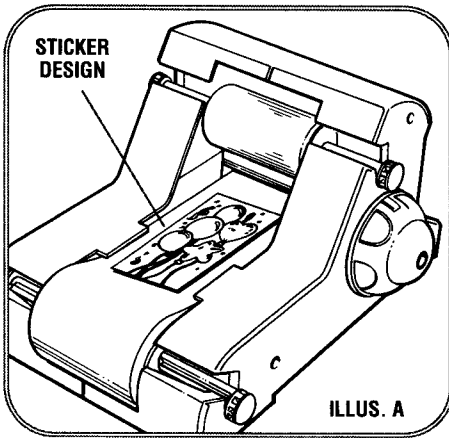
7. Slip the tape roll onto the other spool and fit the spool into its place on top of machine. Press spool ends all the way down to secure in place.



8. Slide the paper cutter (located in back of machine) all the way across to cut off the tape feeding tool (after you do this, make sure cutter is **locked** into place as explained in Step 1). You're ready to start making Fantastic Stickers!

IMPORTANT: SAVE THE TAPE FEEDING TOOL! YOU WILL NEED IT TO REFILL YOUR FANTASTIC STICKER MAKER. FOR STORAGE, YOU MAY SLIDE IT INTO THE SLOTS ON THE UNDERSIDE OF THE STICKER MAKER MACHINE.

MAKING STICKERS:



Sticker Design Sheets:

1. Choose one of the designs from the sticker design sheets and tear along perforations. Place the design in the **middle** of paper roll, leaving space on each side (Illus. A).
2. Roll design through the rollers all the way to the other side. Use the paper cutter to cut sticker off of roll.
3. You've made a colorful Fantastic Sticker as easy as that! Just peel the backing off the sticker (Illus. B) and stick it anywhere you want!

Design-Making Stencil:

4. Trace shapes from the design-making stencil onto paper; most kinds of paper you have at home will be fine, but avoid using paper of exceptionally heavy stock.
5. You can color in shapes with pencils or crayons if you'd like. Use safety scissors to cut out the shapes you create into a size that will fit in the Sticker Maker Machine.
6. Place your design in the **middle** of the paper roll, and follow sticker-making directions 1 through 3 above.

Note: You can also create stickers by drawing or writing directly onto the paper roll.

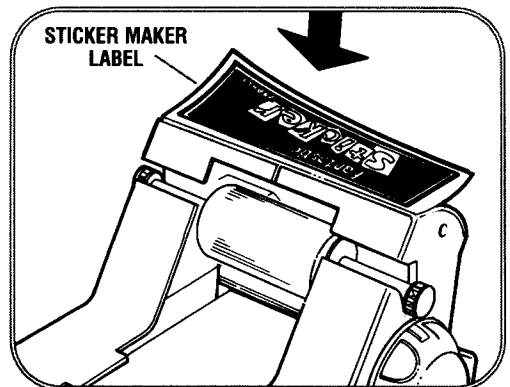
Other Kinds of Paper:

7. You can make stickers out of photographs, magazines, newspapers, and more - just make sure the paper is a size that will fit through the machine!

IMPORTANT NOTE: If you trim a sticker design, be sure to leave a border of at least $\frac{1}{8}$ " of paper around the outside of the design.

Applying Label to Machine:

8. The sticker design sheets include 3 copies of the Sticker Maker label; run one through the machine to create a sticker, and apply it to the top of the Sticker Maker Machine as shown!



NONTOXIC CONFORMS TO
ASTM D-4236-89