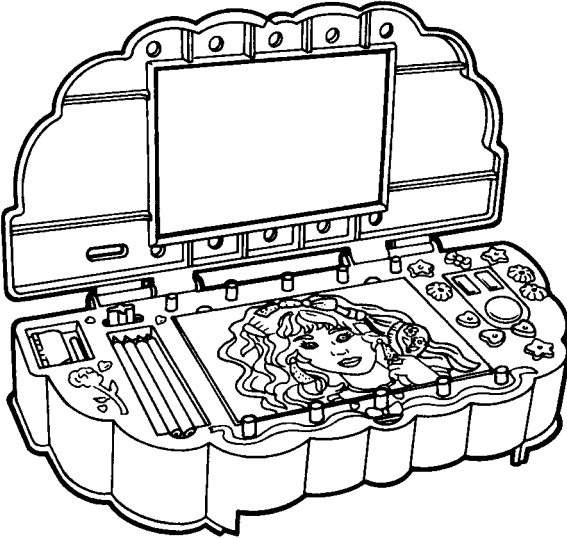


Ages 4 & Up

2544

LIGHTUP FASHION faces™ VANITY SET



PLEASE NOTE: To remove parts from runner frame, simply twist off. After removing parts, use safety scissors to trim all excess plastic.

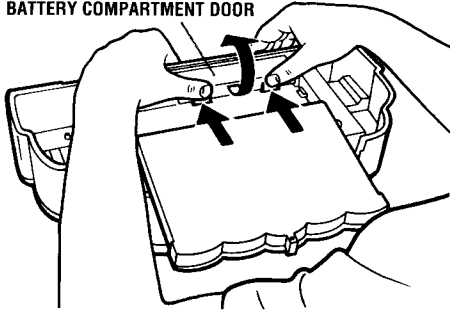
WARNING : CHOKE HAZARD
CONTAINS SMALL PARTS THAT MAY BE
SWALLOWED OR INHALED BY CHILDREN
UNDER 4 YEARS OF AGE

2544

HASBRO TOY
A DIVISION OF HASBRO INC.

BATTERY DIRECTIONS:

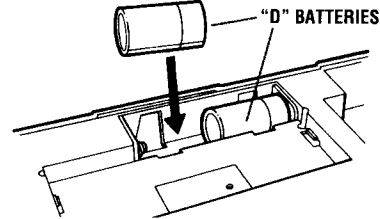
BATTERY COMPARTMENT DOOR



The battery compartment is located on the bottom of your Light Up Vanity. Use both thumbs as shown to push the tabs and lift off the battery compartment door.

CAUTION: TO AVOID BATTERY LEAKAGE

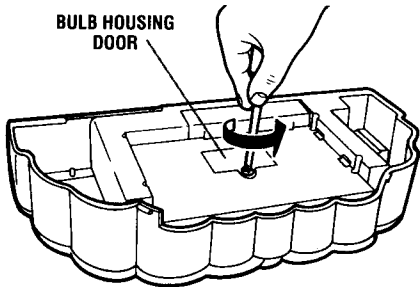
1. Be sure to insert the batteries correctly and always follow the toy and battery manufacturers' instructions.
2. Never mix old batteries and new batteries, or standard (carbon-zinc) with alkaline batteries.
3. Always remove exhausted or dead batteries from the product.
4. Remove batteries if product is stored for a long period of time.



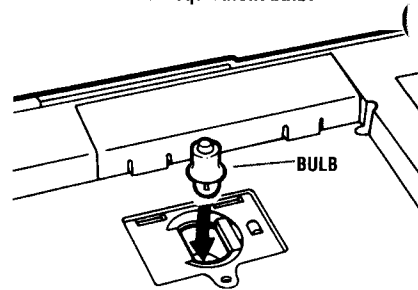
Insert 2 "D" batteries and replace the battery door, snapping the tabs securely into place.

REPLACING THE LIGHT BULB: Your Vanity is equipped with a 2.4 volt Krypton Lamp bulb (flashlight bulb). When bulb requires replacement, replace with the same or an equivalent bulb.

BULB HOUSING DOOR

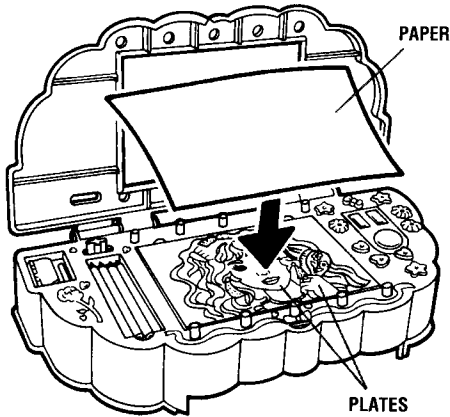


To replace bulb, remove storage drawer from Vanity and locate bulb housing underneath Vanity. Use a Phillips® screwdriver (not included) to loosen the screw which secures the housing door and remove door.

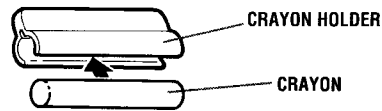


Lift the door, remove old bulb and place the new one into bulb fitting as shown. Replace the housing door and re-fasten the screw with the screwdriver.

CREATING A FASHION FACE:



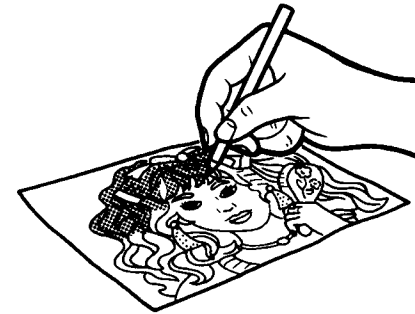
1. Choose plates to create a beautiful fashion face. Lift vanity frame and place the hairstyle plate into tray as shown, then fit a face plate into opening in hairstyle plate. Place a sheet of paper above the plates as shown and close the vanity frame.



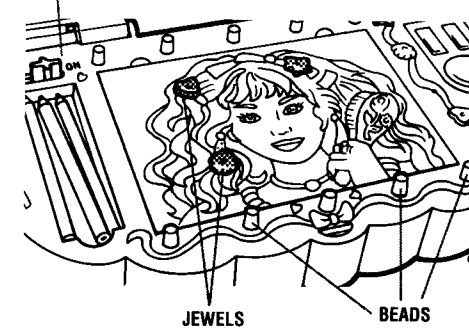
2. Snap the crayon securely into crayon holder.
3. Rub the crayon holder softly against the paper in a circular motion.

FOR THE BEST PICTURES, HOLD FRAME DOWN AND KEEP CRAYON LEVEL. The frame should also be cleaned periodically.

LIGHT SWITCH



4. Remove the drawing and plates from the tray. Now, use the colored pencils to color in your fashion face. Then, add the makeup: apply blusher and eyeshadow to create a beautiful look.



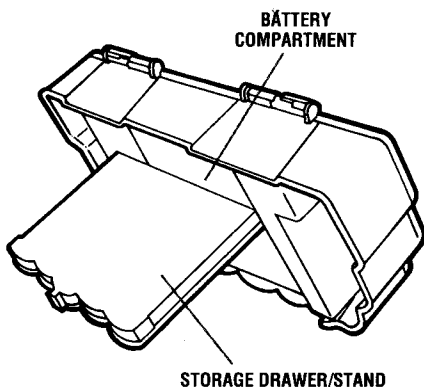
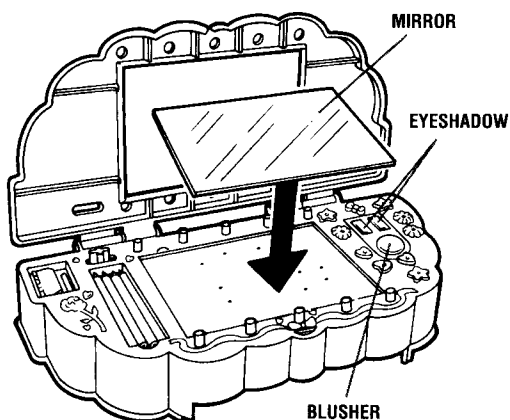
5. Place drawing back into tray. Turn the light switch on the left hand side of frame to the "ON" position. The beads around the frame will light up and several small holes of light will appear on your Fashion Face™. Press the jewels into the holes as shown to add a final sparkling touch!



6. Mix and match plates to create lots of beautiful faces. Be creative with colors and makeup – have fun!

Note: If the light in your Vanity does not operate properly, first check to make sure that the bulb has not become dislodged from its connection by adjusting bulb in its fitting. If that does not work, check the batteries to see if they are incorrectly installed or if they require replacement.

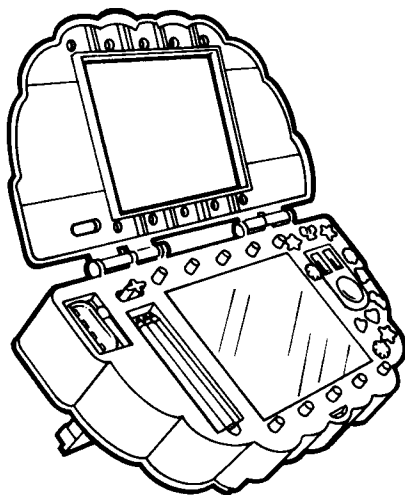
USING THE LIGHT UP VANITY:



7. Now, lift the frame and remove the Fashion Face you've made. Peel off the protective sheet on mirror and place the mirror into the vanity as shown.

8. When making yourself up, remove the storage drawer and use it as a vanity stand – just fit the drawer/stand into its place below the battery compartment as shown.

9. Use the blusher on your cheeks and eyeshadow on your eyes to make yourself up just like your Fashion Face design!



NONTOXIC CONFORMS TO ASTM D-4236-89