



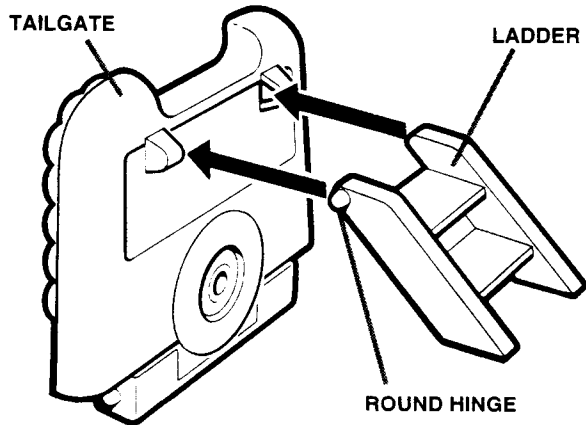
Flip'n Fancy[®]

Van Instructions



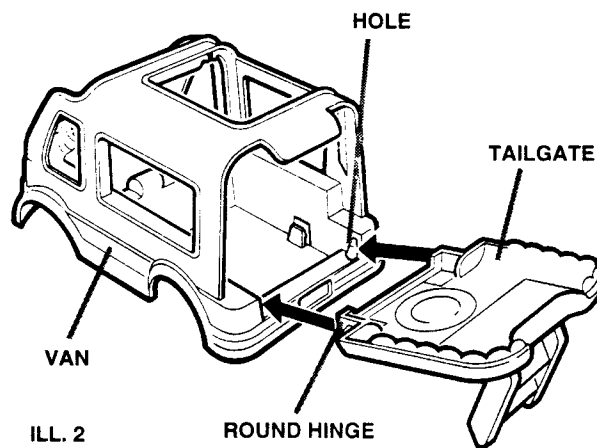
For future reference, our toll-free consumer service number is also located on this product.

Includes van, tailgate, ladder, roof panel, side panel, 4 wheels, 2 axles, ice cream tray, table and label sheet.



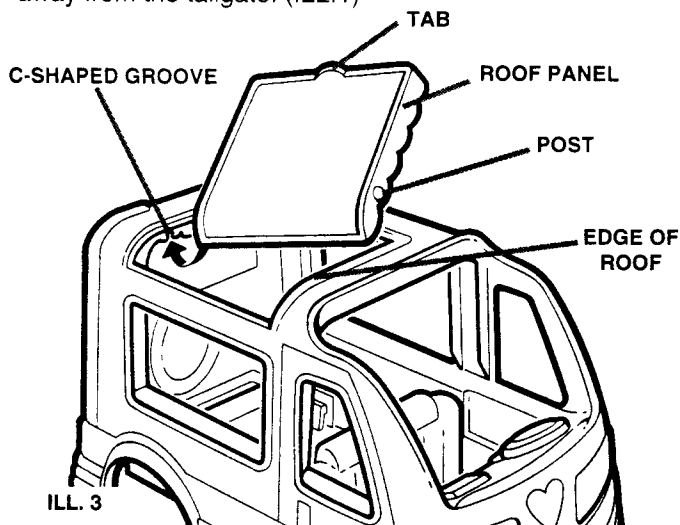
ILL. 1

1. Snap the round hinges on the ladder into the holes in the tailgate. Note: Make sure the ladder steps are facing away from the tailgate. (ILL. 1)



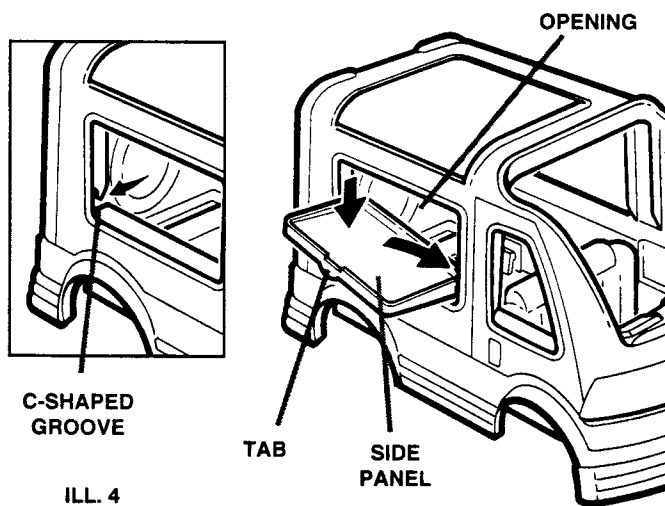
ILL. 2

2. Snap the round hinges in tailgate into the holes in the back of the van. To close the tailgate, swing it up and snap it in place. (ILL. 2)



ILL. 3

3. Place the roof panel into the hole in the roof, at an angle, with the posts on the panel below the edge of the roof. Snap the posts on the roof panel into the C-shaped grooves in the roof's edge. To close the roof panel, swing it down. To open the roof panel, grasp the tab and swing it up. (ILL. 3)

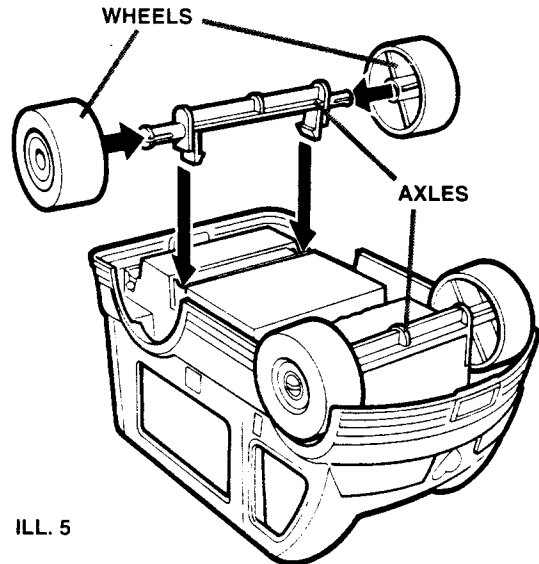


ILL. 4

4. Place the side panel into the opening in the side of the van that has C-shaped grooves on the opening's edge. With the tab on the side panel facing out of the van, insert one post on the side panel into a C-shaped groove, then snap the other post into the other groove. (ILL. 4)

NOTE: To close the side panel, swing it up and snap it in place. To open the side panel, grasp the tab and swing it down.

5. Turn van upside down. Snap axles onto bottom of van. Slip wheels onto ends of axles until they click firmly into place.
 Note: Playskool logo on wheels should be facing out. (ILL. 5)

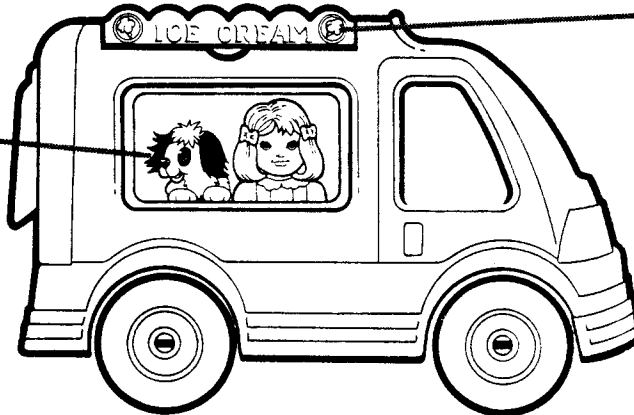


ILL. 5

6. Peel and apply labels as shown.

Swing up the side panel. Attach the **girl and puppy label** to the side panel.

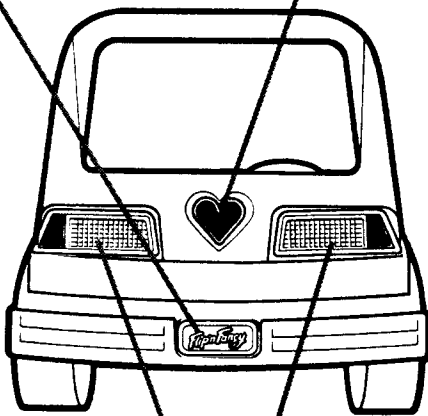
Swing open the roof panel. Apply the **ice cream sign label** to the edge of the panel.



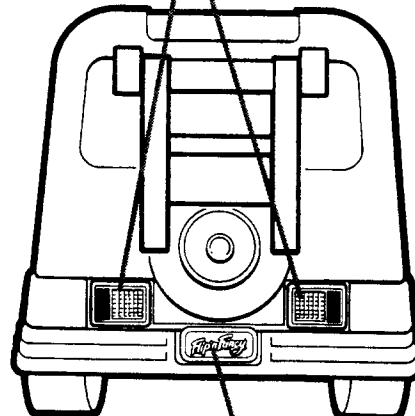
Apply the **front license plate** to the front of the van.

Place the **heart-shaped label** in the heart-shaped area on the front of the van.

Apply the **taillights** to the rear of the van.



Apply the **headlights** to the front of the van.



Apply the **rear license plate** to the rear of the van.