



Fold 'n Go Train™

Adult Assembly Required. Tool Needed: Phillips Screwdriver (Not Included.)
Requires 1 "C" battery (not included).

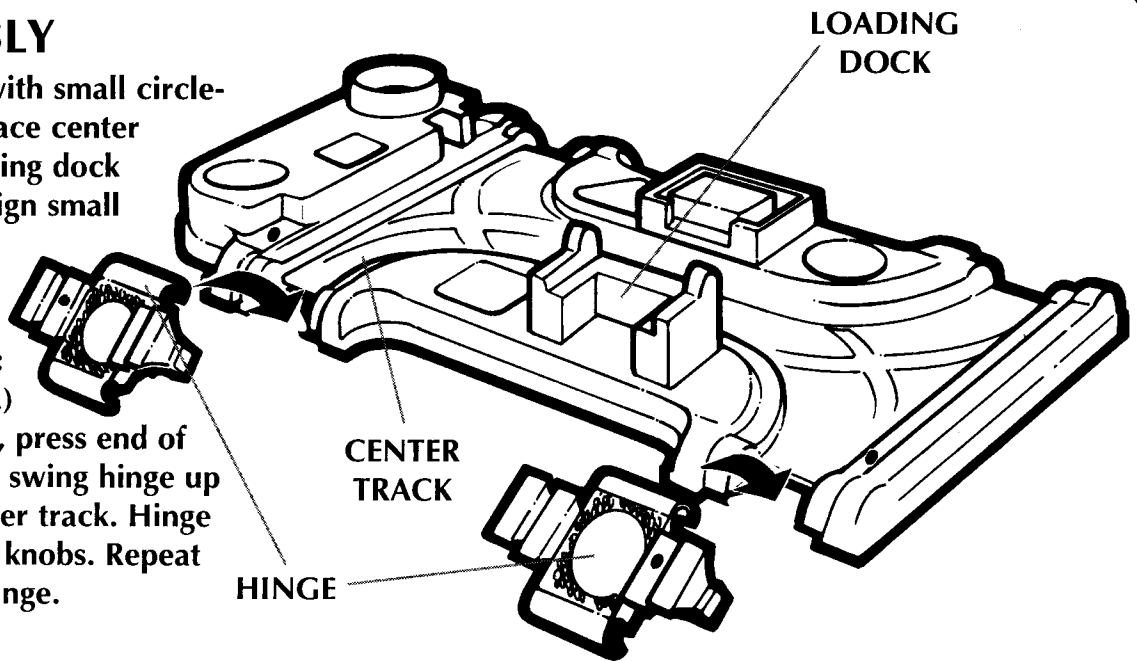
CAUTION: HAIR ENTANGLEMENT MAY RESULT IF CHILD'S HEAD IS TOO CLOSE TO
 MOTORIZED UNIT OF THIS TOY. ADULT SUPERVISION REQUIRED.

Remove pieces from plastic bags and discard bags immediately.

HINGE ASSEMBLY

1. Locate the 2 hinges with small circle-shape on outer edge. Place center track on table with loading dock side at edge of table. Align small circle-shape on hinge with small circle-shape on outer ridge of center track. (Use either hinge; they're interchangeable.)

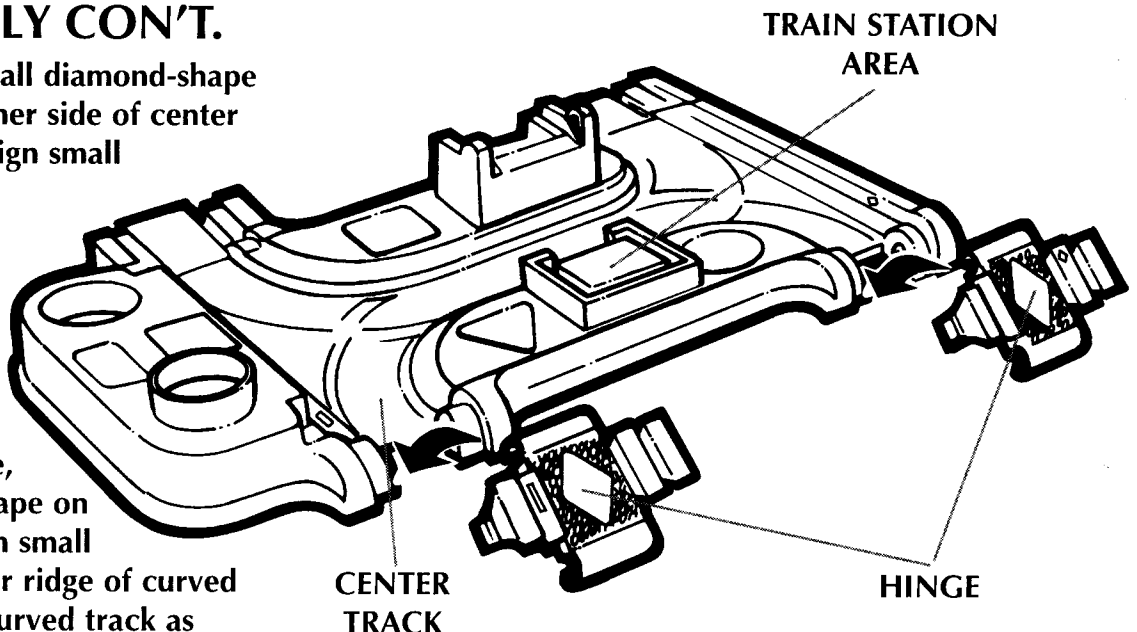
Holding hinge vertically, press end of hinge against knobs and swing hinge up until it's parallel to center track. Hinge should snap firmly onto knobs. Repeat for other circle-shape hinge.



HINGE ASSEMBLY CON'T.

2. Locate hinge with small diamond-shape on outer edge. Place other side of center track at table's edge. Align small diamond-shape on hinge with small diamond-shape on outer ridge of center track. Attach hinge to curved track as described in Step 1.

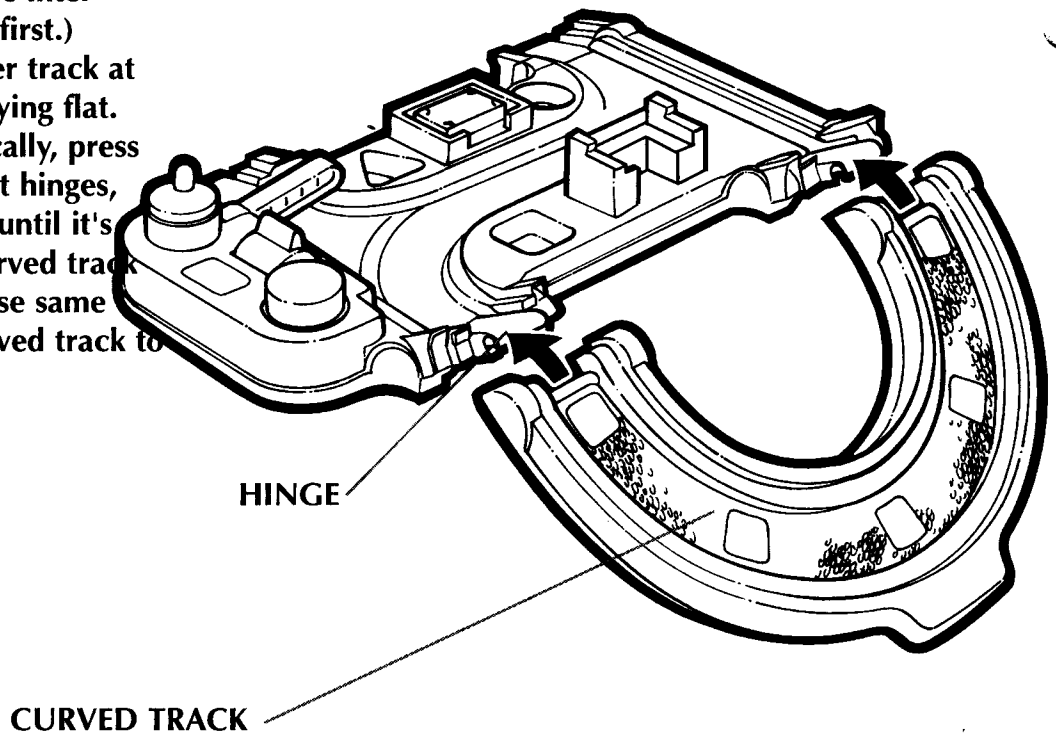
3. With remaining hinge, align small rectangle-shape on outer edge of hinge with small rectangle-shape on outer ridge of curved track. Attach hinge to curved track as described in Step 1.



CURVED TRACK ASSEMBLY

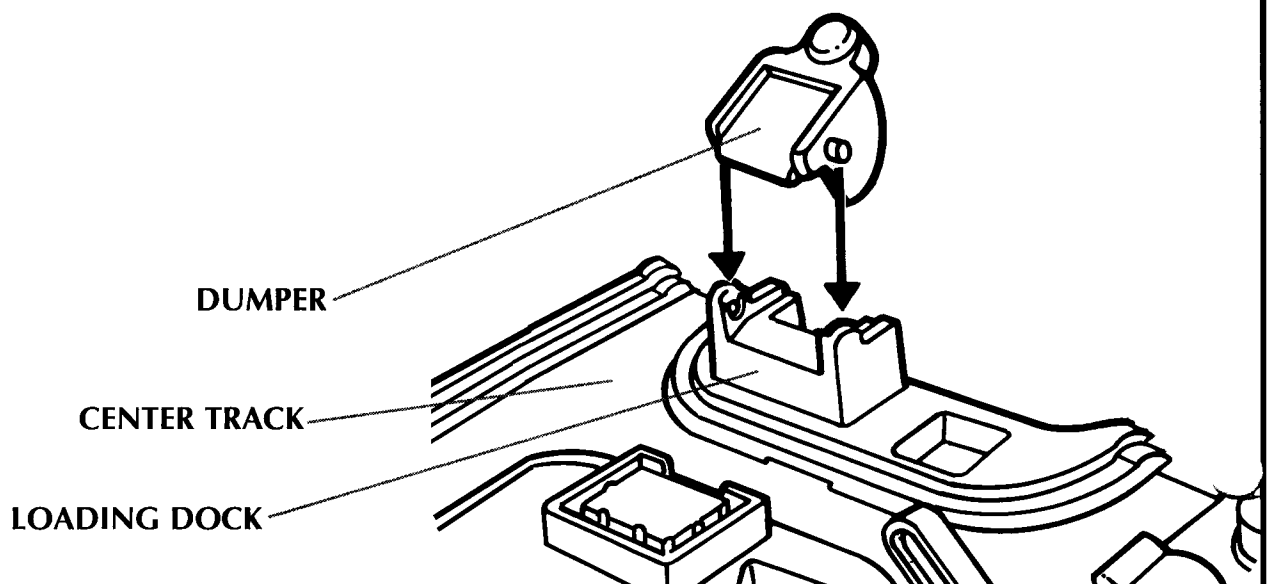
(Note: The curved tracks are interchangeable; use either one first.)

4. Place either side of center track at edge of table, with hinges lying flat. Holding curved track vertically, press ends of curved track against hinges, and swing curved track up until it's parallel to center track. Curved track should snap onto hinges. Use same process to attach other curved track to other side of center track.



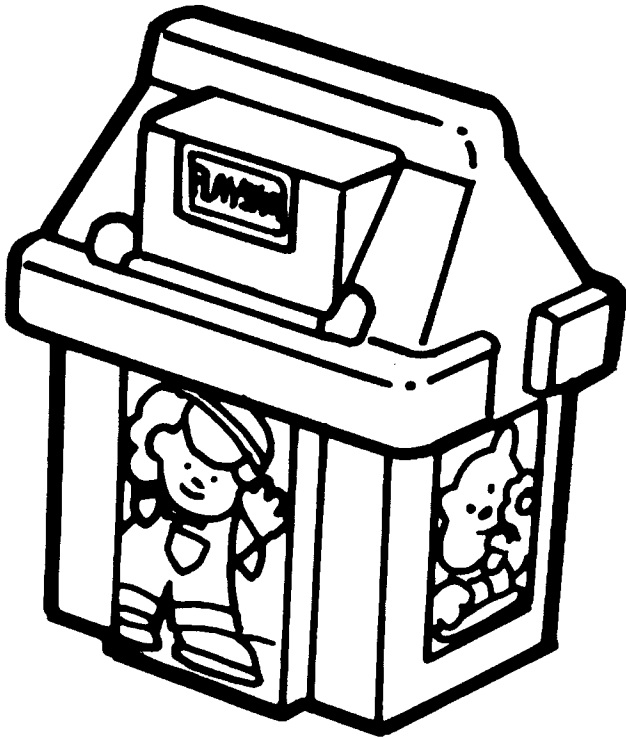
LOADING DOCK ASSEMBLY

5. Snap dumper onto loading dock on center track.



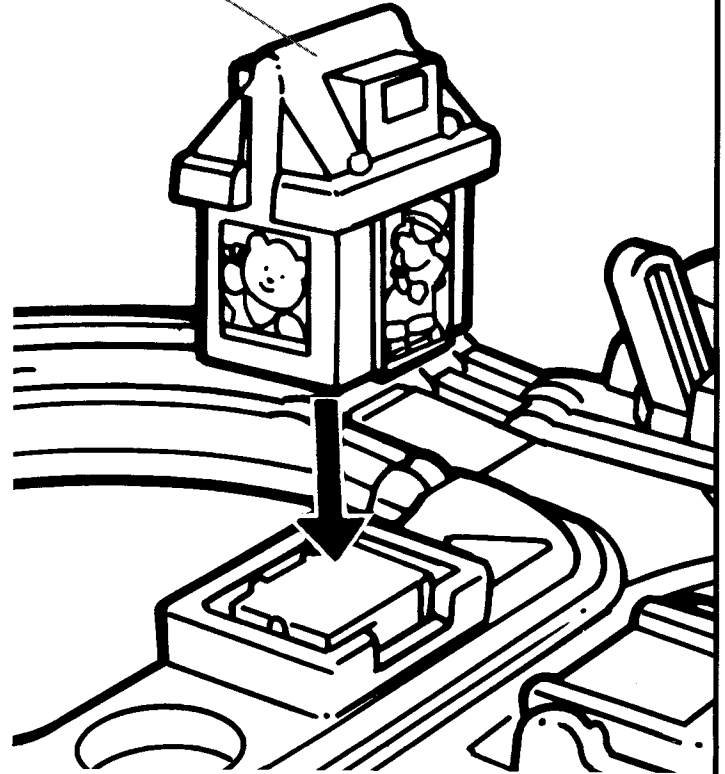
TRAIN STATION ASSEMBLY

6. Peel and apply labels as shown.



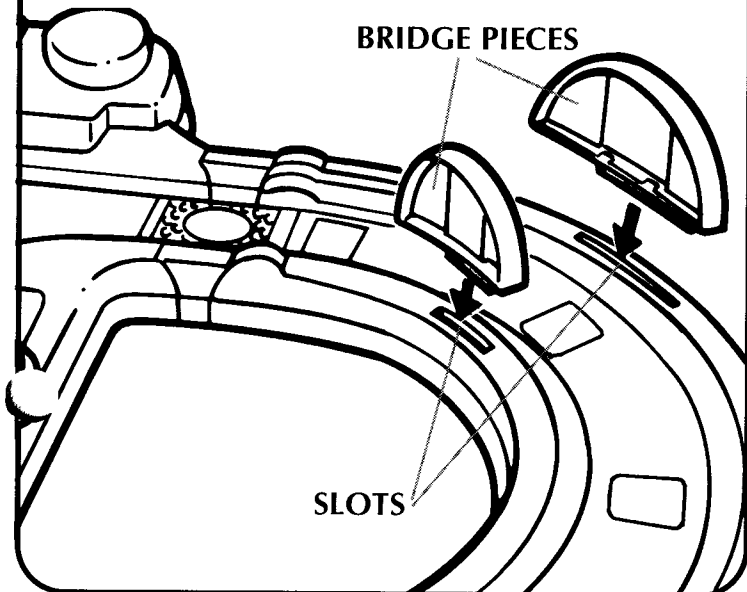
7. Place train station on center track.

TRAIN STATION



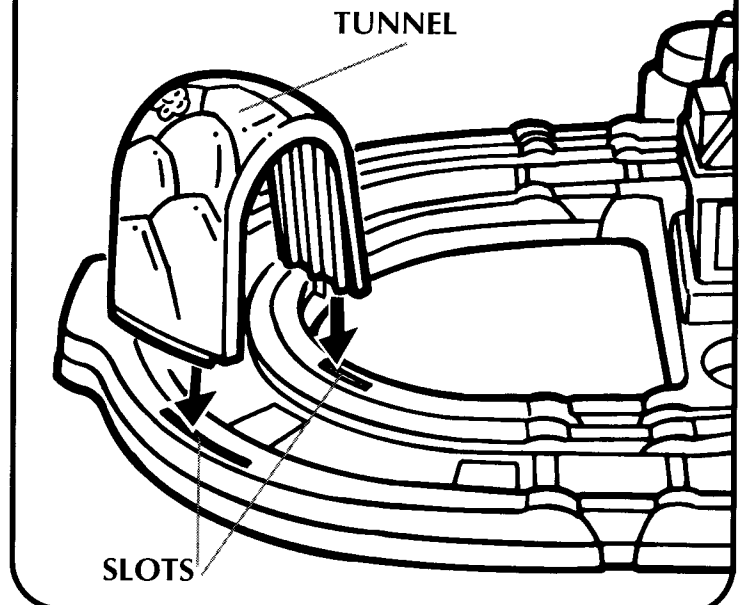
BRIDGE ASSEMBLY

8. Insert tabs on bridge pieces into slots in either curved track.



TUNNEL ASSEMBLY

9. Insert tab and pin on tunnel into slots in other curved track.

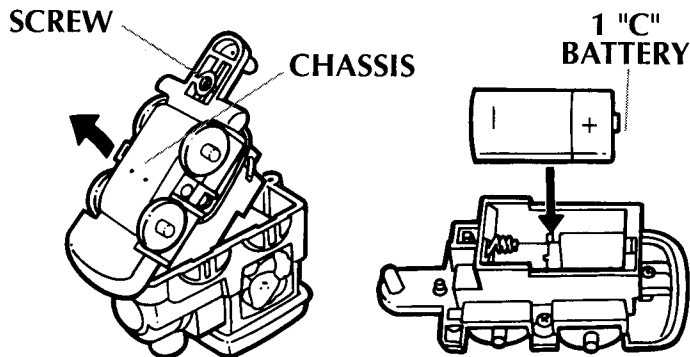


BATTERY INSERTION

10. Hold engine upside down. With a Phillips screwdriver, loosen screw on bottom of engine (screw will remain in hole). Wiggle chassis back and forth and pull it toward the back of the engine, to unhitch it from the body. Lift chassis out of body.

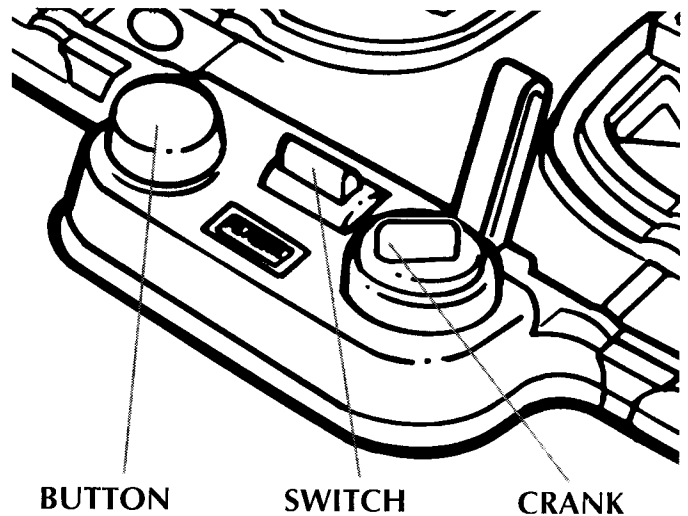
11. Insert one "C" battery into battery compartment as shown.

12. Replace chassis in body. Align front of chassis with front of body, pressing chassis forward and down into body until chassis snaps into place. Tighten screw.



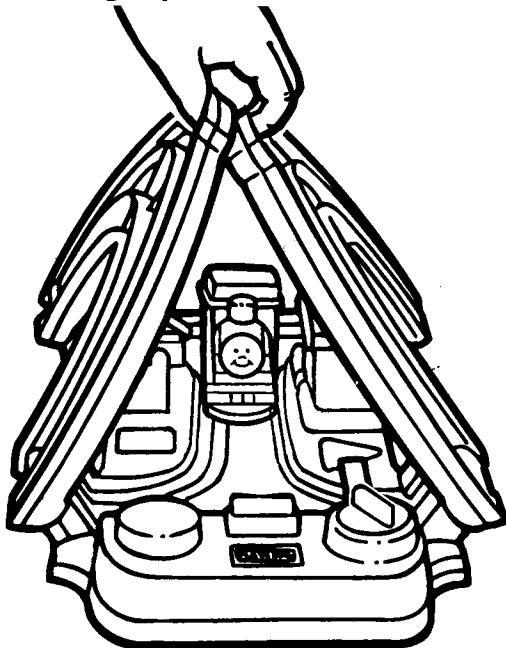
USING THE CONTROL PANEL

- Press button to toot whistle.
- Flip switch to stop train at loading dock.
- Turn crank to raise and lower crossing gate.



TO FOLD THE TRACK

Store pieces on center track. Lift up curved tracks and grasp the built-in handles.



TROUBLESHOOTING TIPS

If the train is not functioning properly, please try the following steps:

- Make sure the track is on a flat surface.
- Check the track hinges to make sure they are properly assembled.
- Wipe the engine's wheels and the track with a damp cloth.
- Replace the engine's battery.

Product and colors may vary.

© 1996 Hasbro, Inc., Pawtucket, RI 02862 USA. All Rights Reserved.

® denotes Reg. U.S. Pat. & TM Office. U.S. Patent Pending

ENGINE AND CARS MADE IN CHINA. ALL OTHER COMPONENTS MADE IN THE USA.

P/N46482103



Questions? Call: **1-800-PLAYSKL**™