

Ages: 5 & Up



WARNING:

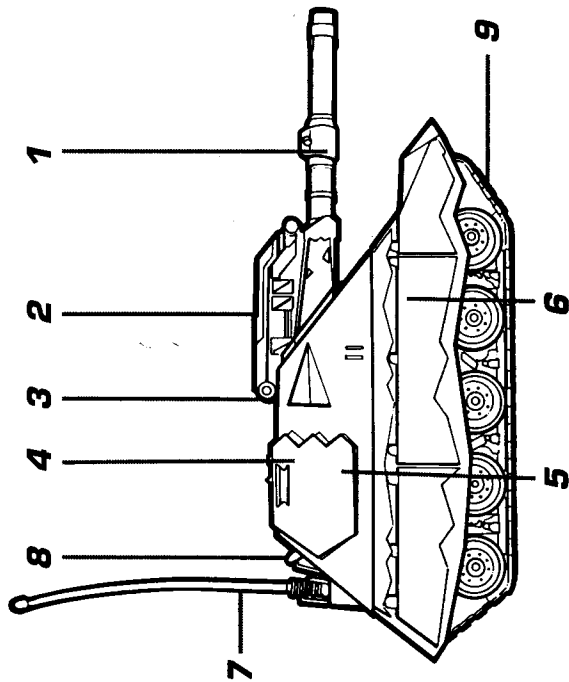
CHOKING HAZARD - Small parts.
Not for children under 3 years.

I.R.O.N. PANTHER™ Instructions

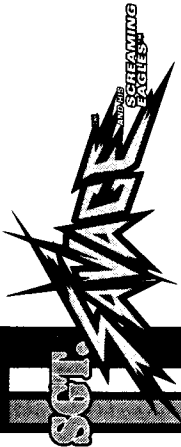
Contains: I.R.O.N. Panther Tank, Cannon, 2 Tank Treads, 2 Rolling Wheel Axles, Two Doors, 4 Missiles, Antenna, Sledgehammer, Shovel, Figure with Weapons and Label Sheet.

OFFICIAL VEHICLE SPECIFICATIONS

1. ELEVATING CANNON BARREL
2. MISSILE STORAGE CHAMBER
3. LOCK 'N LOAD TRIGGER
4. ARMOR-PLATED ROTATING TURRET
5. TWO OPENING DOORS
6. LASER-PROOF TITANIUM ARMOR
7. CELLULAR COMMUNICATIONS ANTENNA
8. REMOVABLE COMBAT SLEDGEHAMMER AND SHOVEL
9. ARMORED TANK TREADS WITH ROLLING WHEELS



Remove all pieces from plastic frames. If you have difficulty, use safety scissors.
CAUTION: Do not point weapon at eyes or face.



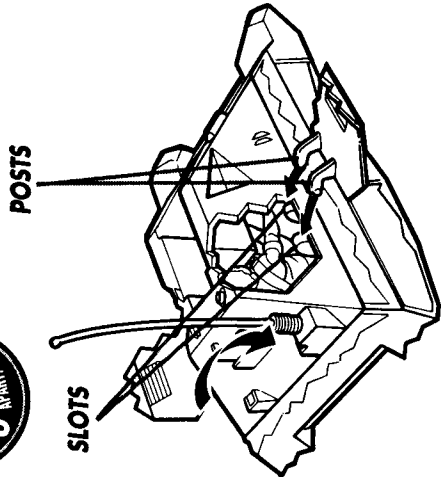
Vehicle plays with 4" G.I. Joe figures and accessories.

Product and colors may vary. Approximate size of vehicle is 11 1/2" (29 cm) L X 6" (15cm) W X 4" (10 cm) H.

©1994 Hasbro, Inc., Pawtucket, RI 02862 U.S.A. All Rights Reserved.

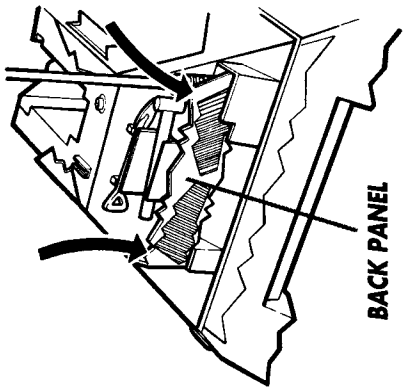
81164
P/N 45425700

FIGURE AND VEHICLE MADE IN INDONESIA



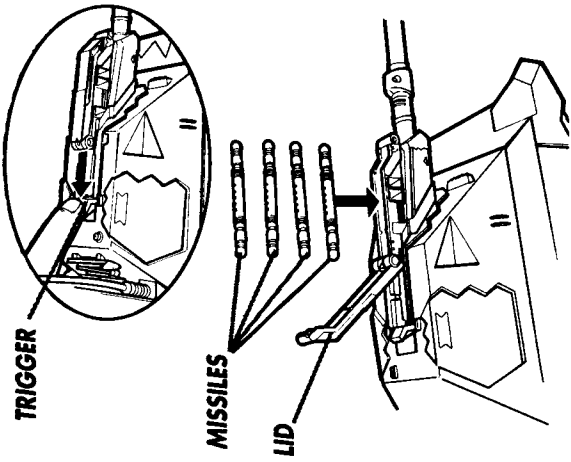
1. DOORS

Insert left door posts into slots inside tank as shown. Repeat with right door. Doors are designed to open and close; figure fits inside. Snap bottom of antenna into top hole.



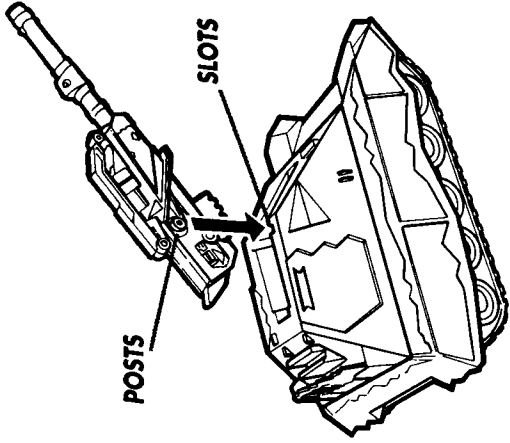
2. BACK PANEL/STORAGE

Snap back panel posts into holes. Shovel and sledgehammer store at rear of turret as shown.



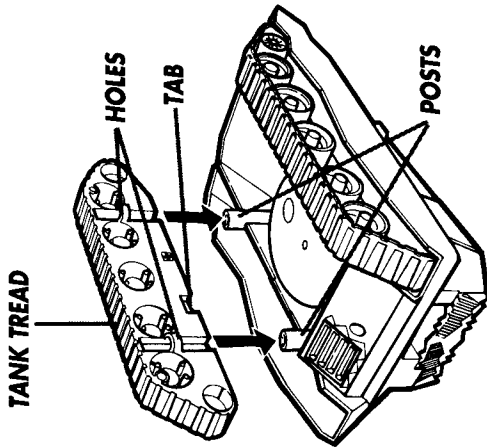
5. CANNON ASSEMBLY

Turn tank right side up. Fit cannon posts into turret slots and snap cannon down into place.



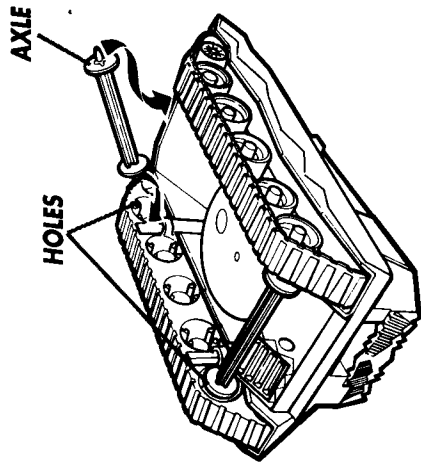
6. OPERATING CANNON

To arm cannon, open lid of cannon magazine and insert four missiles. Close lid and pull back the "Lock 'n Load" trigger. Push button to shoot missile. CAUTION: DO NOT AIM MISSILES AT EYES OR FACE.



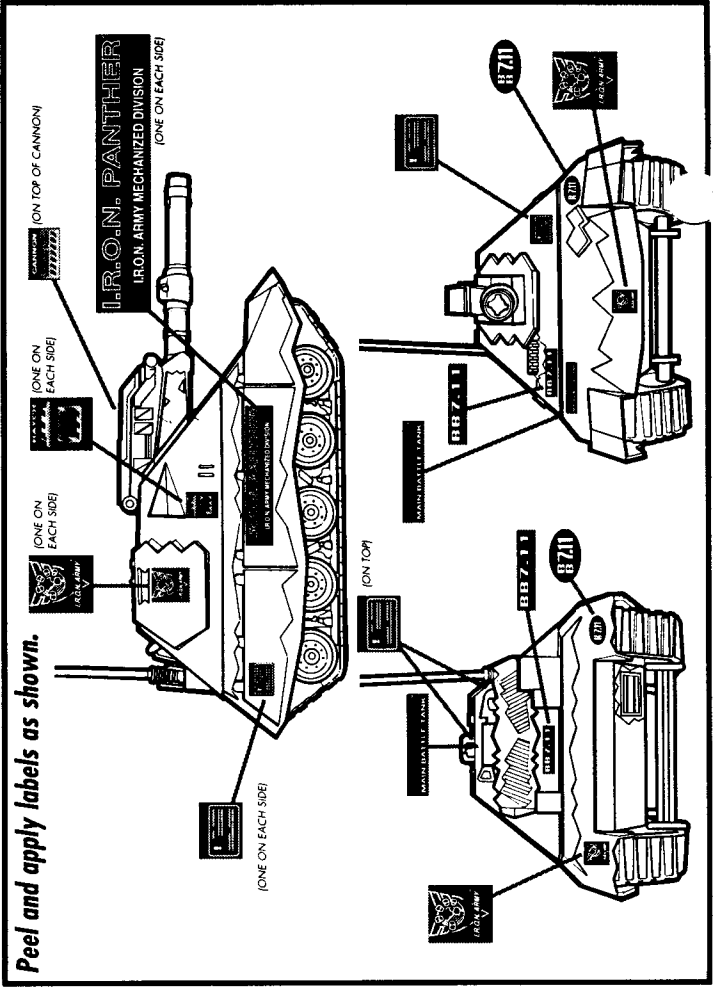
3. TREAD ASSEMBLY

Turn tank over. Align tread holes with tank posts. Push tread down until tab snaps into place. Repeat with other tread.



4. AXLE ASSEMBLY

Fit axle posts into tread holes as shown. Repeat with other axle.



Peel and apply labels as shown.