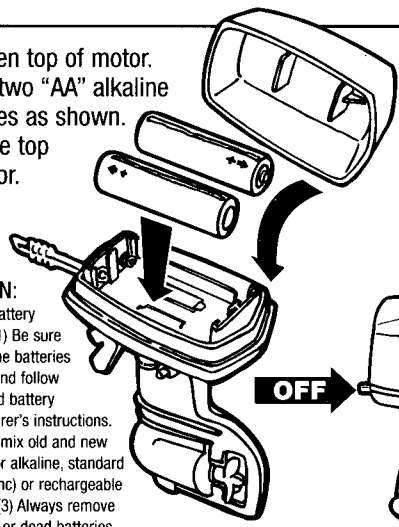


81234

GI JOE[®] NAVY SEAL

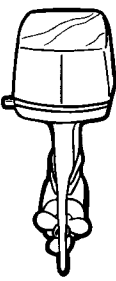
Pry open top of motor.
Install two "AA" alkaline
batteries as shown.
Replace top of motor.



CAUTION:

To avoid battery leakage, (1) Be sure to insert the batteries correctly and follow the toy and battery manufacturer's instructions. (2) Do not mix old and new batteries or alkaline, standard (carbon-zinc) or rechargeable batteries. (3) Always remove exhausted or dead batteries from the product.

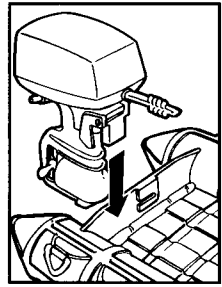
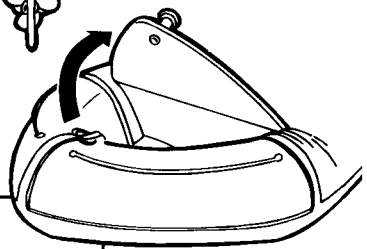
OFF



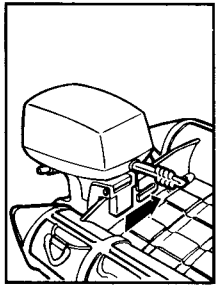
ON



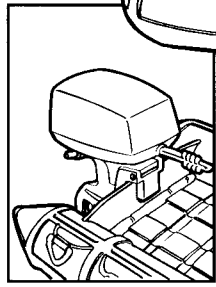
Press button on either side of motor to turn it on or off.



Place motor onto back of boat.



Slide motor in the direction of arrow and lock in place.



Final position.

Front of boat can be opened for storage.

Ages 5 and up.

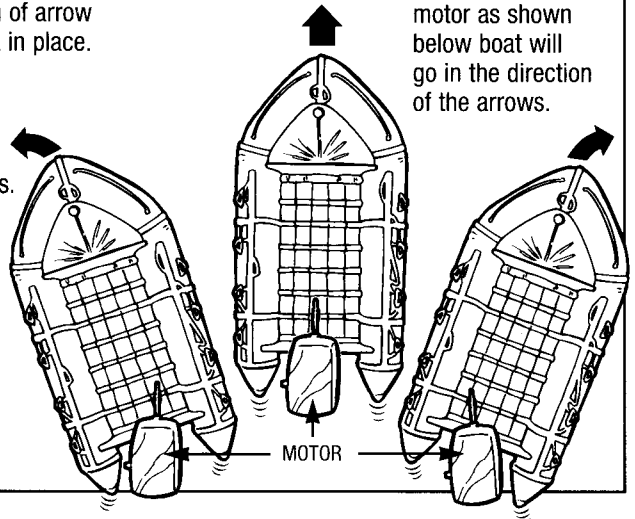
WARNING:

CHOKING HAZARD-Small parts.
Not for children under 3 years.



© 1995 HASBRO, INC., Pawtucket, Rhode Island 02862. All Rights Reserved.
KENNER is a trademark of Tonka Corporation, a subsidiary of Hasbro, Inc.

MADE IN CHINA



By positioning motor as shown below boat will go in the direction of the arrows.