

Ages 5 and up.

GOOE EXTREME™

SAND STRIKER™ VEHICLE

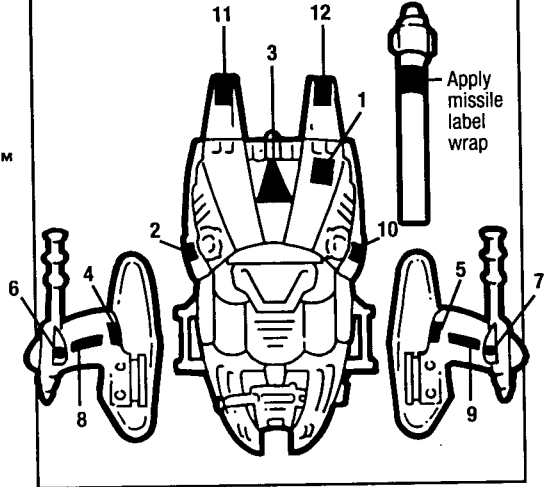
Instruction Sheet

⚠ WARNING:

CHOKING HAZARD—Small parts.
Not for children under 3 years.

21216

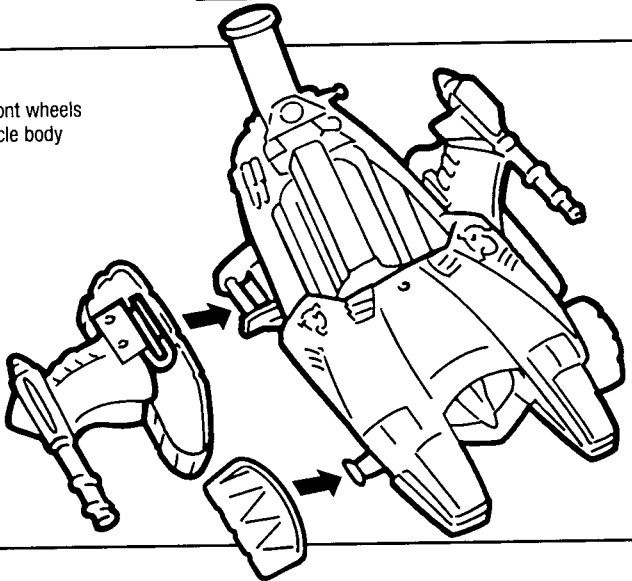
1. Apply labels to unassembled parts, using numbers on the label sheet and these illustrations as a guide.



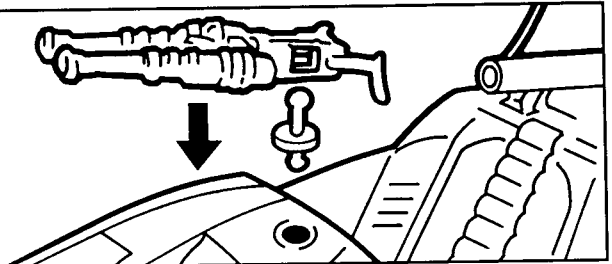
2. Snap treads and front wheels onto both sides of vehicle body as shown.

**ONE-TIME
ASSEMBLY**
Once assembled,
never to be disassembled.

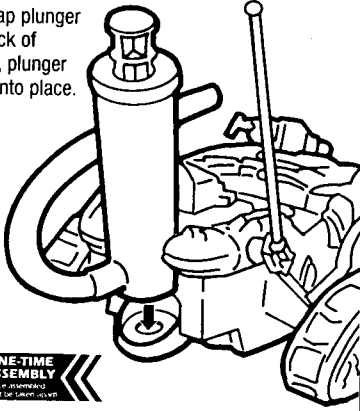
FRONT WHEELS



3. Insert weapon with pin into top of vehicle as shown.

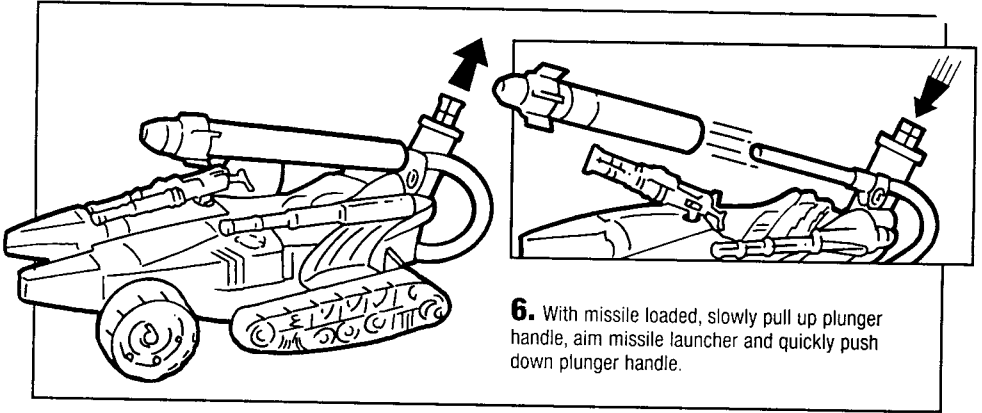
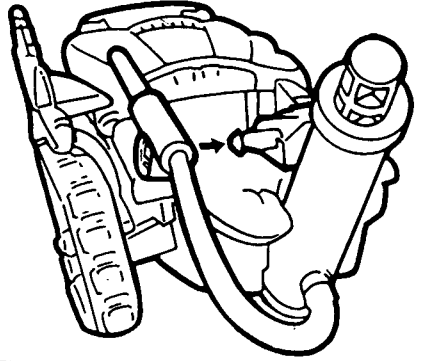


4. Snap plunger into back of vehicle, plunger snaps into place.



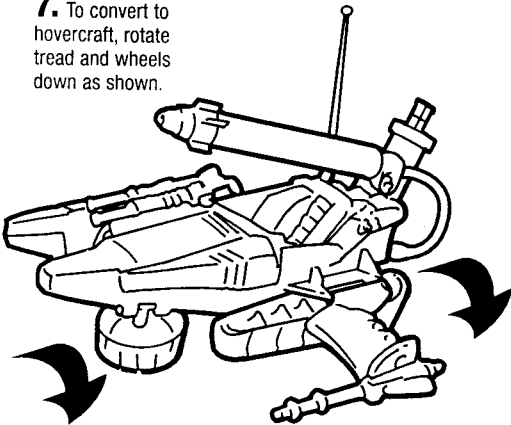
ONE-TIME ASSEMBLY
Once assembled, never to be disassembled.

5. Snap cannon tube onto pivot.



6. With missile loaded, slowly pull up plunger handle, aim missile launcher and quickly push down plunger handle.

7. To convert to hovercraft, rotate tread and wheels down as shown.



8. Place figure into seat as shown.

