

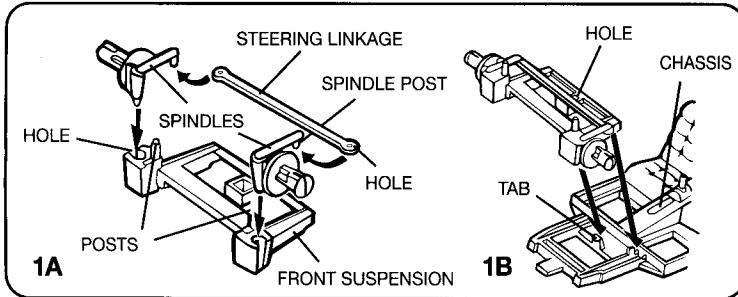
# A.W.E. STRIKER™

Ages 5 & Up

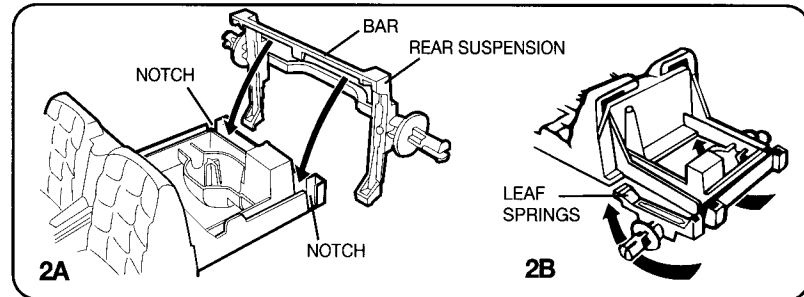
57768

Some assembly required- no tools necessary.  
Remove all pieces from plastic frames.  
If you have difficulty, use safety scissors.

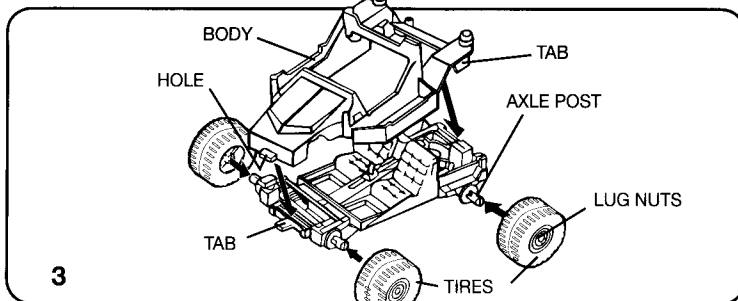
**⚠ WARNING:**  
CHOKING HAZARD-Small parts.  
Not for children under 3 years.



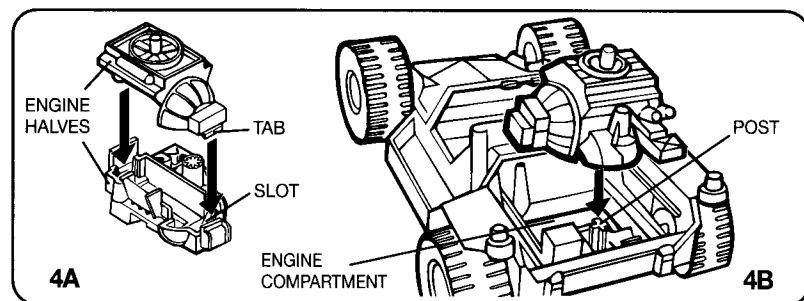
With posts on front suspension facing up, insert spindles into holes as shown. Snap into place. Place one hole in steering linkage onto spindle post. Place other hole in steering linkage onto other spindle post (1A). Snap center hole of front suspension over tab on front of chassis (1B).



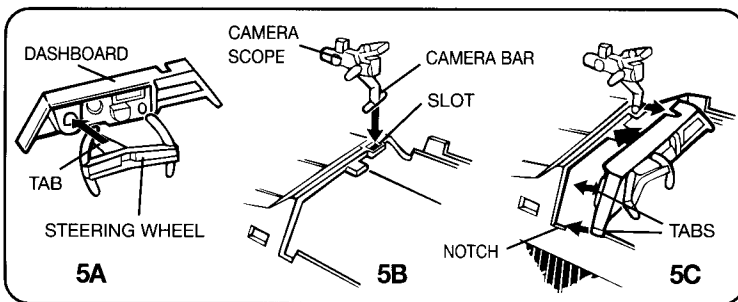
Place rear suspension bar into notch on rear of chassis as shown (2A). Swing suspension under chassis and snap ends of leaf springs behind seats (2B).



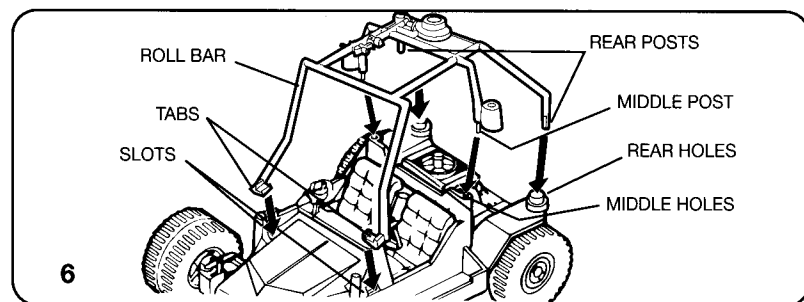
Insert tab on front of chassis into hole on front of body. Press body so tabs snap behind seats. With lug nuts facing out, snap tires onto 4 axle posts.



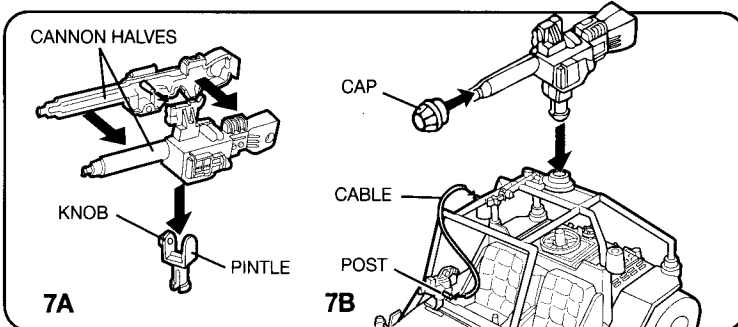
Insert tab on engine half into slot in other engine half. Snap together (4A). Fit hole in engine over post and tab in engine compartment as shown (4B). Engine is removable for pretend repair.



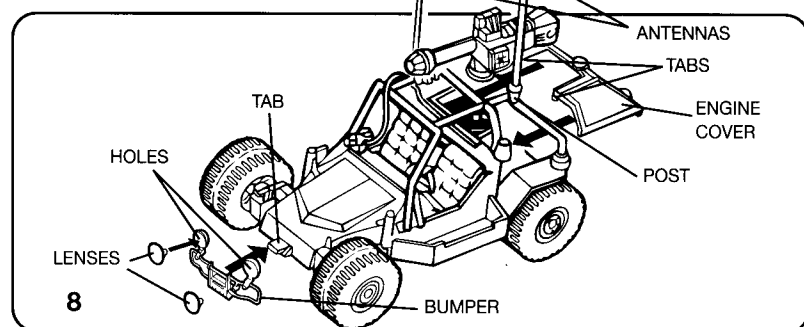
With tab on steering wheel facing up, snap into hole in dashboard (5A). With camera scope facing forward, hold camera bar in slot above passenger seat. (5B). While holding camera in place, fit tabs on dashboard into notches on sides of body. Snap dashboard forward to trap camera in place (5C).



Place front tabs on roll bar into slots on sides of hood. Insert 4 posts into holes in middle and rear of vehicle.

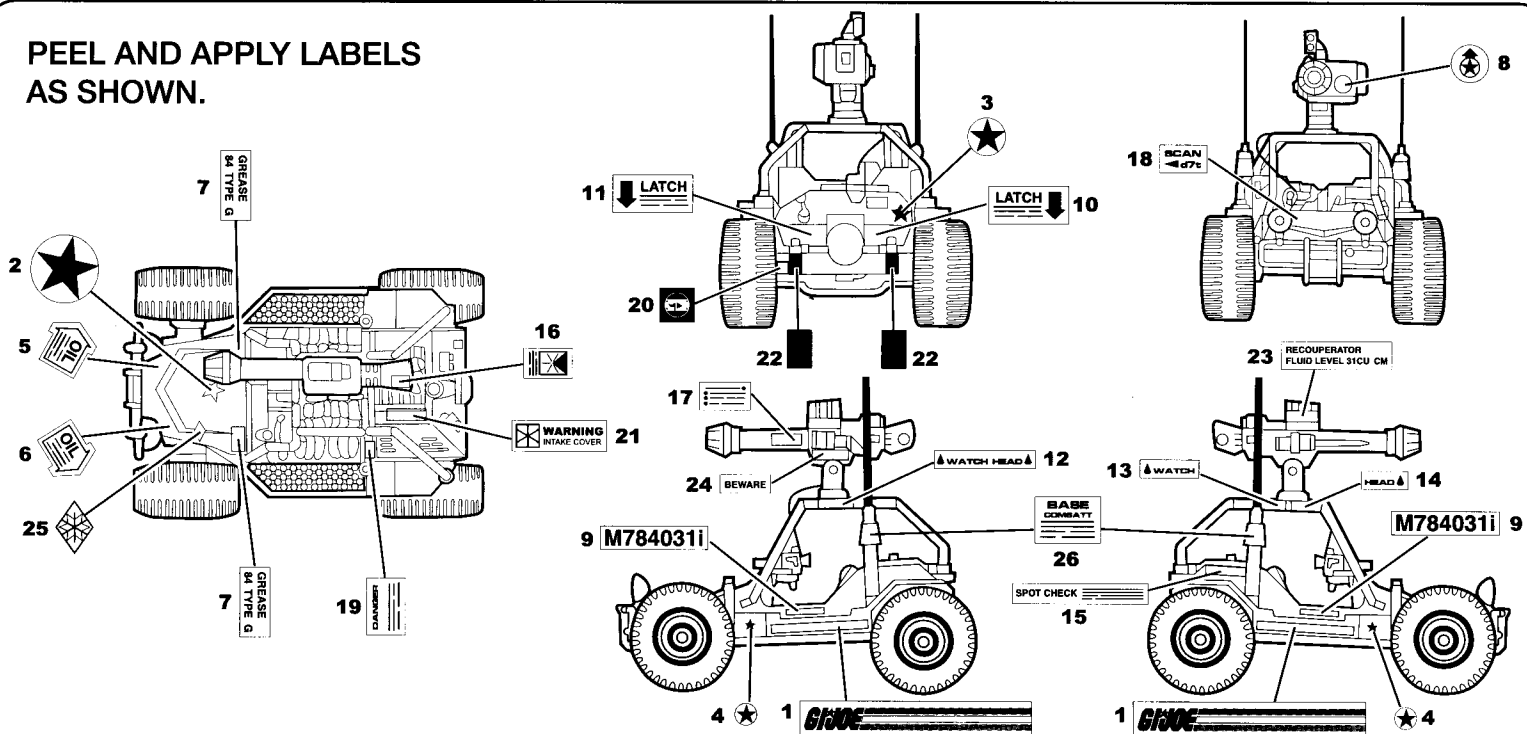


Insert post on cannon half into hole in other cannon half. Snap ends of cannon together. Insert thin side of cannon pintle into slot in bottom of cannon. Snap into place (7A). Snap cannon cap onto front of cannon. Insert cannon pintle into hole on top of roll bar. Fit one end of remote control cable onto post on side of camera. Fit other end over post on side of roll bar (7B).



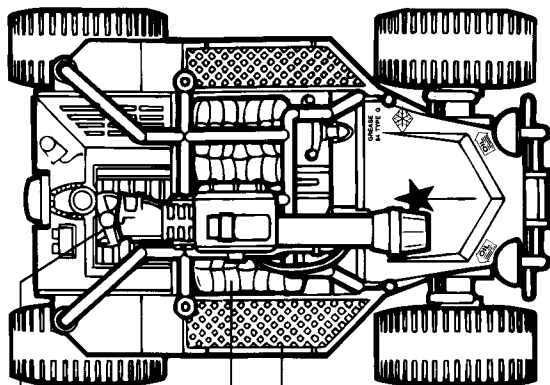
Press lenses into holes in bumper. Snap bottom of bumper onto tab on front of vehicle. Snap posts on antennas into holes on sides of roll bar. Place 2 tabs on engine cover under ledge in back of vehicle. Snap into place.

PEEL AND APPLY LABELS AS SHOWN.

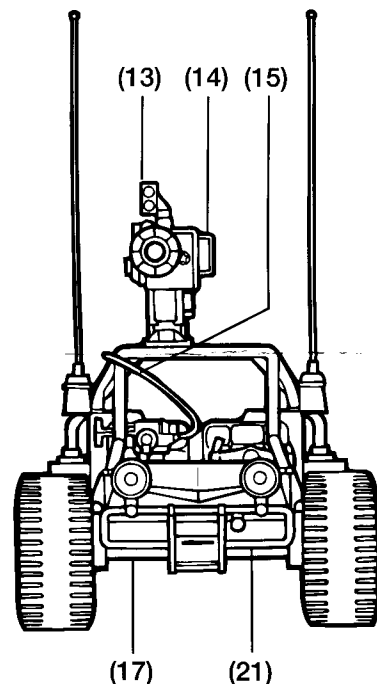
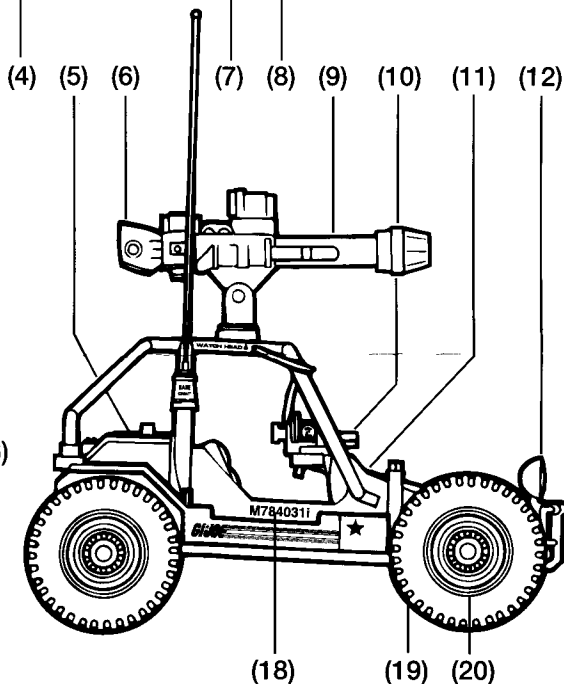
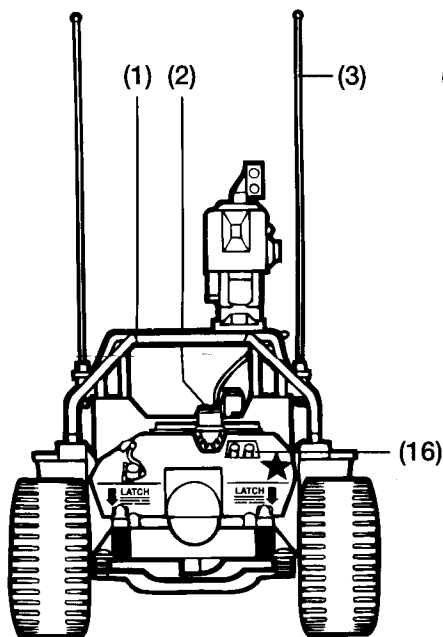


# A.W.E. STRIKER

- 1) EXTENDED SPACEFRAME ROLL BAR
- 2) FUEL FILLER RECEPTACLE
- 3) 2-WAY COMMUNICATIONS ANTENNAS
- 4) ENGINE RADIATOR/OIL COOLER WITH ELECTRIC COOLING FANS
- 5) QUICK-REPAIR ALUMINUM-ALLOY TRANSVERSE ENGINE
- 6) AUTOMATIC CANNON-COMPENSATION WEIGHT
- 7) INDIVIDUAL LOW-BACK COMPETITION SEATS
- 8) TWIN LATERAL BATTLE PLATFORMS
- 9) 10-ROUND, 70MM AUTOMATIC LAUNCHER
- 10) ADVANCE INFRARED SIGHTING/FIRE-CONTROL CAMERA



- 11) FIBERGLASS BODY OVER TUBULAR SPACEFRAME
- 12) QUARTZ-HALOGEN HEADLAMPS
- 13) SECONDARY CANNON SIGHTING OVER-RIDE CAMERA
- 14) CANNON-GUIDANCE INFORMATION PROCESSOR
- 15) CANNON CONTROL GUIDANCE LINK
- 16) ENGINE EXHAUST OUTLETS
- 17) FULLY-ADJUSTABLE NITROGEN-DAMPENED INDEPENDENT SUSPENSION
- 18) VEHICLE IDENTIFICATION NUMBER
- 19) 175-70-VR15 OFF-ROAD TYRES
- 20) STAMPED-STEEL 6.5 X 15 INCH WHEEL RIMS
- 21) FRONT BRUSHBAR



IN THE INTEREST OF BETTER QUALITY AND VALUE, WE ARE CONSTANTLY IMPROVING AND UPDATING OUR PRODUCTS. CONSEQUENTLY, PICTURES ON THIS PACKAGE MAY SOMETIMES DIFFER FROM THE MODEL ENCLOSED.

© 2000 Hasbro, Inc., Pawtucket, RI 02862 USA. All Rights Reserved.  
 © & TM denote Reg. U.S. Pat. & TM Office.

MADE IN CHINA