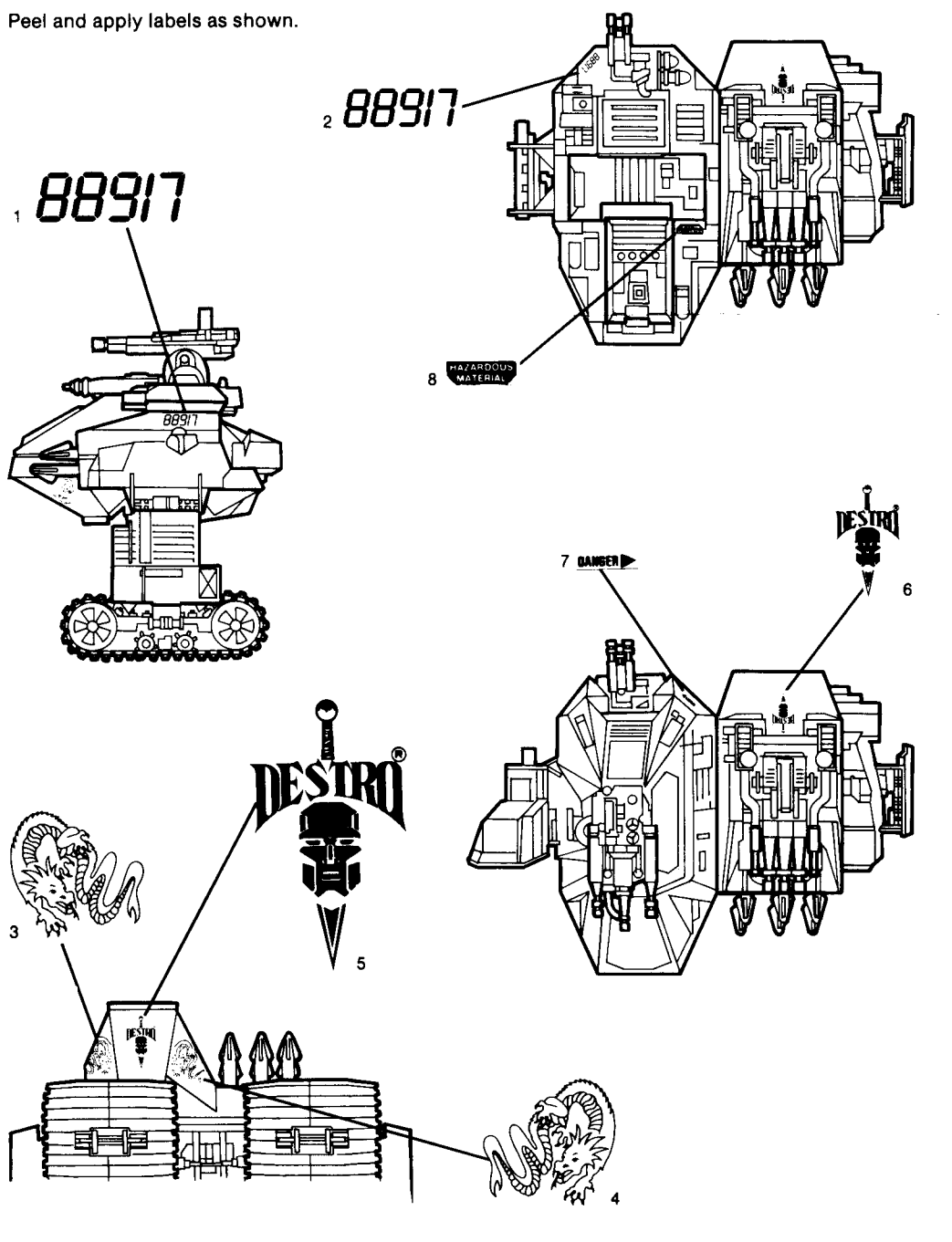
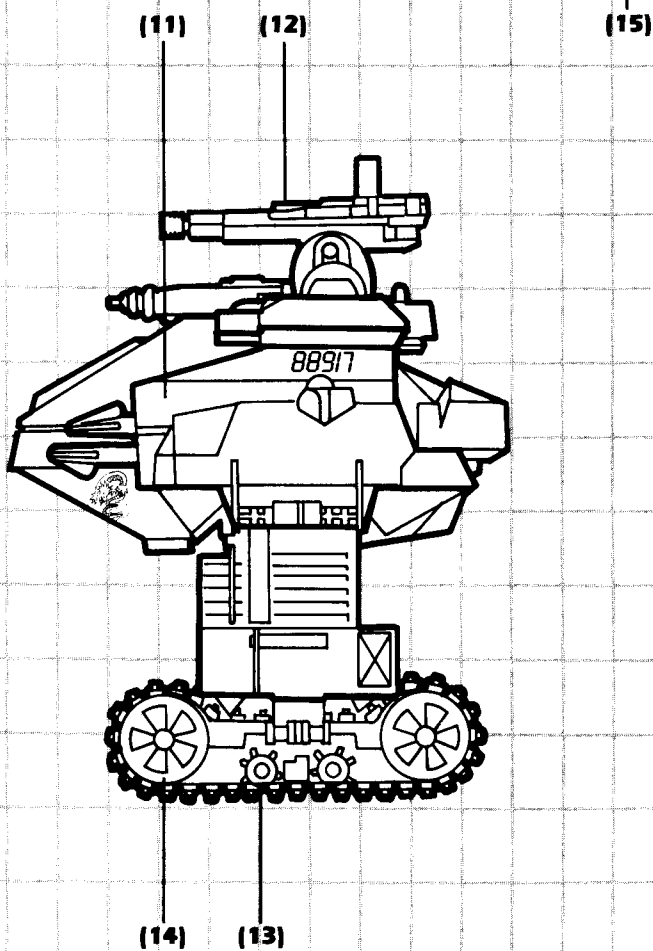
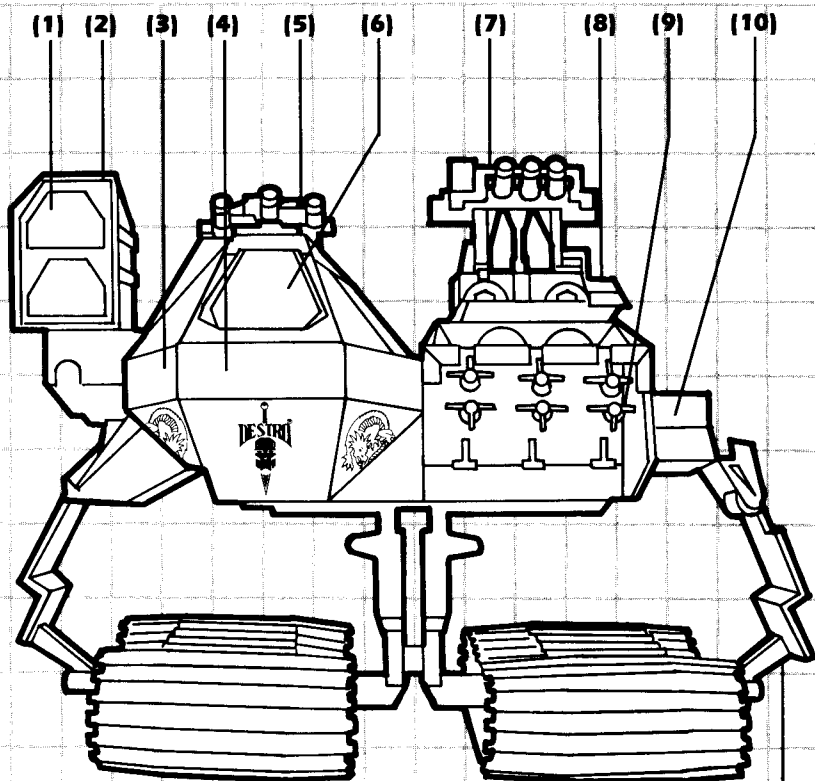


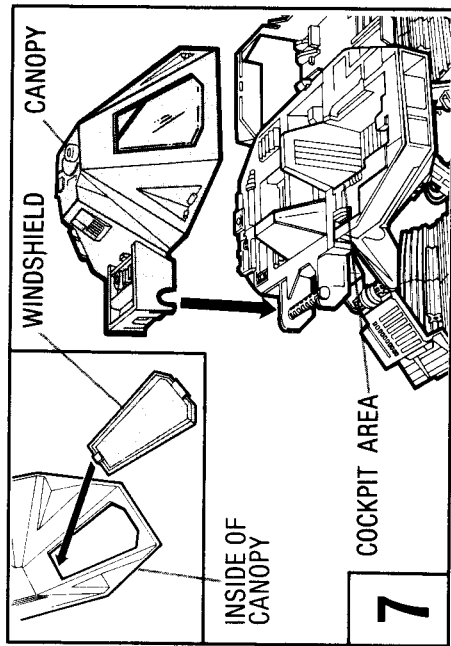
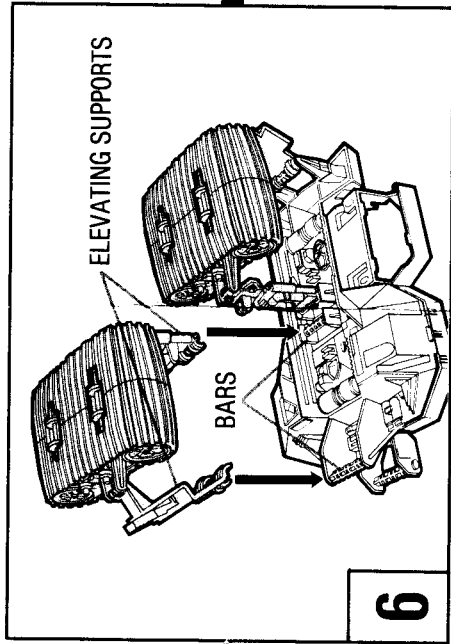
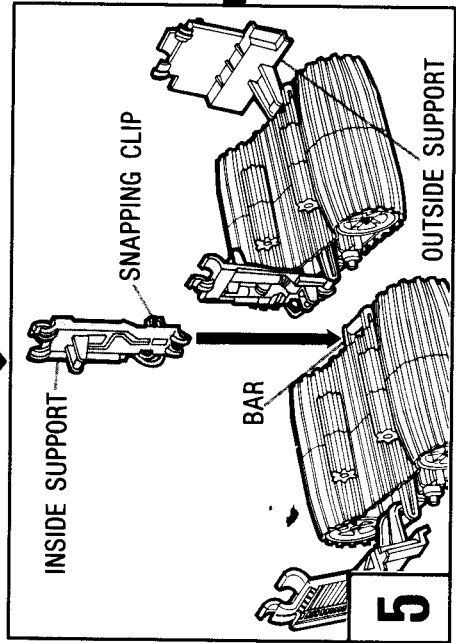
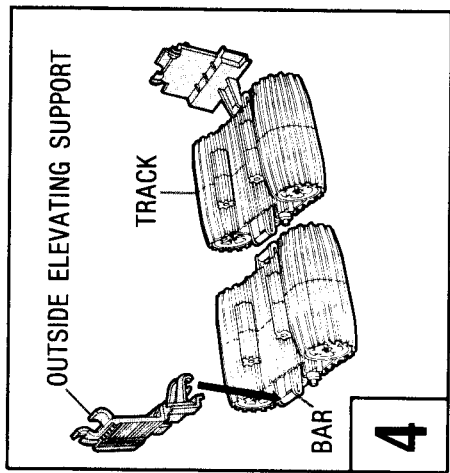
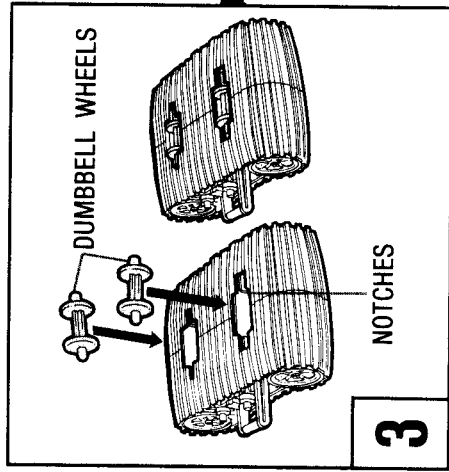
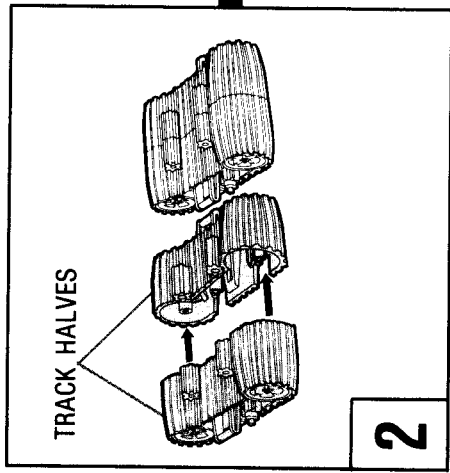
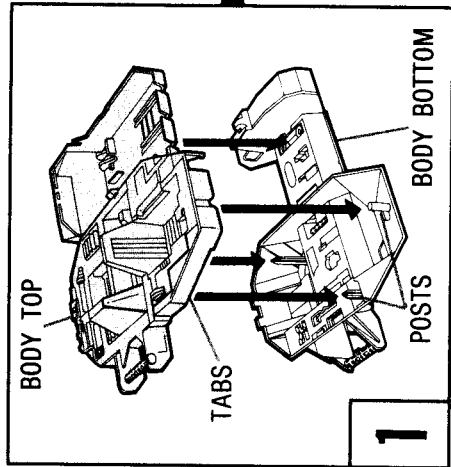
## D.E.M.O.N.™

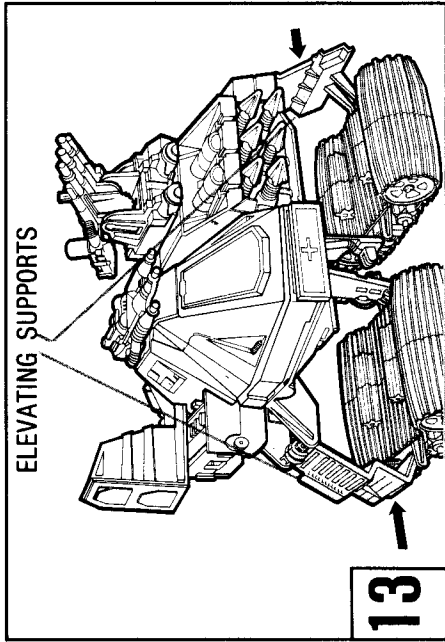
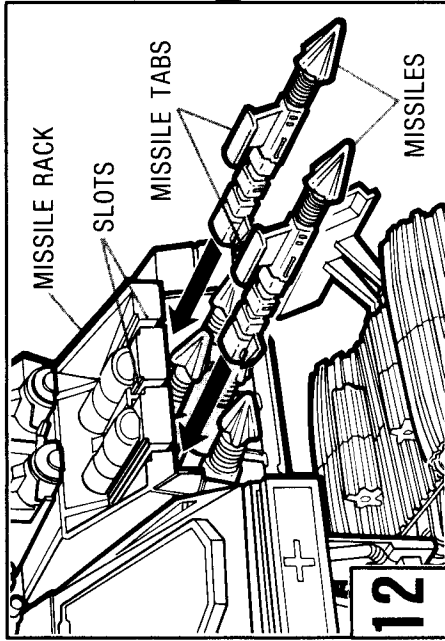
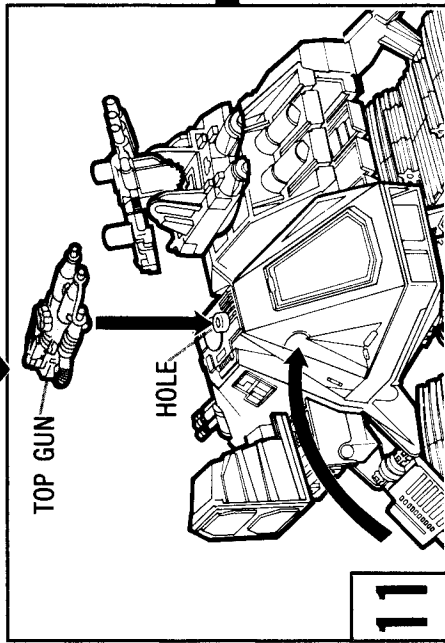
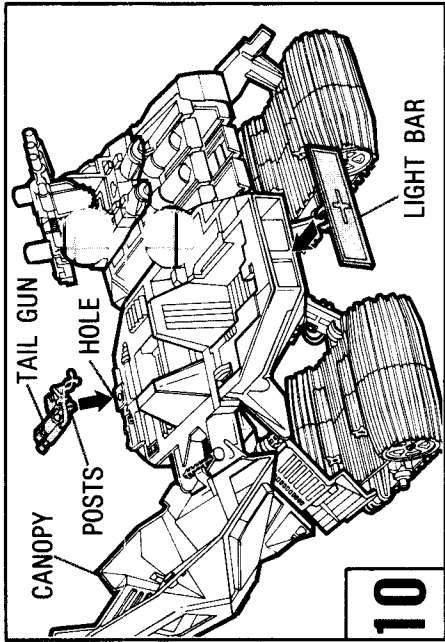
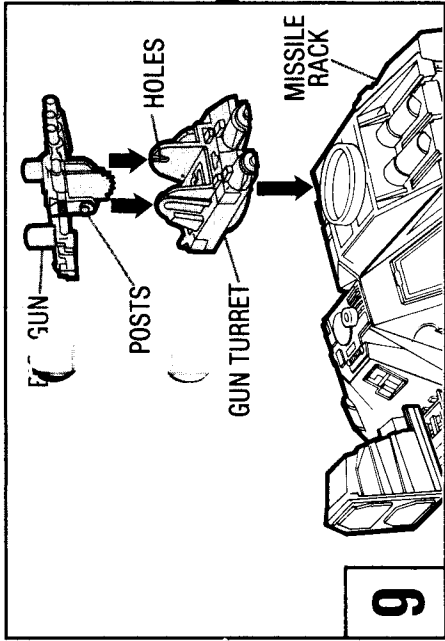
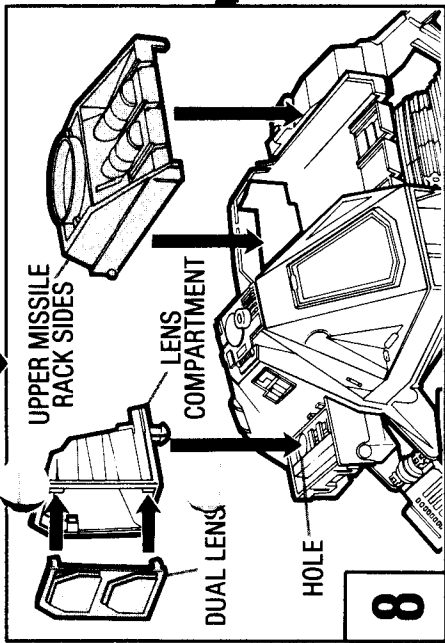
1. EXTREMELY HIGH INTENSITY XENON SPOTLIGHT/SOLAR COLLECTOR
2. SWIVELING EPHC (ELECTRONIC PILOT HELMET CONNECTION) SPOTLIGHT HOUSING
3. SIDE PIVOT ARMORED PERSONNEL HOUSING
4. THREE PERSON COCKPIT - COMMUNICATIONS/FIRE CONTROL/DRIVER
5. ROOF MOUNTED MAGNETIC ARRAY TRIPLE LENSE LASER
6. ANGLED "DEFLECTOR" BALLISTIC RESILANT WIND SCREEN
7. "INFINITY III" VARIABLE ENERGY PIVOTING TRIPLE BARREL LASER
8. "OMEGA" TARGET ACQUISITION SCANNER/PIVOTING BASE
9. "TRI-CAP" TRIPLE COMPUTER ASSISTED ANTI-AIRCRAFT, ANTI-PERSONNEL MISSILES
10. SUB-FRAME/CHASSIS LIFT SERVO MOTOR HOUSING
11. ARMORED PIVOTING MISSILE LAUNCH BAY HOUSING
12. THERMAL IMAGING OPTICAL SCANNER FOR INFINITY III LASER
13. TREAD HOUSING ELECTRONICALLY OPERATED DUAL SERVO MOTORS
14. MAIN DRIVE BOGEY
15. ARMORED SIDE-MOUNTED ELEVATION ARM

Peel and apply labels as shown.









1. Snap body top onto body bottom. (ILL. 1) (Note: Make sure body bottom's posts are facing up.)
2. Snap one set of track halves together. Repeat for other set of track halves. (ILL. 2)
3. Turn track upside down. Snap dumbbell wheels into notches on track. Repeat for other track. (ILL. 3)
4. Making sure track is right side up, snap outside elevating support onto bar on track as shown. Repeat for other elevating support. (ILL. 4)
5. Making sure the snapping clip is on the inside, snap inside elevating support onto bar on track. Repeat for other inside elevating support and be sure snapping bar is on the inside. (ILL. 5)
6. Turn body upside down. Snap outside and inside elevating supports on one track onto bars on body bottom. Repeat for other track. (ILL. 6)
7. Turn body right side up. Fit front windshield into canopy. (INSET) Snap canopy onto bar on side of cockpit area. (ILL. 7)
8. Snap dual lens into lens compartment, then snap lens compartment into hole in canopy side. Dual lens swivels. Snap posts on upper missile rack sides into holes located on inside of body as shown. (ILL. 8)
9. Snap gun turret into hole in missile rack. Snap posts on big gun into holes in turret. (Destro's® Despoiler™ fits onto holes on gun.) (ILL. 9)
10. Snap light bar into rectangular opening in body front. Lift up canopy and snap tail gun into hole in rear of cockpit. (ILL. 10)
11. Close canopy and snap top gun into hole in canopy top. (ILL. 11)
12. Insert missile tabs on 6 missiles into slots in missile rack. (ILL. 12)
13. To elevate D.E.M.O.N., push right and left tracks toward each other and snap inside elevating supports together. (ILL. 13)