

MAN-O-WAR™

Ages 5 & Up

57717

Remove all pieces from plastic frames. If you have difficulty, use safety scissors.

Includes: Hull top and bottom, weight, fin assembly, power plant cap, rubber seal, bridge with spring action launcher, 3 torpedoes, antenna, periscope and cannon.

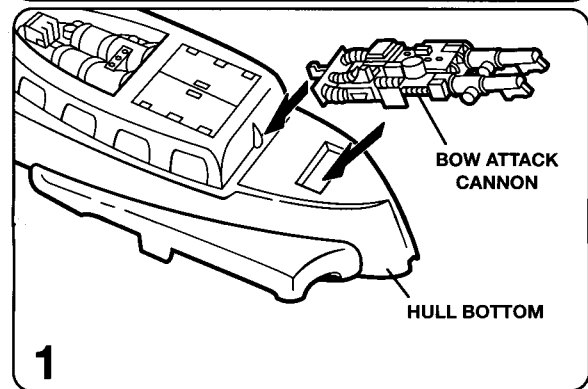
BAKING POWDER NOT INCLUDED.



WARNING:

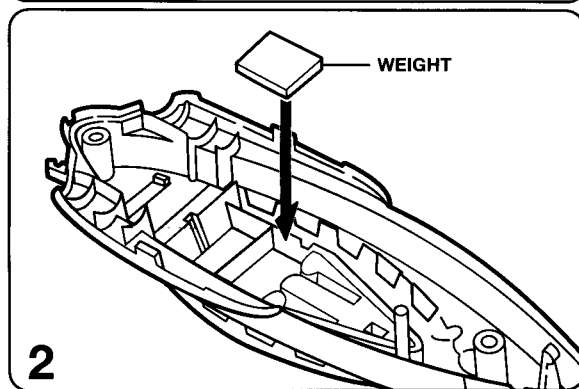
CHOKING HAZARD-Small parts.
Not for children under 3 years.

UNDERWATER TORPEDO UNIT ASSEMBLY



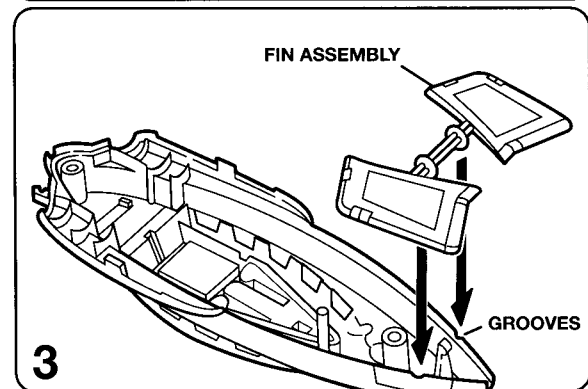
Turn hull bottom upside down. Hook bow attack cannon into hull bottom and snap into place as shown.

WEIGHT INSTALLATION



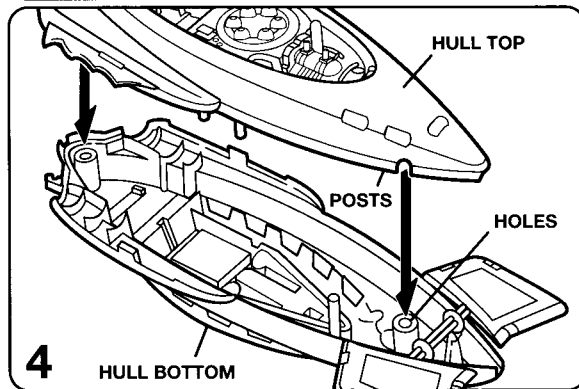
Turn hull bottom right side up. Place on table with pointed end facing you. Insert weight into middle compartment.

FIN ASSEMBLY INSTALLATION



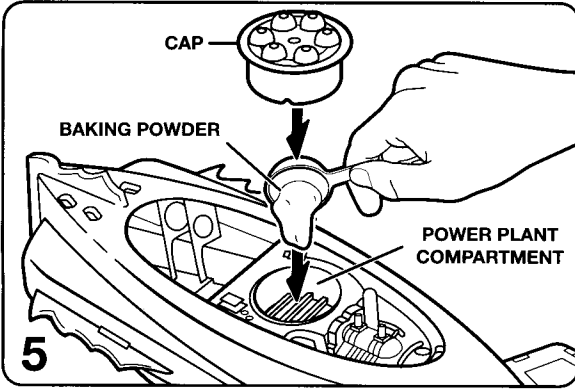
Place fin assembly in grooves at rear end of hull bottom.

HULL ASSEMBLY



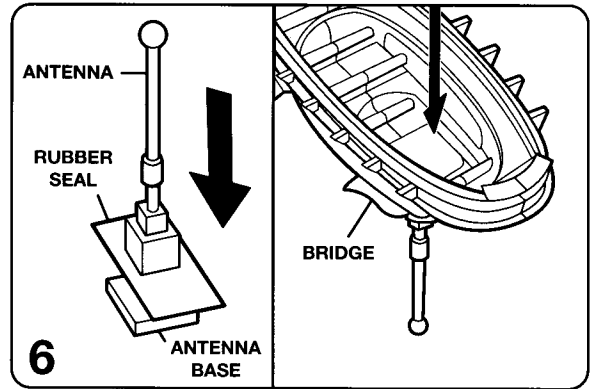
Insert posts on hull top into holes on hull bottom. Snap into place.

TO FUEL SUB



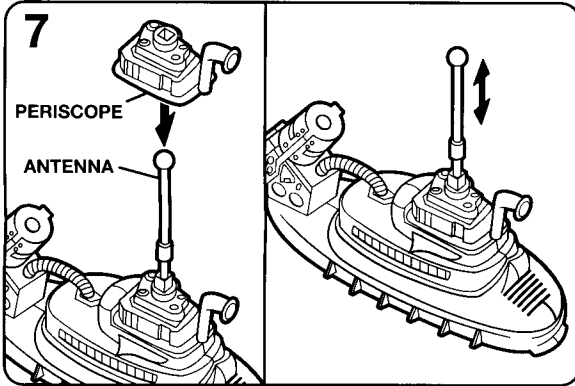
Remove cap, wipe power plant dry and fill halfway with fresh **BAKING POWDER** (not included). Replace cap.
Note: If you have difficulty removing cap, use a small coin to pry it off.

ANTENNA INSTALLATION



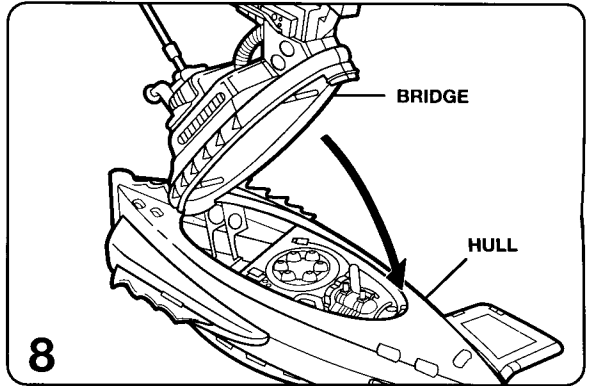
Turn bridge upside down. Fit rubber seal over antenna and slide down to antenna base. Put antenna all the way through opening. Antenna will move up and down.

PERISCOPE INSTALLATION



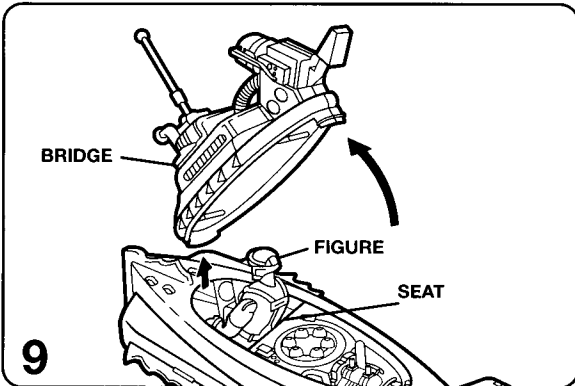
Holding antenna in place, turn bridge right side up. Slide periscope assembly over antenna. Snap into place.

INSTALLATION OF BRIDGE



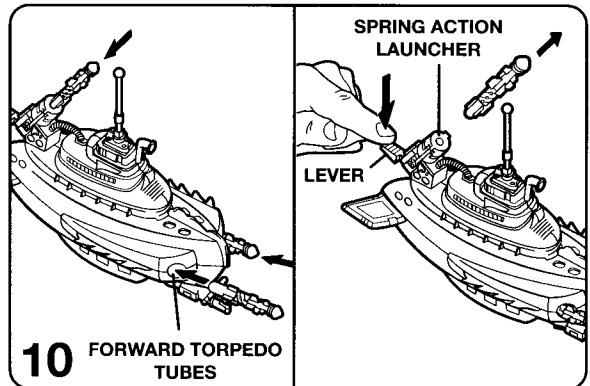
Hook bridge into hull top and snap into place as shown.

FIGURE PLACEMENT



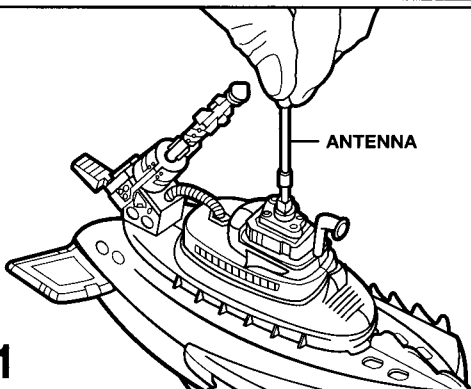
When LAMPREYS™ is on a mission, remove bridge and place him in the seat located in the upper hull. Replace bridge.

AMMO LOADING/PLACEMENT



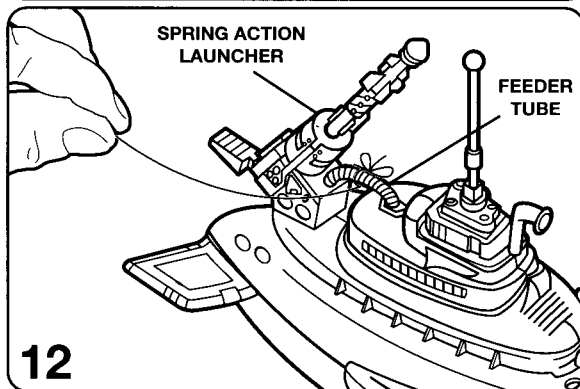
Load two of the long-range torpedoes into forward torpedo tubes, then insert third torpedo into spring action launcher. Press lever to fire torpedo.

OPERATION OF SUB



To send sub on its first mission, hold antenna and place in water. Sub will sink and rise to the surface.

TO PREVENT LOSS OF SUB



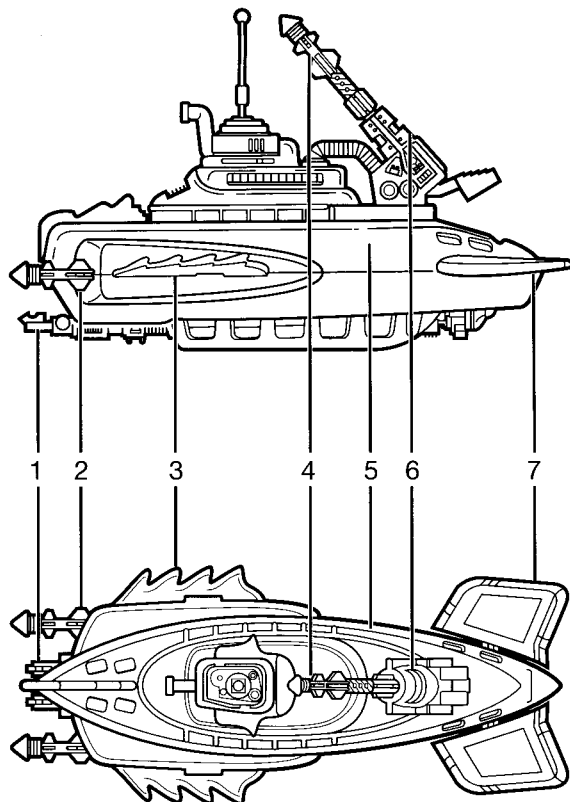
When playing in large or deep bodies of water, remember to tie a string around feeder tube of spring action launcher. This will prevent sub from floating away.

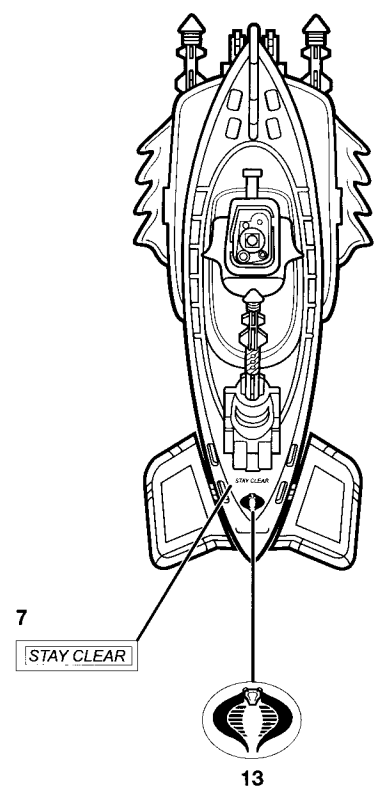
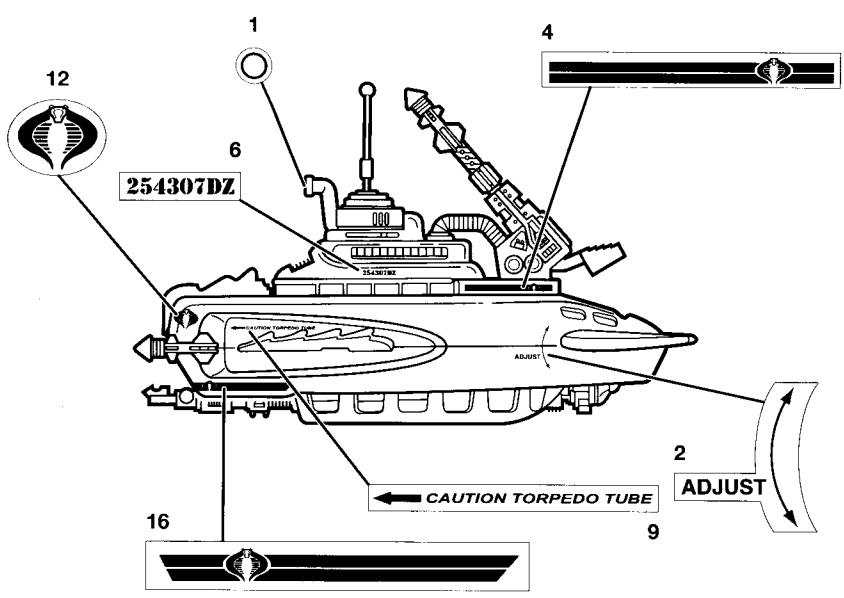
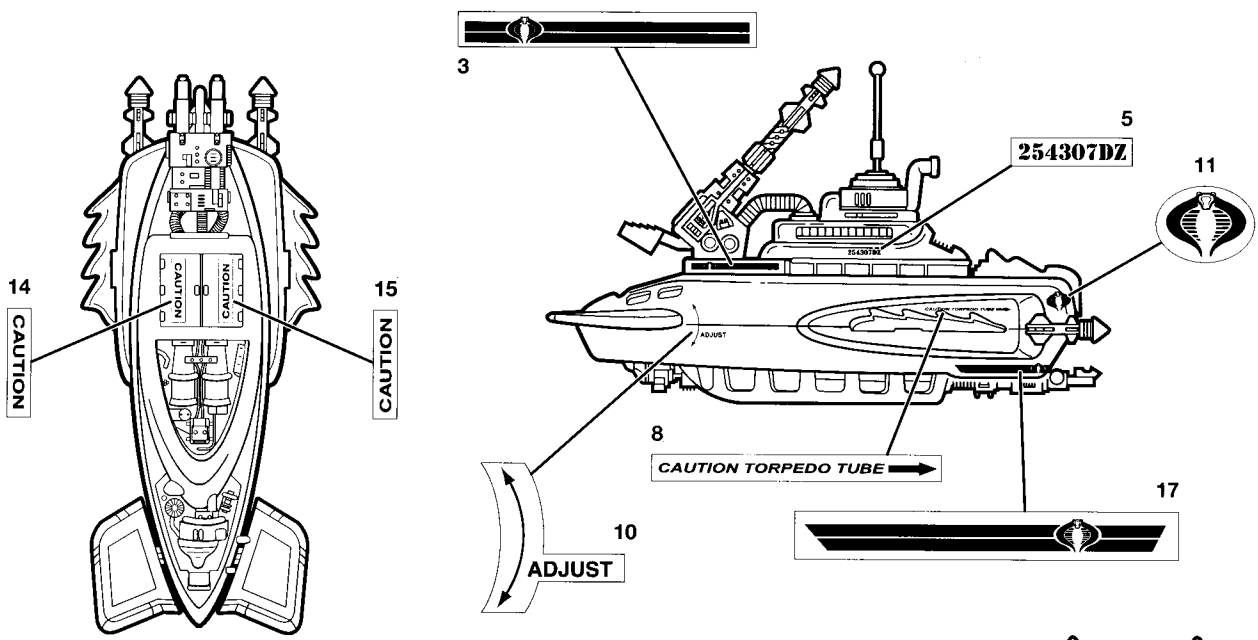
GI JOE

THE REAL AMERICAN HERO® COLLECTION

MAN-O-WAR™

- 1) SUBAQUATIC BOW ATTACK CANNON
- 2) TORPEDO STORAGE TUBES SHIELDED WITH TOP SECRET ALLOY
- 3) "STEEL-SLICING" CUTTER FINS WITH LETHAL QUICK-SLICE BARBS
- 4) LONG-RANGE, TITANIUM REINFORCED SHREDDER TORPEDOES
- 5) ATTACK-RESISTANT POWER PLANT HOLDS ORGANIC FUEL POD
- 6) HIGH-IMPACT, POLYCONIC TORPEDO LAUNCHER WITH MEGA ROUND CAPACITY
- 7) MOVEABLE STABILIZER FINS WITH NAVIGATIONAL INDICATOR FLAPS





IN THE INTEREST OF BETTER QUALITY AND VALUE, WE ARE CONSTANTLY IMPROVING AND UPDATING OUR PRODUCTS. CONSEQUENTLY, PICTURES ON THIS PACKAGE MAY SOMETIMES DIFFER FROM THE MODEL ENCLOSED.

© 2000 Hasbro, Inc., Pawtucket, RI 02862 USA. All Rights Reserved.

® & TM denote Reg. U.S. Pat. & TM Office.

MADE IN CHINA

PN 47294300