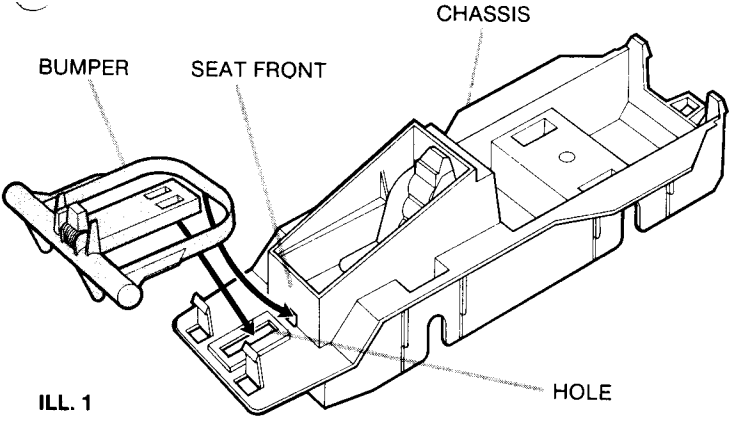
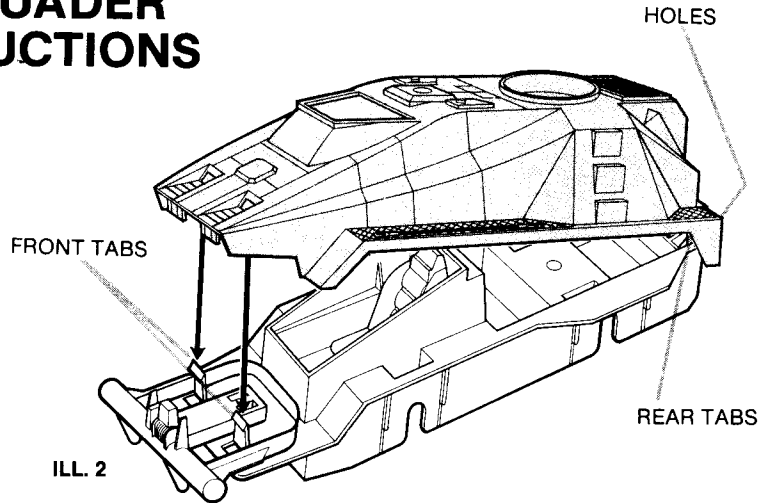


Remove all pieces from plastic frames. If you have difficulty, use safety scissors.

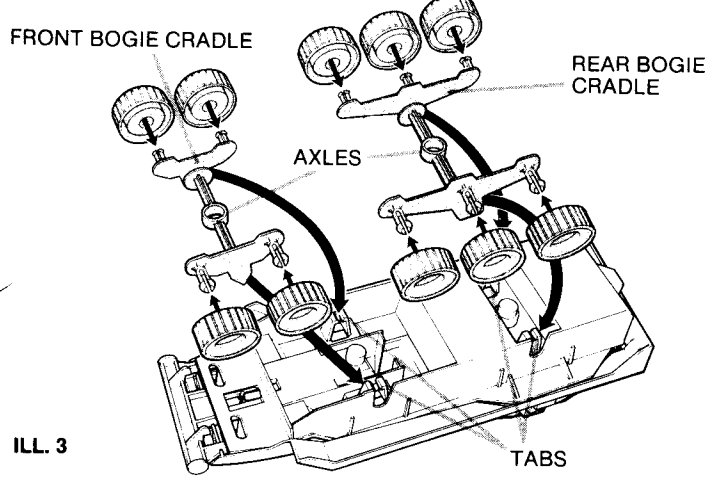
PERSUADER INSTRUCTIONS



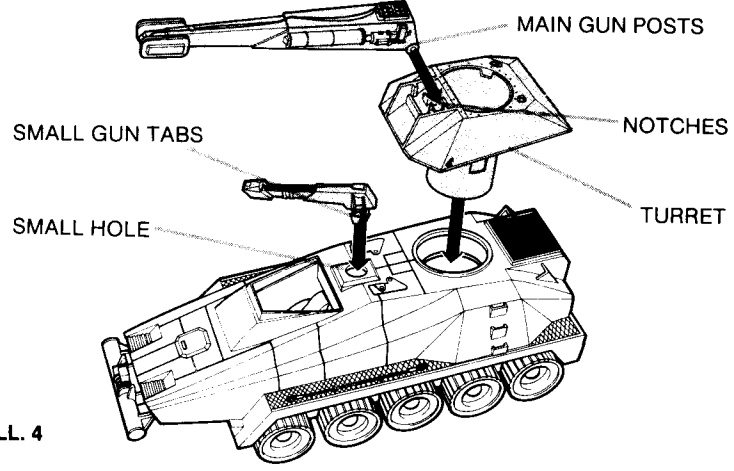
1 Press flexible bumper against seat front and snap tabs through hole in chassis. (ILL. 1)



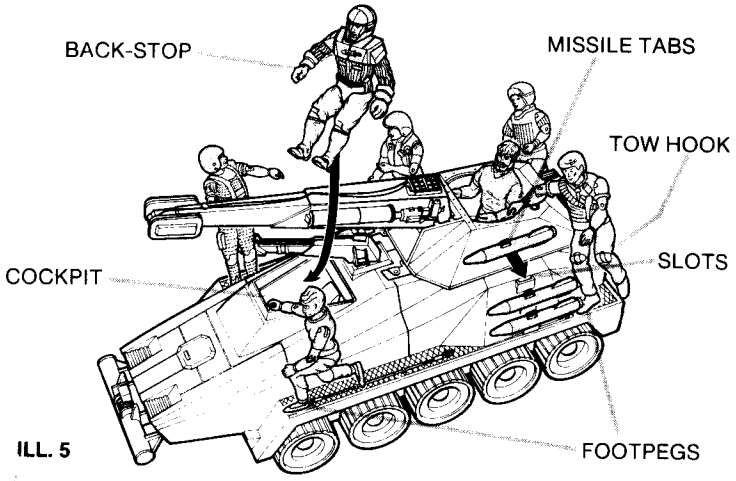
2 Fit rear tabs on chassis into holes in rear of body. Snap front tabs into place. (ILL. 2)



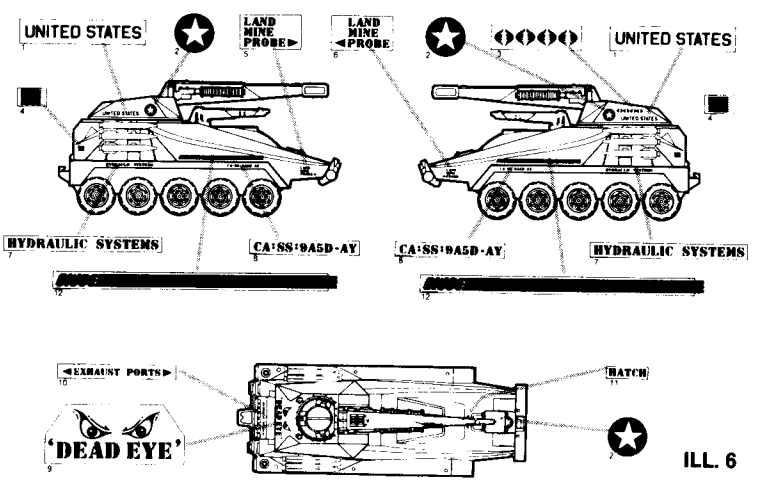
3 Turn vehicle over. Snap wheels over 4 front and 6 rear axles. Snap 4-wheel bogie cradle between tabs in front and 6-wheel bogie cradle between tabs in rear of chassis as shown. (ILL. 3)



4 Turn vehicle right side up. Snap tabs on small gun into small hole in body. Snap turret into body. Snap main gun posts into notches in turret. (ILL. 4)



5 Press missile tabs into slots on body sides. Place G.I. Joe BACK-STOP in cockpit, another Joe in gun turret and 6 additional Joes on footpegs. Tows most G.I. Joe vehicles! (Includes G.I. Joe BACK STOP, other figures sold separately.) (ILL. 5)



6 Peel and apply labels as shown. (ILL. 6)

G.I. JOE PERSUADER

- 1) MONOPULSE DRIVER-OPERATED LASER CANNON
- 2) SLOPED DRIVER BALLISTIC DEFLECTION SHIELD
- 3) RAKED IMPACT DEFLECTION NOSE SECTION
- 4) REINFORCED TUBULAR FRONT PUSHBAR
- 5) ALL WHEEL INDEPENDENT SUSPENSION
- 6) ALL-TERRAIN 10 WHEEL DRIVE UNIT/TRANSAXLE
- 7) HIGH INTENSITY INTEGRATED XENON HEADLAMPS
- 8) "PIN POINT" REFLECTION ACQUISITION TARGETER
- 9) OVER-TRACK BATTLE TRANSPORT PLATFORMS
- 10) "HEATWAVE" 10 MEGAWATT ARMOR-PIERCING LASER CANNON
- 11) AUTOMATIC LASER STABILIZATION SYSTEM
- 12) "DART" SAM-37 250 LB. MISSILES
- 13) LAYERED COMPOSITE DEFLECTION-SHAPED TURRET
- 14) AGT 1200 HP. TURBINE ENGINE/GENERATOR
- 15) REARWARD FACING VERTICAL-FINNED INTERCOOLER/RADIATOR

