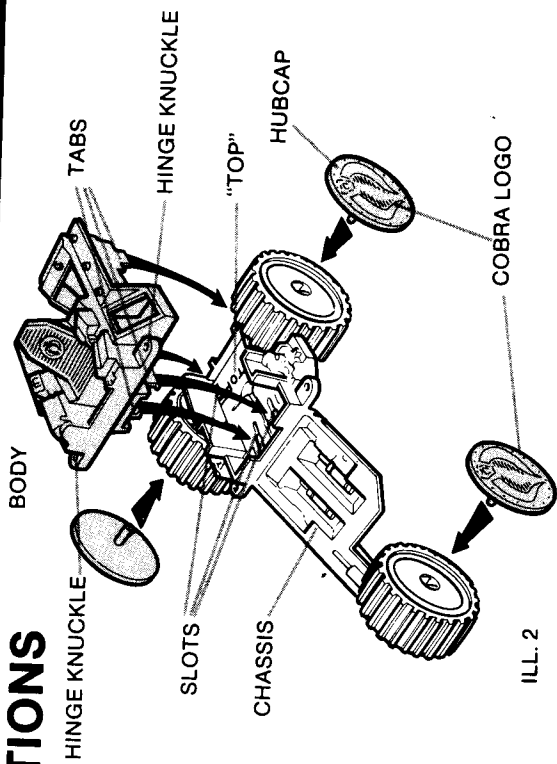
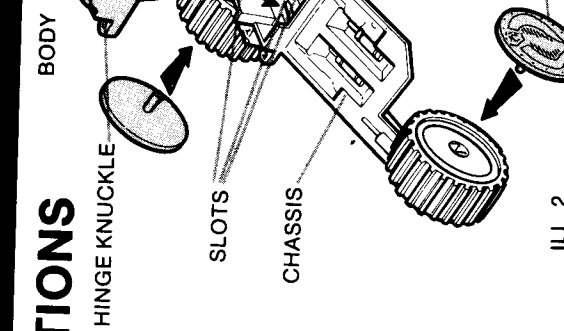
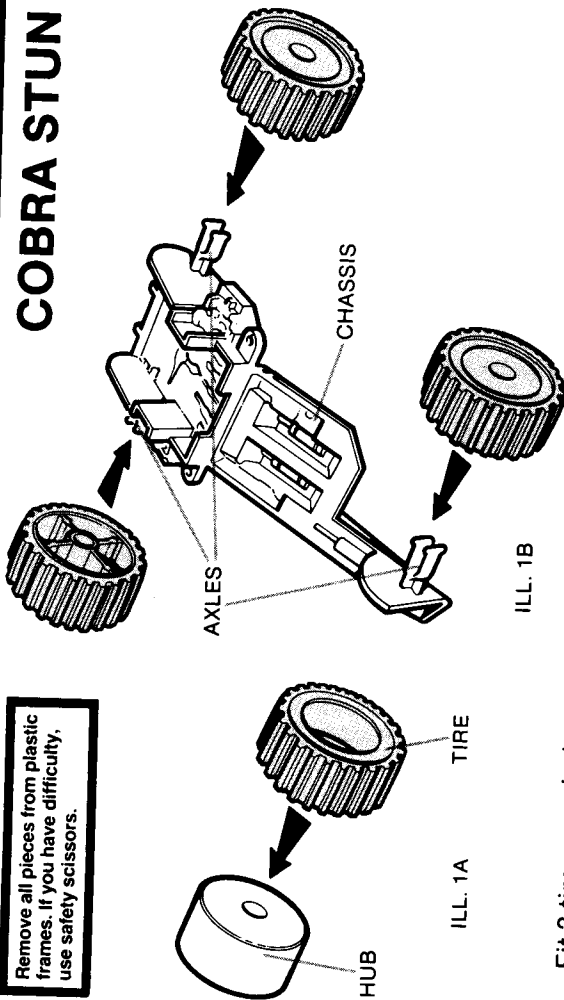


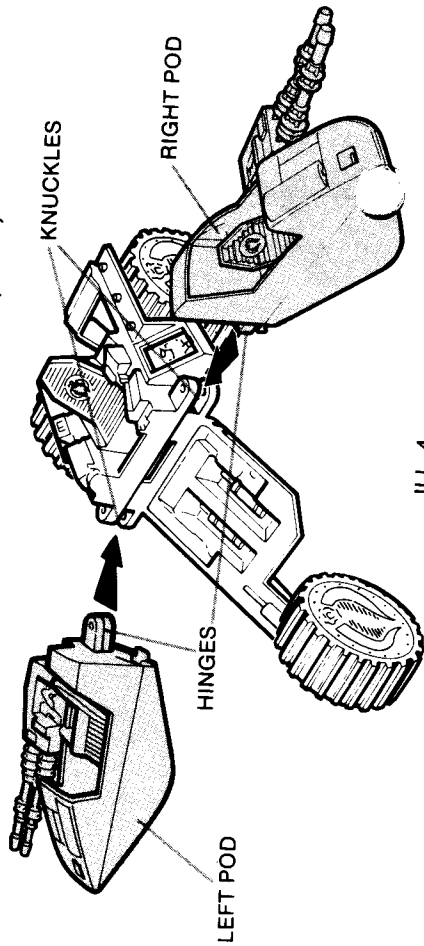
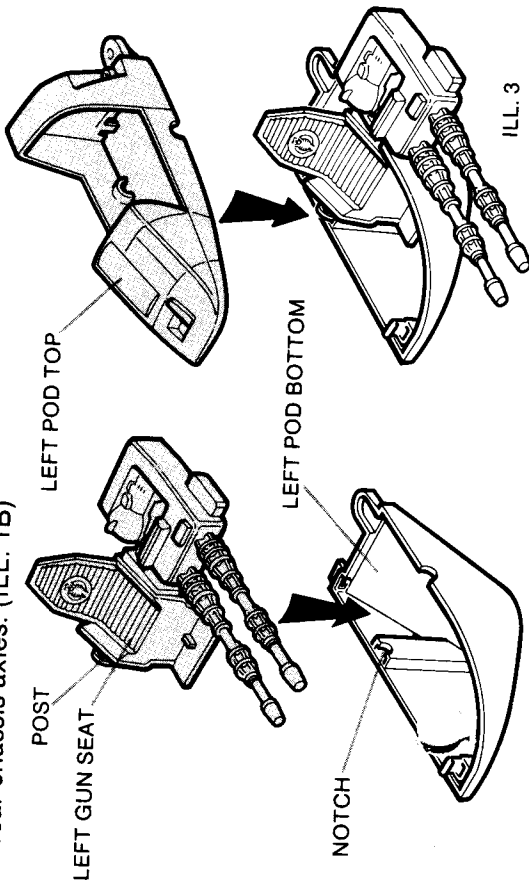
Remove all pieces from plastic frames. If you have difficulty, use safety scissors.

COBRA STUN INSTRUCTIONS

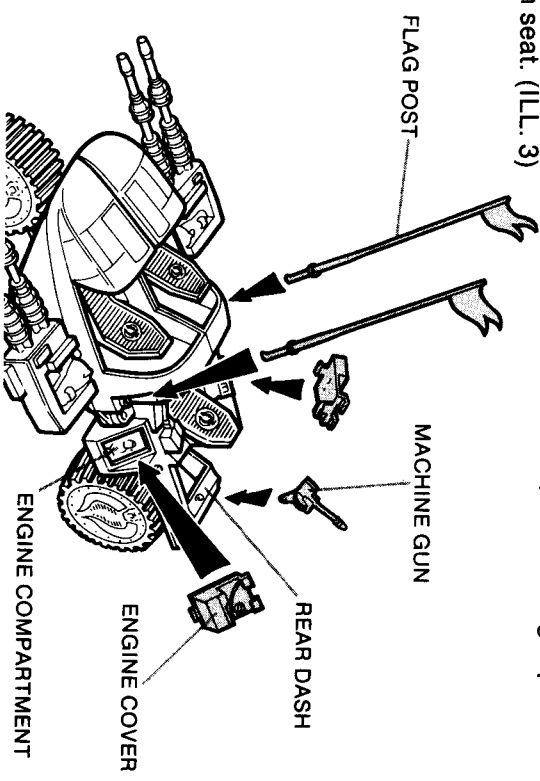


1 Fit 3 tires over hubs as shown. (ILL. 1A) Snap hubs over front and rear chassis axles. (ILL. 1B)

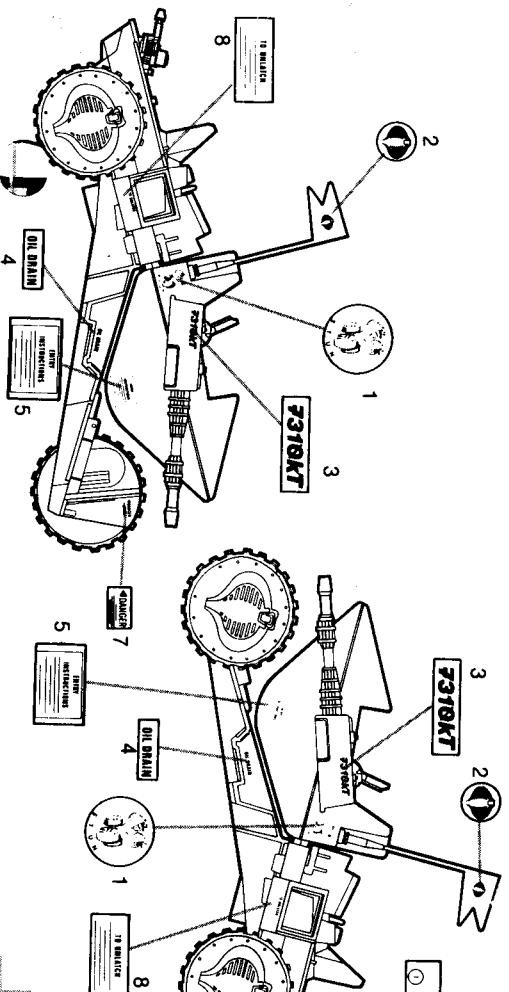
2 Snap 2 rear tabs on underside of body into slots in top of chassis. Grasp hinge knuckles on body and chassis and snap front tabs into slots. NOTE: Make sure all 4 tabs are snapped securely into chassis. With Cobra logo straight, press Cobra hubcaps over posts in axles. (ILL. 2)



3 NOTE: Left and right pods and gun seats are marked "L" and "R". Place post on left gun seat into notch in left pod bottom. While holding gun seat in place, snap left pod top onto pod bottom. Repeat with right pod and right gun seat. (ILL. 3)

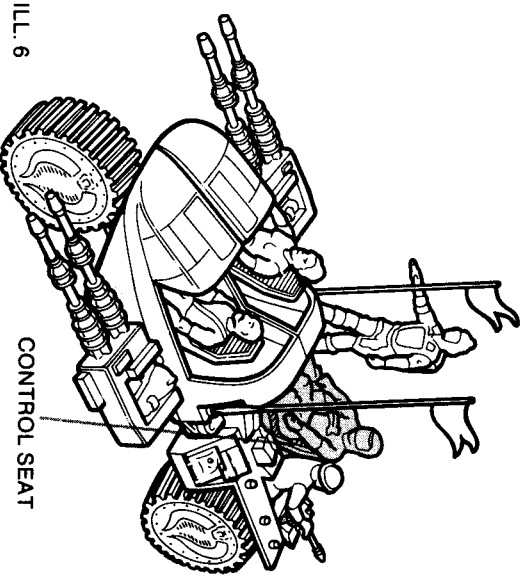


5 With flags facing rear, tilt flag posts forward and push into holes in pods. Insert bottom tab on engine cover into engine compartment. Snap top tabs into place. Repeat with other side. (Engine covers are removable) Snap machine gun into hole in rear dash. (ILL. 5)

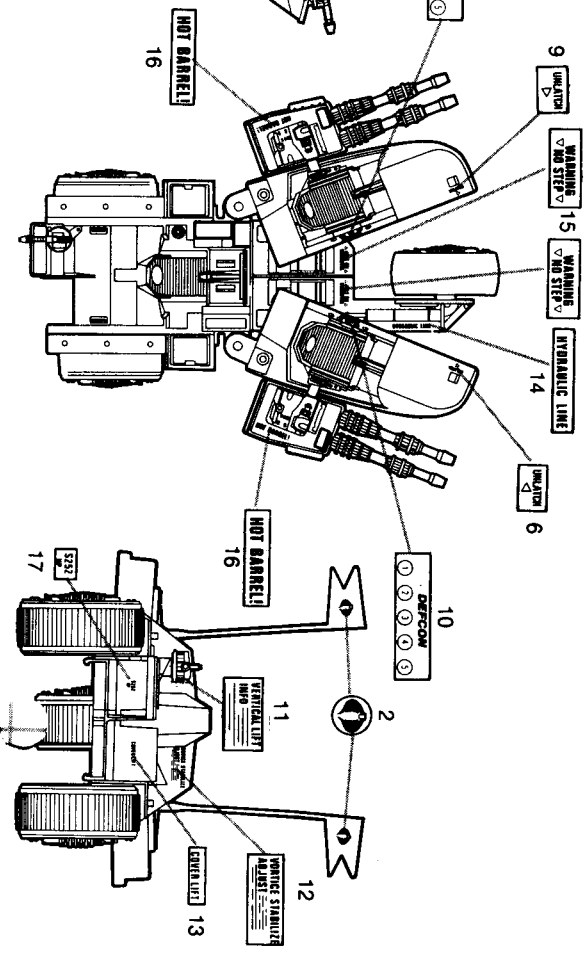


7 Peel and apply labels as shown. (ILL. 7)

4 Snap hinge on right pod between knuckles on right side of body. Repeat with left pod. (Pods lock into body for high speed attack positions. In battle mode, the frontend splits and firing positions elevate.) (ILL. 4)



6 Seat driver MOTOR VIPER at the controls and man the sentry vehicle with 10 more Cobra figures! (Other figures sold separately.) (ILL. 6)



GI JOE

STUN

- 1) "CHARIOT" TYPE BATTLE-ARMOR WHEEL SHIELDS
- 2) ALL-TERRAIN PUNCTURE-PROOF TIRES
- 3) MONO-WHEEL EXTENDED CHASSIS MEMBER
- 4) "BLAZER" TWIN ROTATING LASER BATTLE CANNONS
- 5) CANNON CONTROL MONITORS/OPTIC SENSORS
- 6) TWIN COBRA BATTLE FLAGS
- 7) CANNON CONTROL/BATTLE COMMAND SEATS
- 8) SEPARATING BORON/EPOXY BATTLE SHELLS
- 9) CONCEALED POLY-SAC FUEL CELLS
- 10) REARWARD BATTLE COMMAND DRIVER SEAT
- 11) REARWARD PERSONNEL/STORAGE PLATFORM
- 12) SIDE-MOUNTED PERSONNEL PLATFORM/FENDER
- 13) "ROUND-OFF" CIRCULAR MAGAZINE 9MM MACHINE GUN

