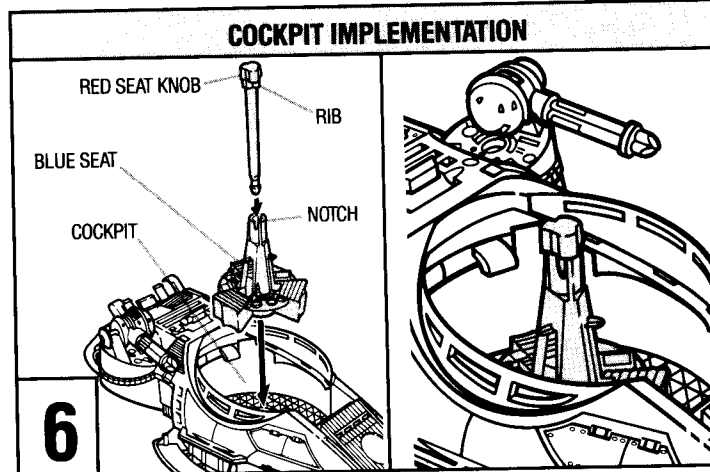
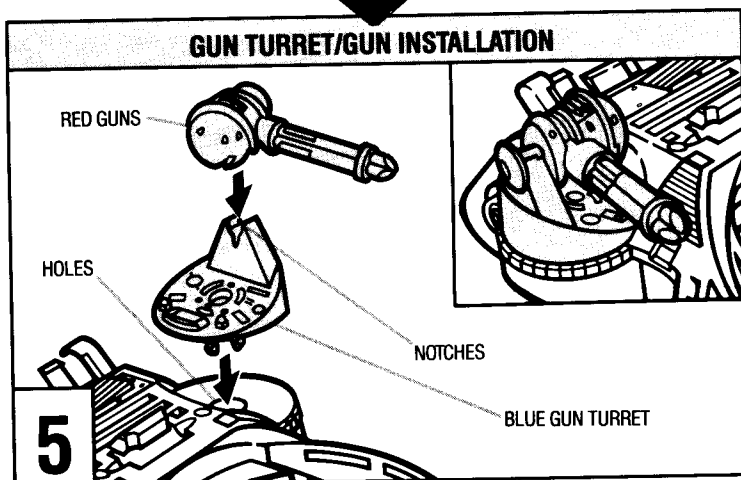
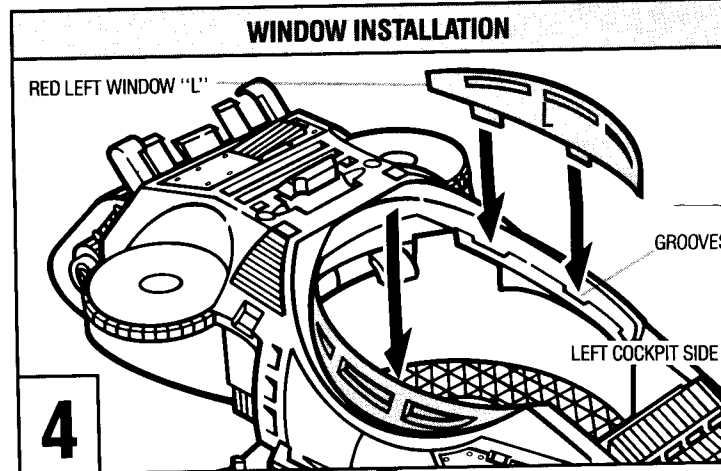
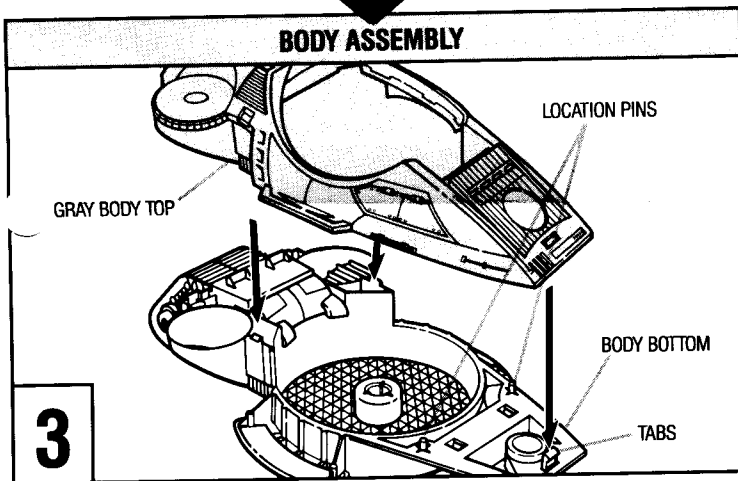
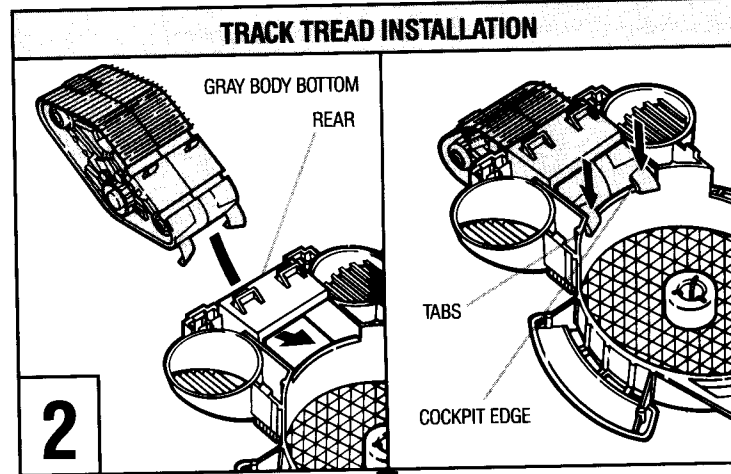
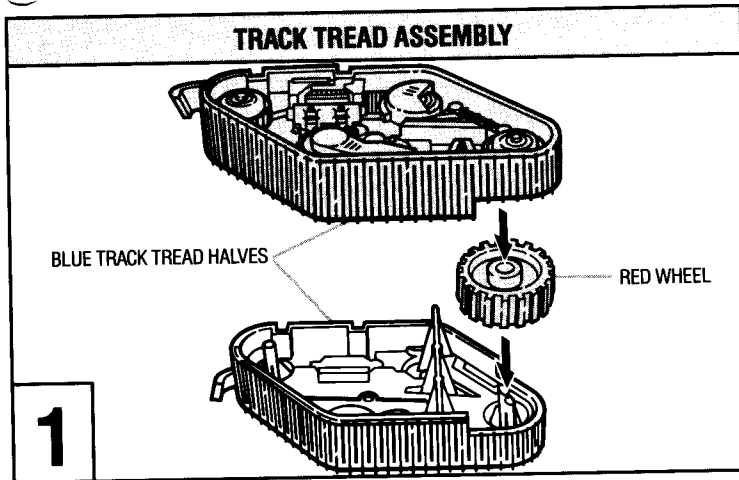
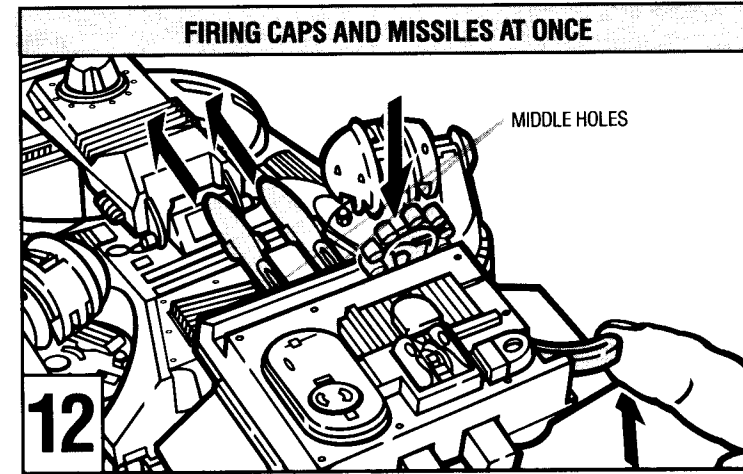
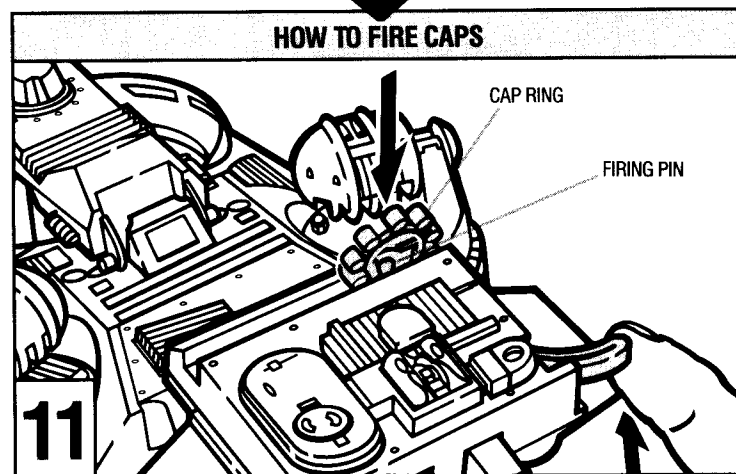
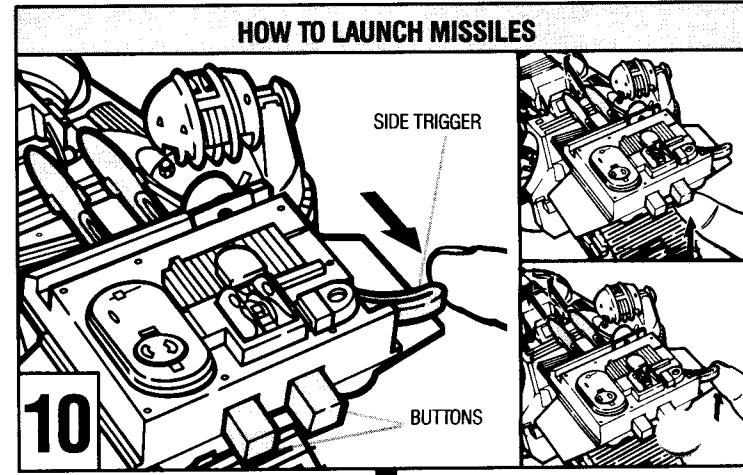
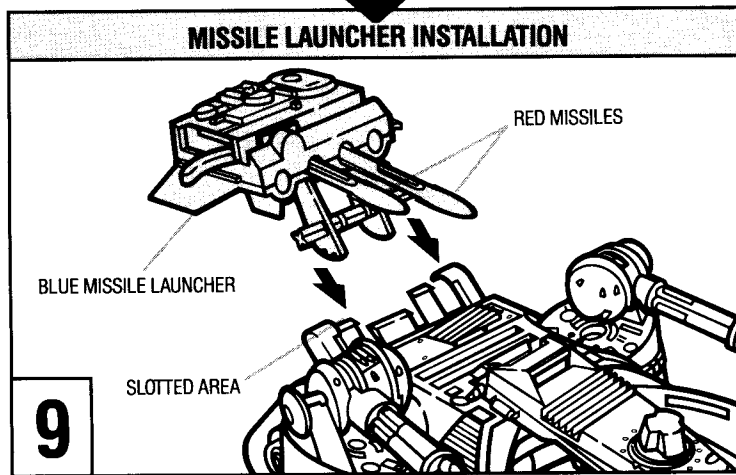
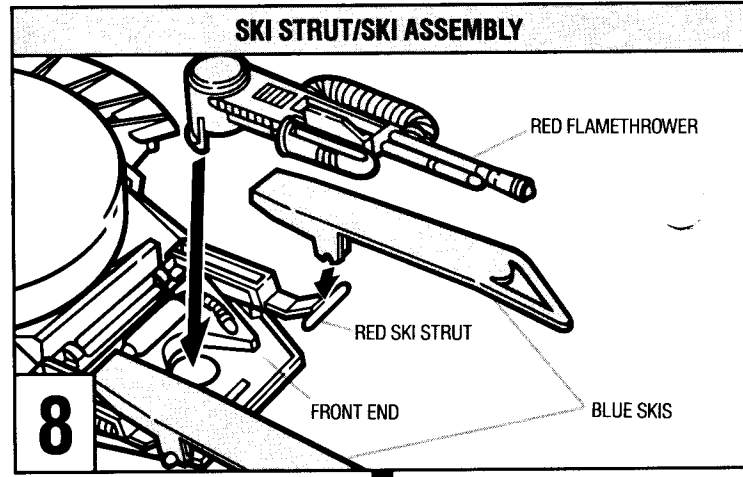
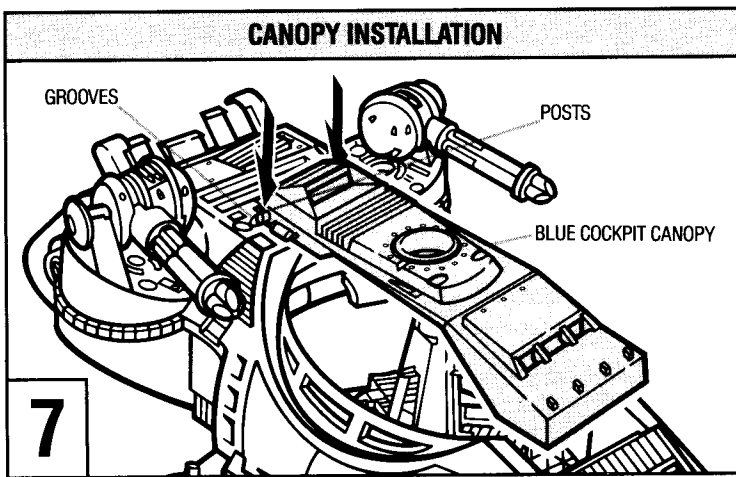


Includes: Body top, body bottom, track tread halves, track wheel, cockpit canopy, seat, seat knob, 2 windows, flamethrower, 2 skis, ski strut, 2 gun turrets, 2 guns, cap-firing missile launcher, missiles, 2 rings of caps and label sheet.



- 1** Turn one blue track tread half upside down. Fit red track wheel over post on a track. Snap track tread halves together. (ILL. 1)
- 2** Slide track assembly up through rear of gray body bottom, then hook tabs on tracks over edge of cockpit as shown and lock into place. (ILL. 2)
- 3** Snap gray body top onto gray body bottom. Be sure to align location pins and tabs prior to assembly. (ILL. 3)
- 4** Fit red left window, labeled "L", into grooves in left cockpit side. Repeat for right window, labeled "R" on right cockpit side. (ILL. 4)
- 5** Snap blue gun turrets into holes in left and right rear sides of body. Snap red guns into notches on gun turrets and swing down guns as shown. (ILL. 5)
- 6** Fit blue 3-man seat over post in cockpit. Snap red seat knob into hole in center of seat. Make sure rib on knob fits into notch in seat. (ILL. 6)



7 Snap posts on blue cockpit canopy onto grooves in top of vehicle. (ILL. 7)

8 Turn body upside down. Snap red ski strut onto front end. Snap blue skis onto ski strut. Snap red flamethrower onto front of vehicle. (ILL. 8)

9 Turn body right side up. Slide blue missile launcher into slotted area in body rear. Fit red missiles into 2 middle holes in launcher until locked into place. (ILL. 9)

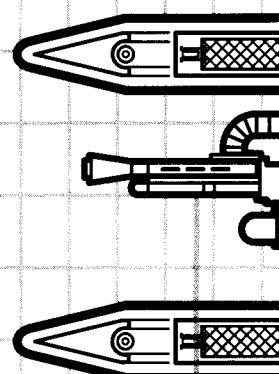
10 Pull back side trigger until it locks into position. To fire missiles individually, lift up one of the two buttons on back of launcher. To fire simultaneously, lift up side trigger. (ILL. 10)

11 Pull back trigger until it locks into position. Align cap ring with firing pin. To fire, lift up trigger. NOTE: Trigger must be locked into position **before** inserting missile. (ILL. 11)

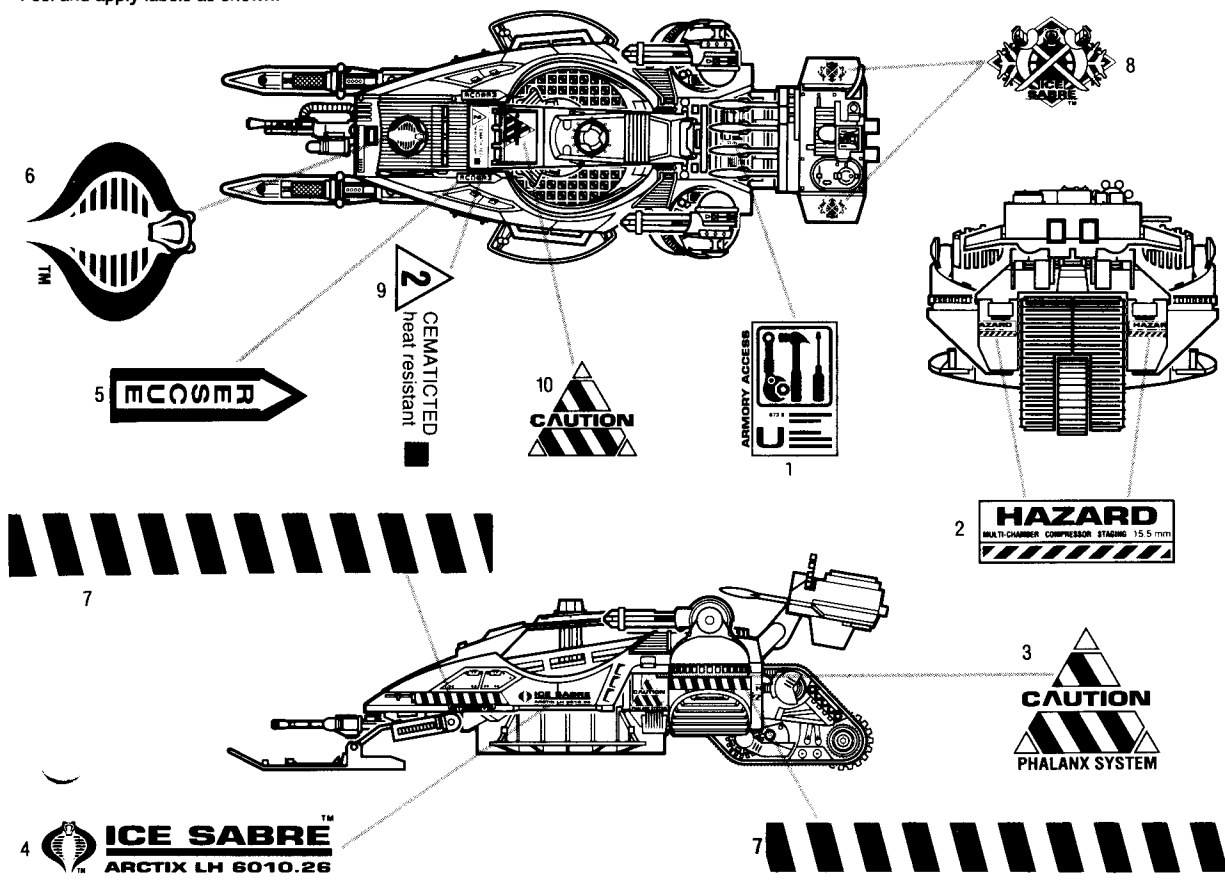
12 Pull back trigger until it locks into position. Fit missiles into 2 middle holes in launcher until locked into place. Fit cap ring over firing pin. To fire, lift up trigger. NOTE: To clean firing pin, use warm water and soap. Dry thoroughly before use. (ILL. 12)

COBRA™ ICE SABRE™

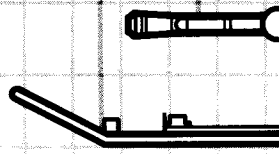
- 1) PIVOTING, FRONT-MOUNTED TUNDRA SKIS
- 2) PATH-CLEARING, INJECTED CANNON
- 3) ULTRAVIOLET RAY ENERGY RECEIVING GRILLE
- 4) EXTERNAL ORDNANCE STORAGE COMPARTMENTS
- 5) FORWARD COCKPIT SECTION DIRECTIONAL VERIFIER
- 6) OUTER RING DEFENSE ARMAMENTS PERSONNEL STATION
- 7) CIRCULAR OPERATIONS AREA WITH DUAL TITANIUM PROTECTIVE PLATING
- 8) REAR SIDE-MOUNTED CANNONS WITH ANTI-AIRCRAFT DEFENSE CAPABILITY
- 9) SHIELDED TURRET WITH COMPUTER CONTROLLED TARGET FINDERS
- 10) LONG RANGE, TERRAIN HUGGING, NEUTRONIC MISSILE
- 11) FULL ELEVATION, SWINGING MISSILE LAUNCHER SYSTEM WITH LASER GUIDANCE ADJUSTERS
- 12) SONIC WAVE LENGTH HOMING RECEPTICAL MODULATOR
- 13) MICROPROCESSOR FOR RAPID LOCK-ON AND MISSILE LAUNCH INITIATION

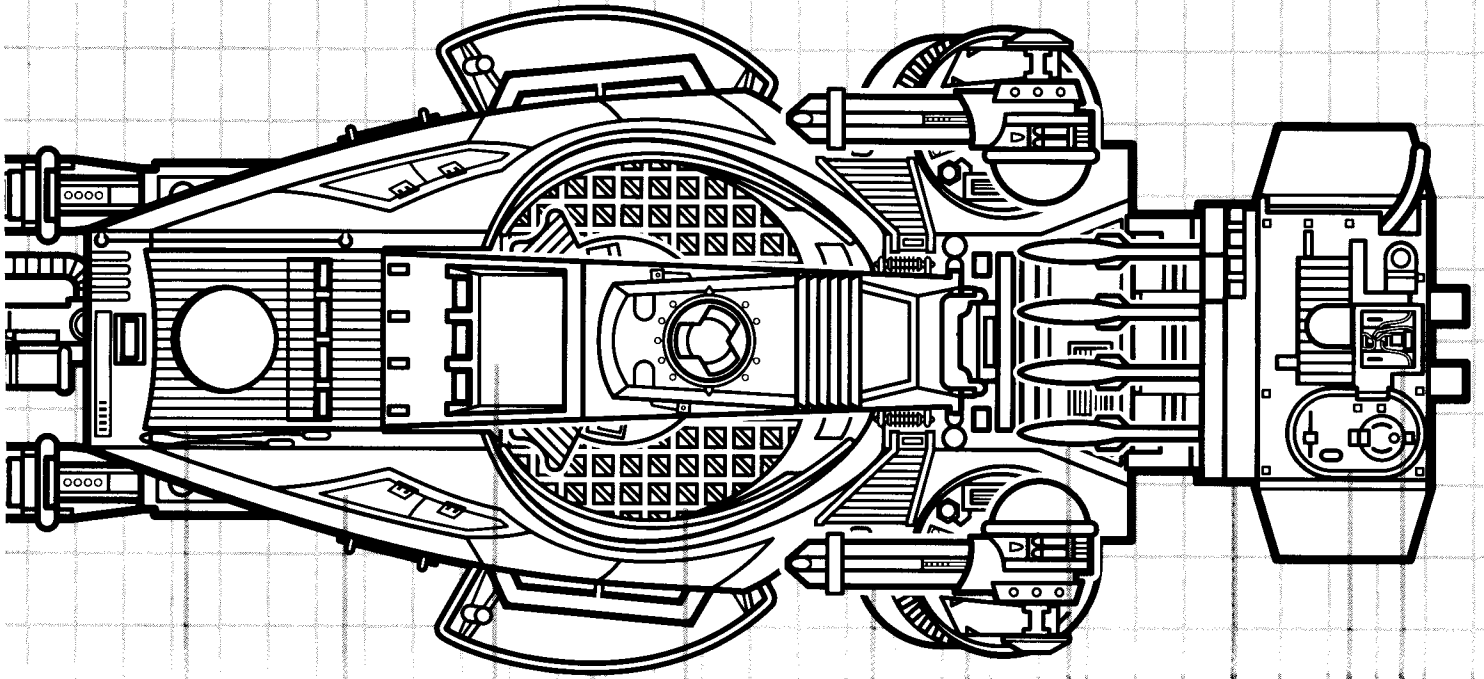


Peel and apply labels as shown.



(1) (2)





(3)

(4)

(5)

(6)

(7)

(8)

(9)

(10)

(11)

(12) (13)

