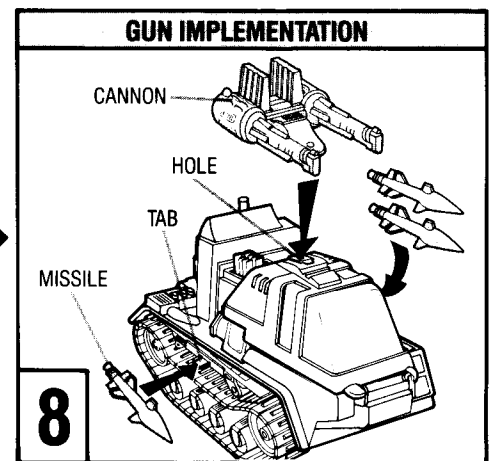
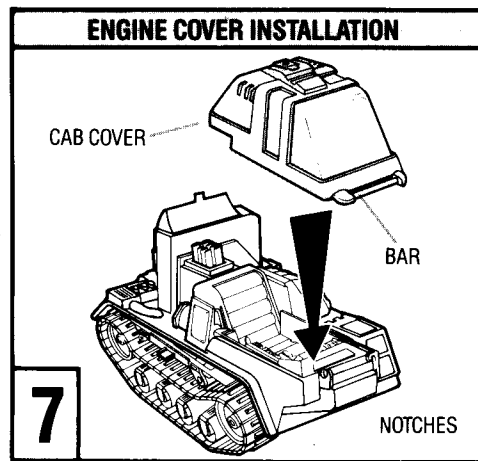
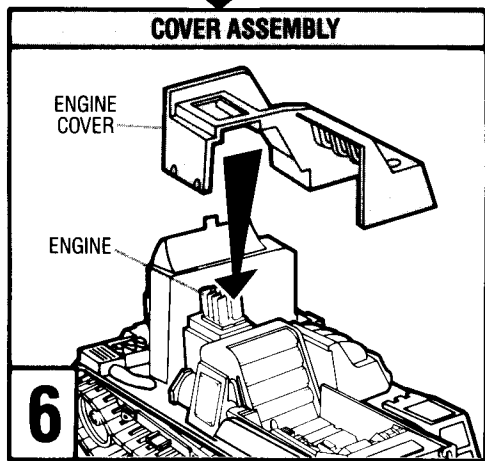
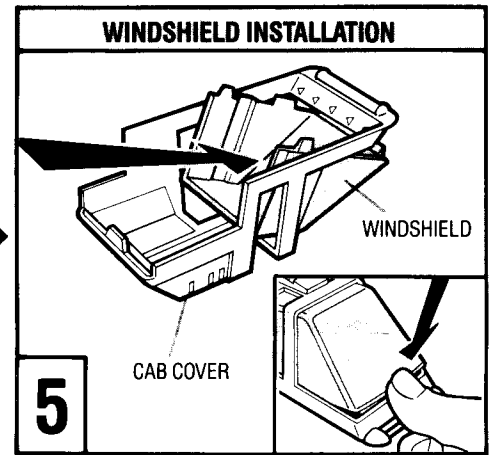
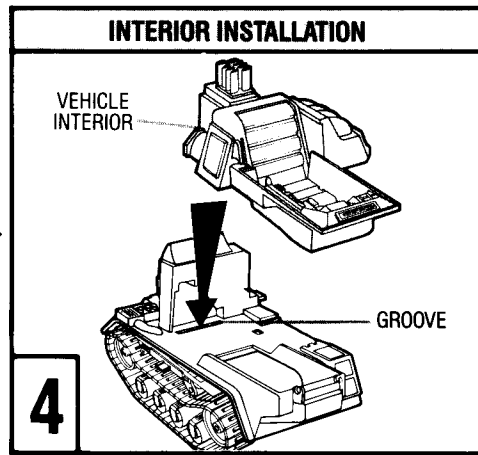
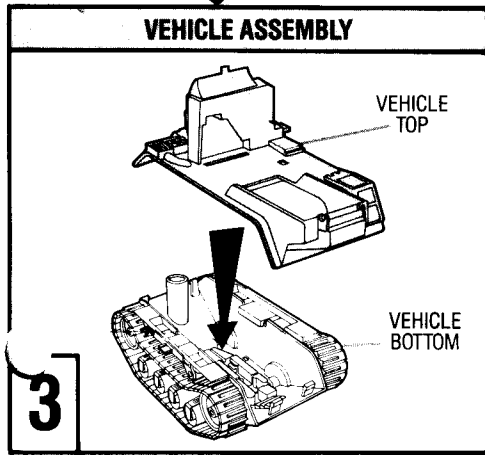
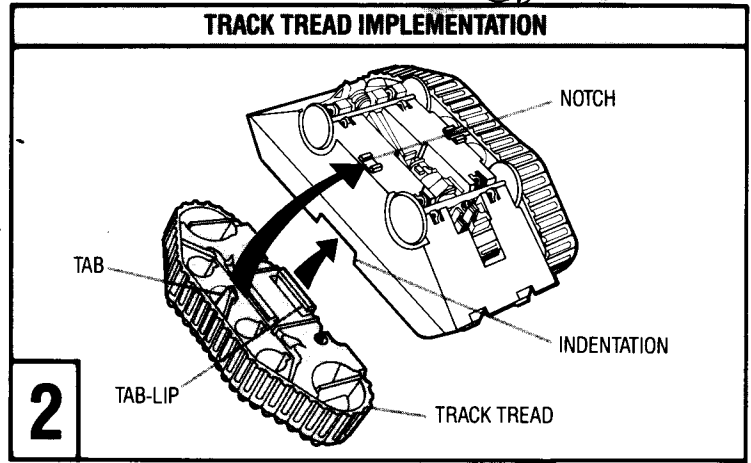
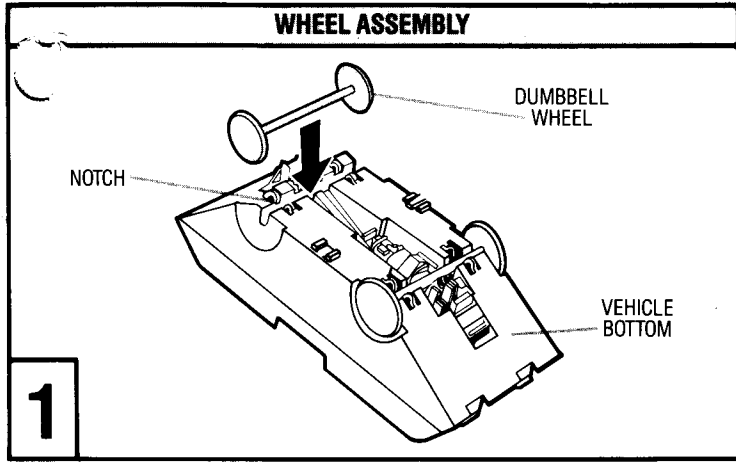


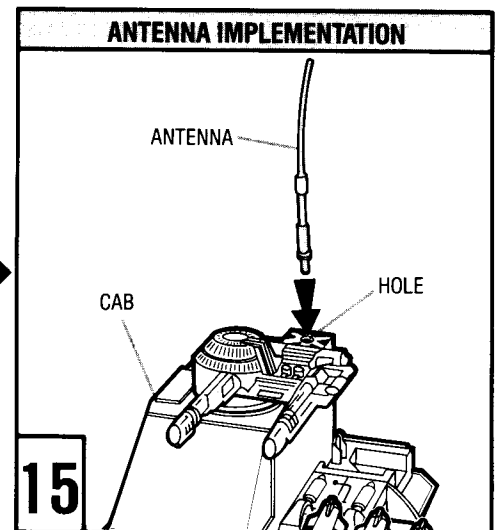
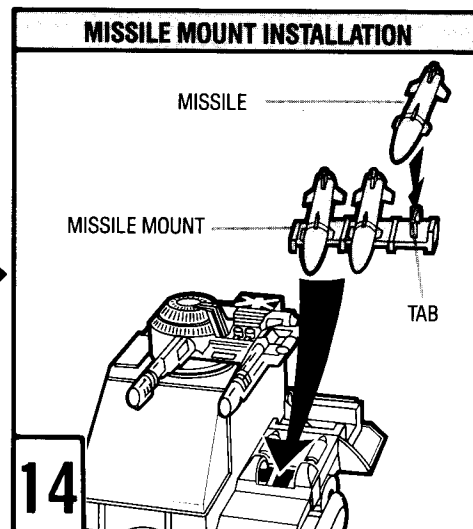
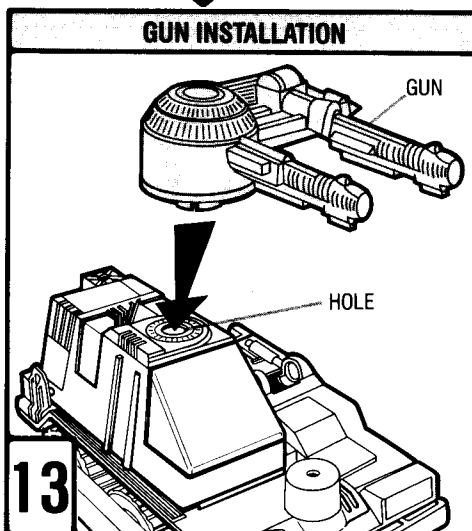
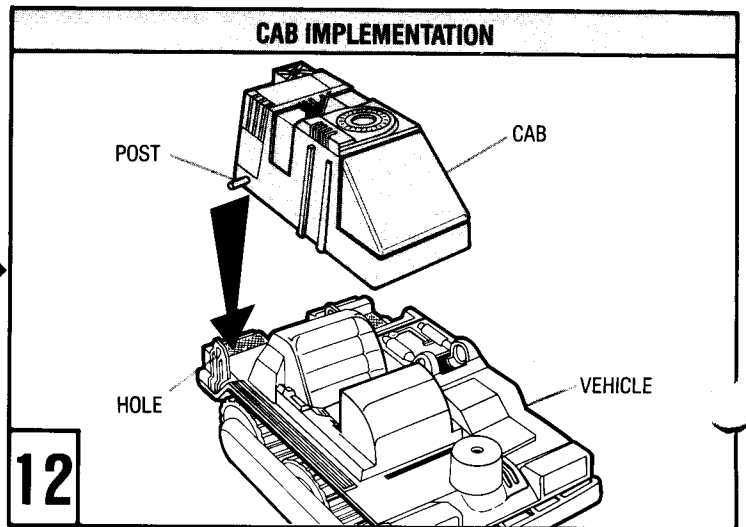
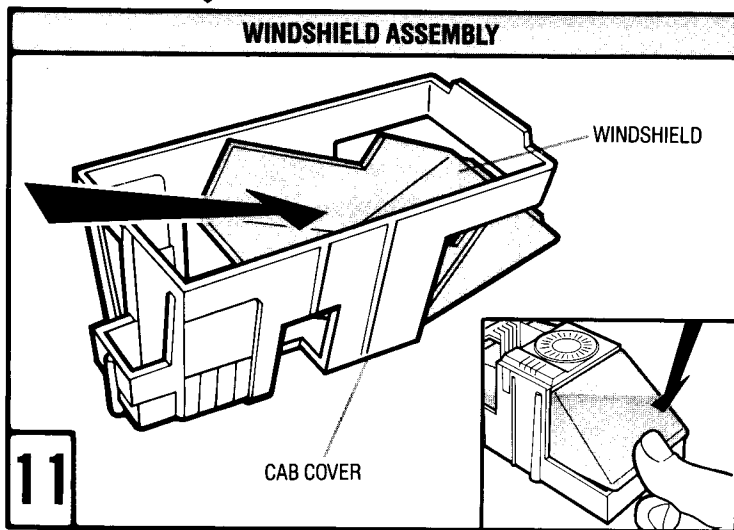
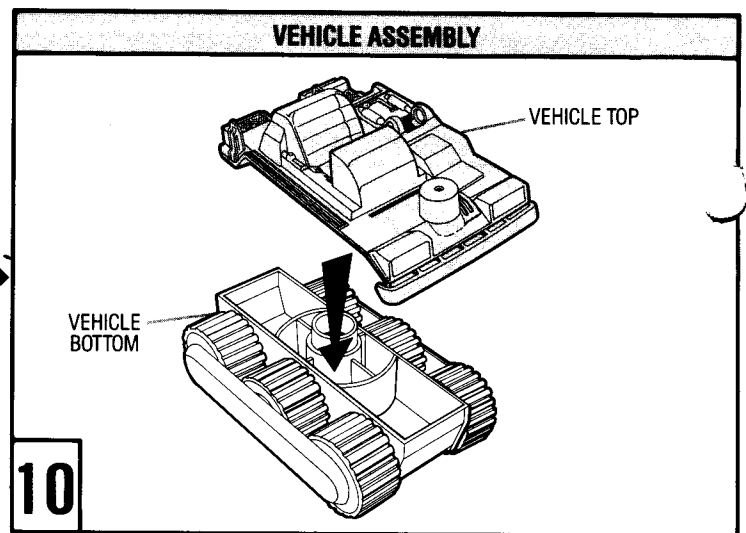
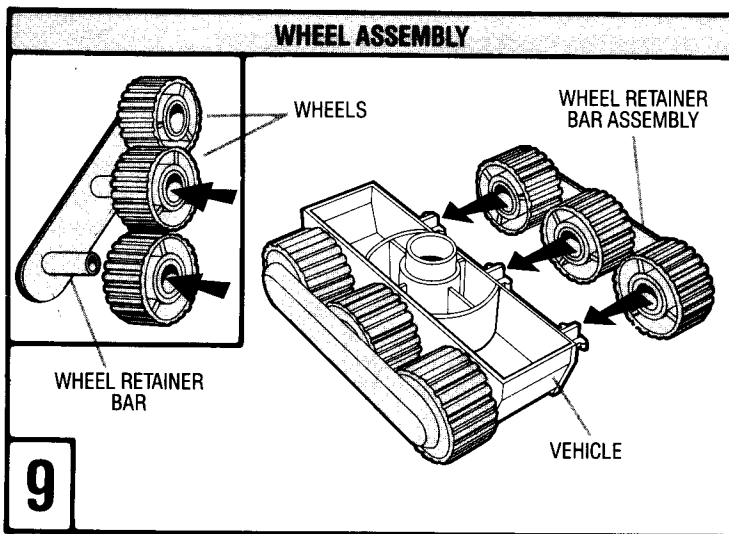
### TRACTOR VEHICLE

6231



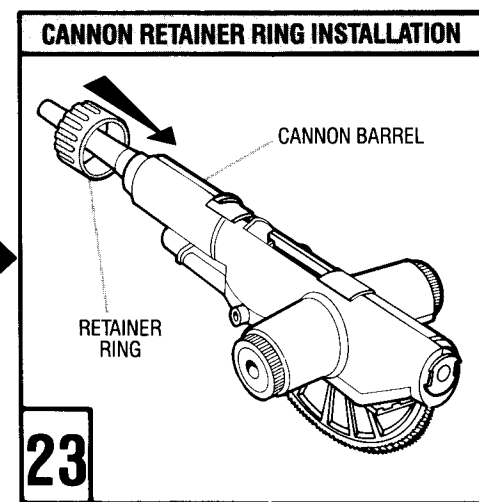
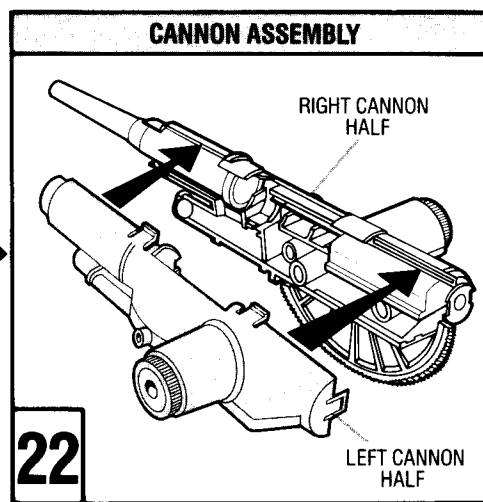
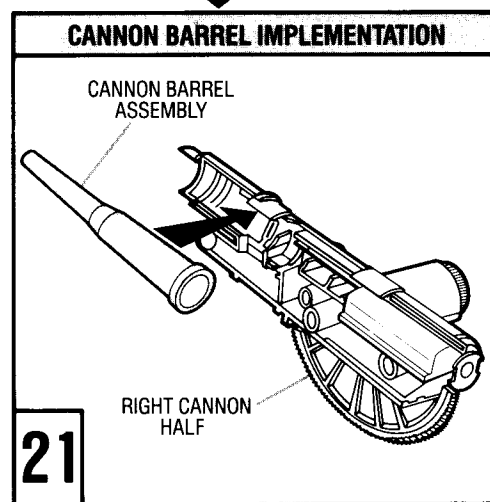
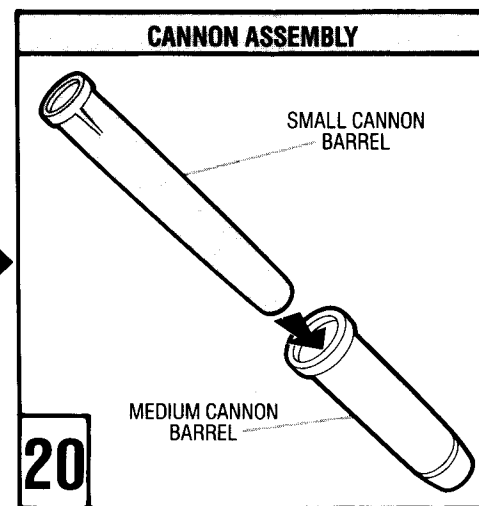
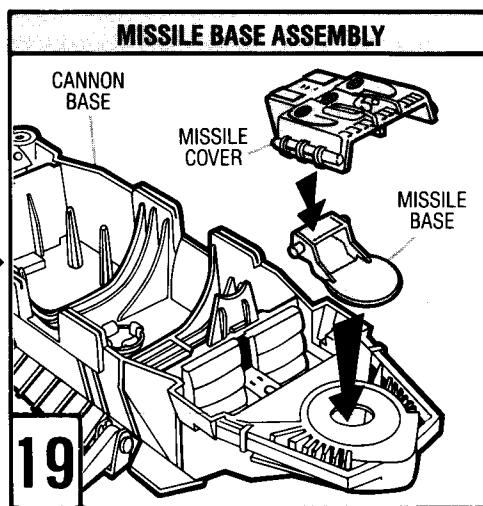
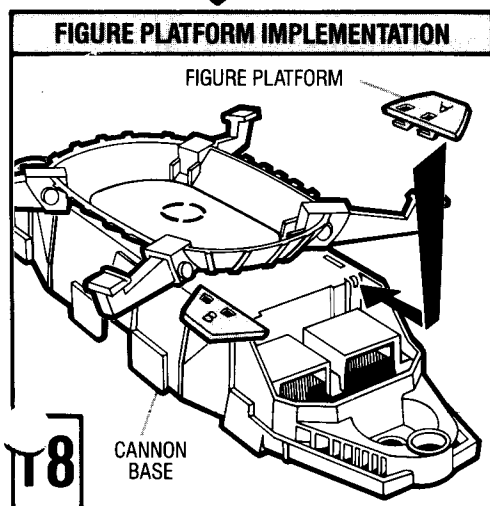
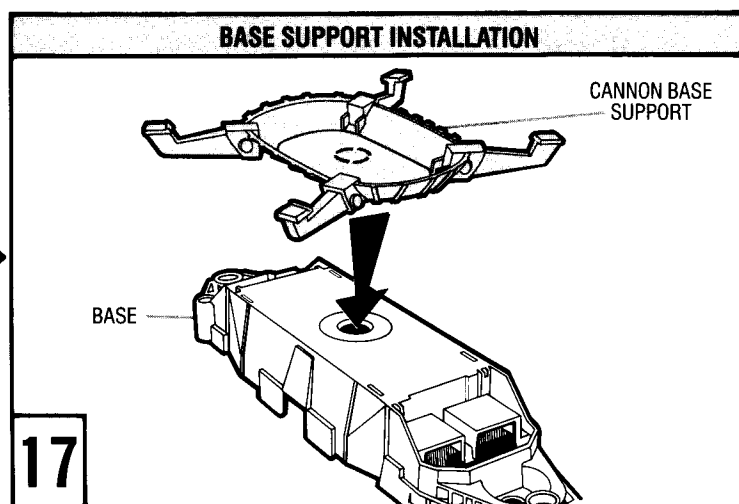
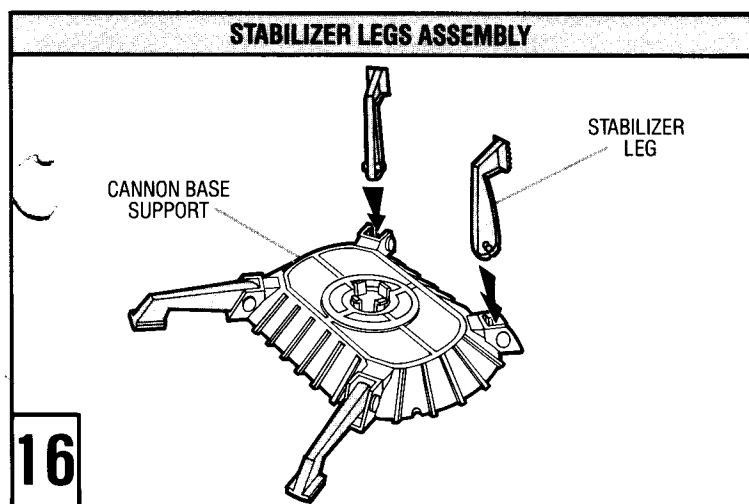
- 1** Turn vehicle bottom upside down. Snap dumbbell wheels into notches. (ILL. 1)
- 2** Turn vehicle onto side. Hook tab-lip on track tread into indentation on body bottom side, then snap tab on bottom of track tread into notch in lower body bottom as shown. (ILL. 2)
- 3** Snap vehicle top onto vehicle bottom. (ILL. 3)
- 4** Fit rear of vehicle interior into groove in vehicle as shown, then swing down front end and snap together. (ILL. 4)
- 5** Turn cab cover upside down. Slide windshield down into front cab cover opening. Turn cab cover right side up. Press down on front of windshield and snap into place. Turn cab cover upside down and make sure all tabs are snapped into place. (ILL. 5)
- 6** Fit engine cover over engine. (ILL. 6)
- 7** Turn cab cover right side up. Snap bar on cab cover front into notches on vehicle front end, then swing down cab cover rear and snap into place. (ILL. 7)
- 8** Snap cannon into hole in vehicle top. Fit missiles onto tabs on both sides of vehicle as shown. (ILL. 8)

# TRAILER VEHICLE



- 9** Place wheels onto wheel retainer bar. Snap wheel retainer bar over vehicle side as shown. Repeat for other vehicle side. (ILL. 9)
- 10** Snap vehicle top onto vehicle bottom. (ILL. 10)
- 11** Turn cab cover upside down. Slide windshield down into front cab cover opening. Turn cab cover right side up. Press down on front of windshield and snap into place. Turn cab cover upside down and make sure all tabs are snapped into place. (ILL. 11)
- 12** Turn cab cover right side up. Snap posts on cab cover into holes in vehicle, then swing down front end and snap together. (ILL. 12)
- 13** Snap gun into hole in top of vehicle. (ILL. 13)
- 14** Snap missile mount onto vehicle as shown. Fit missiles onto tabs. (ILL. 14)
- 15** Snap antenna into hole in cab rear. (ILL. 15)

# CANNON BASE



**16** Snap stabilizer legs (4) into cannon base support. (ILL. 16)

**17** Turn cannon base upside down. Snap base support into base as shown. (ILL. 17)

**18** Match the (4) figure platforms, labeled "A" and "B", with the labeled areas "A" and "B" on the cannon base bottom as shown. Fit tabs on platforms into slots in base. Slide platforms into place. (ILL. 18)

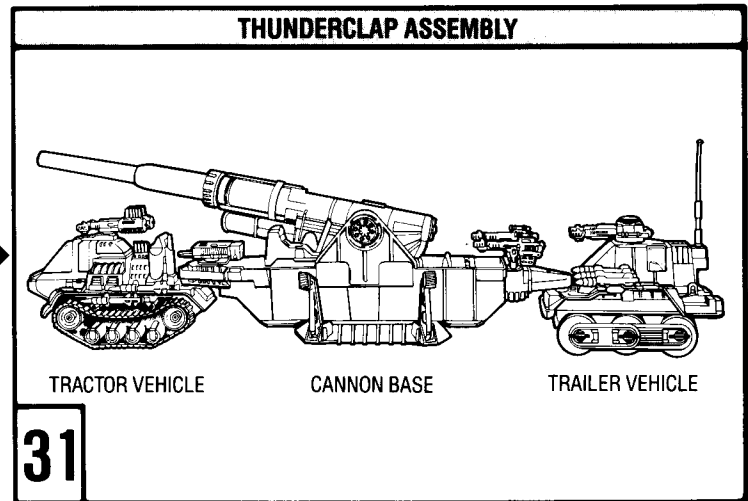
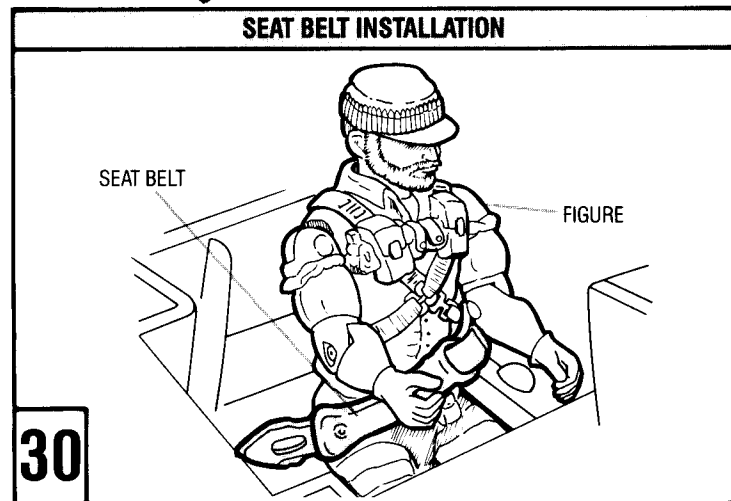
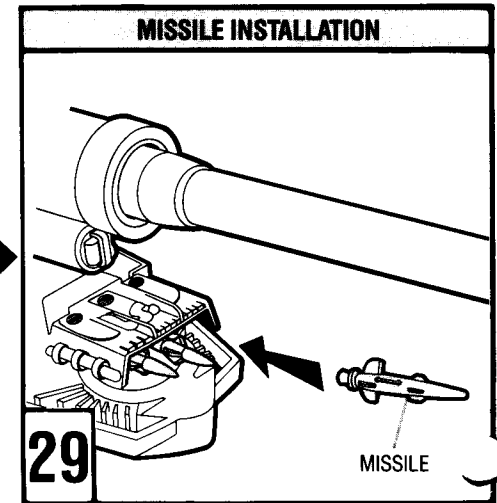
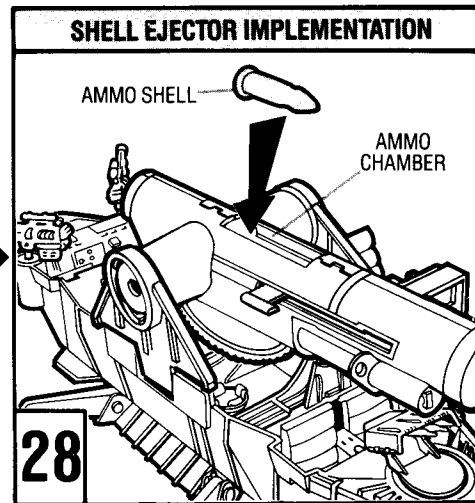
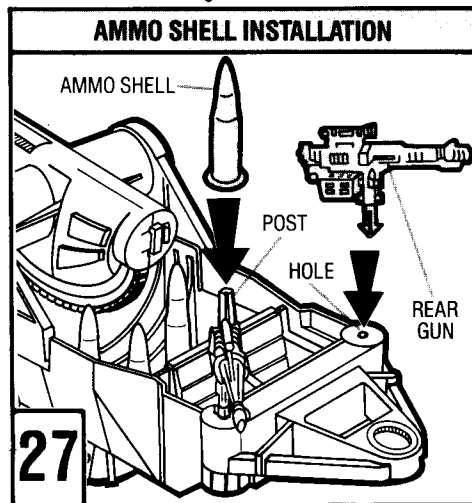
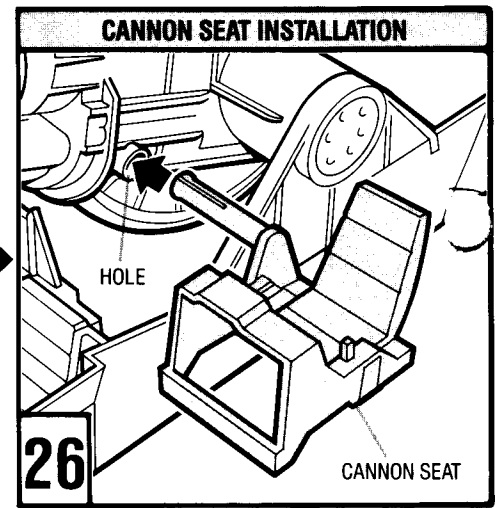
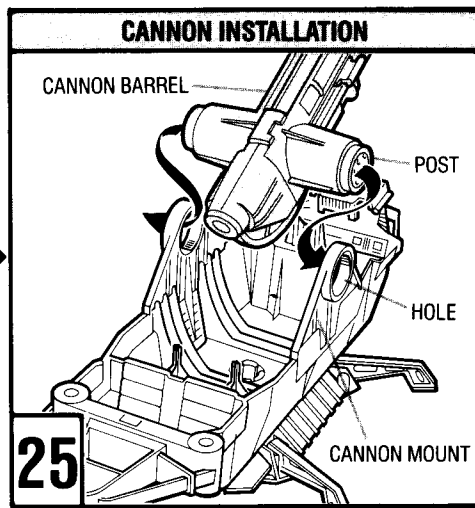
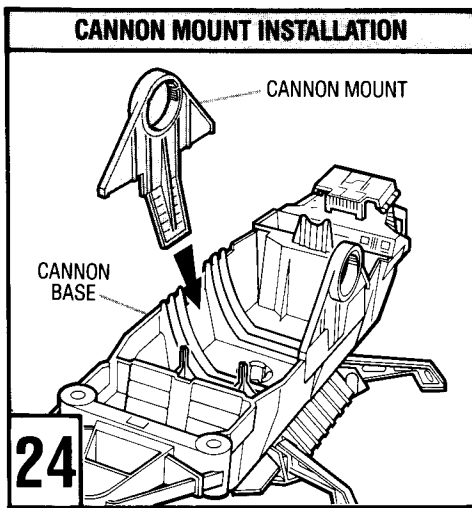
**19** Turn cannon base right side up. Snap missile base into cannon base front. Snap missile cover onto missile base. (ILL. 19)

**20** Slide small cannon barrel through medium barrel as shown. (ILL. 20)

**21** Place small & medium cannon barrel into right cannon barrel half. (ILL. 21)

**22** Snap large cannon halves together. (ILL. 22)

**23** Fit retainer ring over cannon barrel and snap into place. (ILL. 23)



24 Snap cannon mounts into cannon base. (ILL. 24)

25 Snap side post on cannon barrel into hole in cannon mount, then swing down other post and snap into cannon mount as shown. (ILL. 25)

26 Snap post on cannon seat into hole in middle of cannon. (ILL. 26)

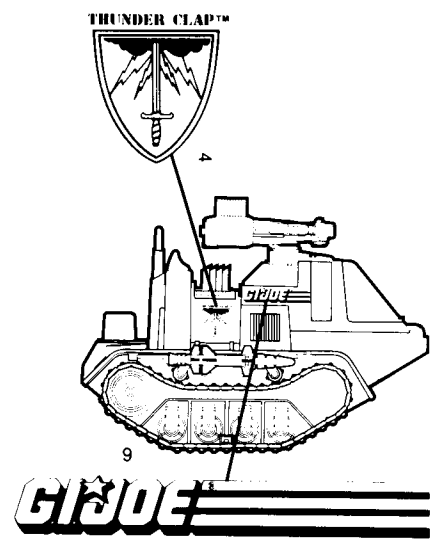
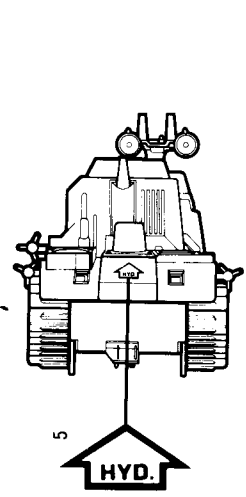
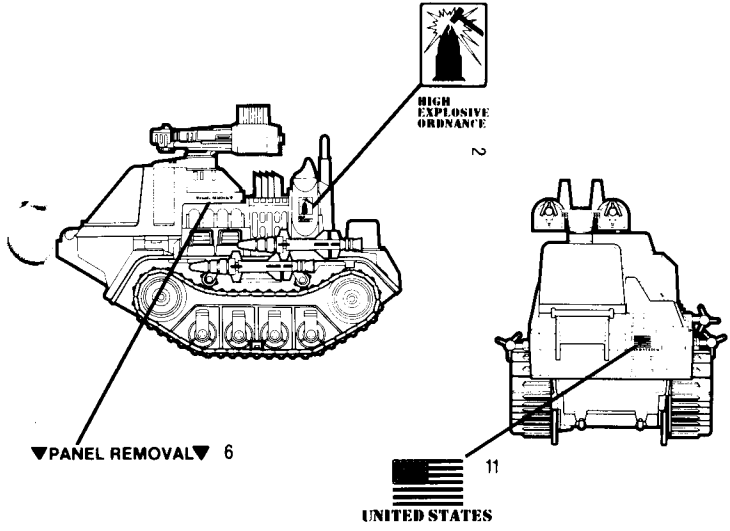
27 Fit ammo shells over posts in cannon base. Snap two rear guns into holes in base. (ILL. 27)

28 To activate shell ejector, load shell into ammo chamber. Slide ejector bolt forward to close chamber. To eject, slide the bolt backwards. (NOTE: Cannon barrel is positionable for short, medium and long range firing.) (ILL. 28)

29 Insert missiles into missile rack as shown. (ILL. 29)

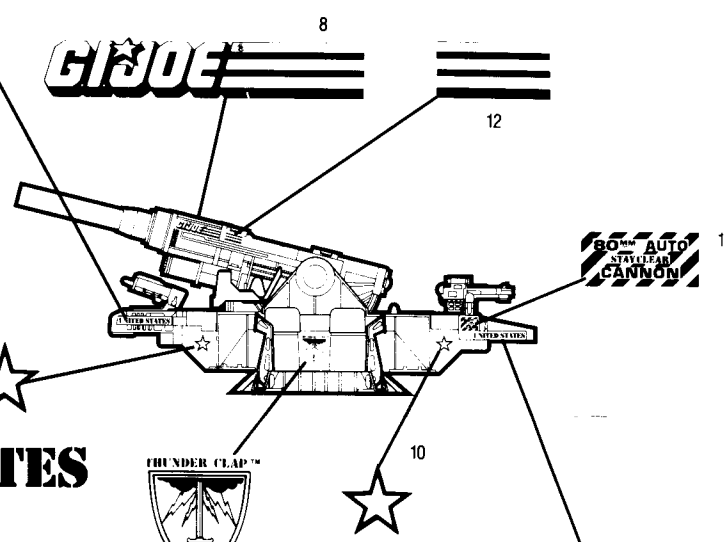
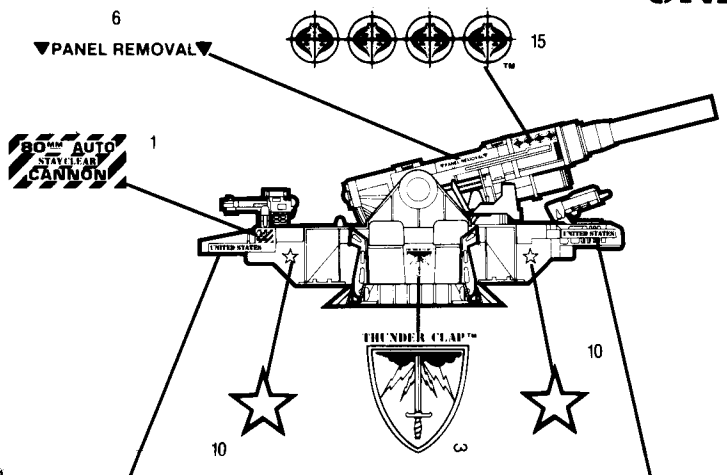
30 Place figure in seat. Insert one end of seat belt into hole in seat side, then swing other end of seat belt over figure and insert into other hole as shown. (NOTE: Repeat process for remaining six seat belts in other figure seating areas.) (ILL. 30)

31 Fit holes in cannon base front and rear over posts on tractor and trailer vehicles as shown. (NOTE: Each vehicle can be detached to become an individual battle craft.) (ILL. 31)



UNITED STATES

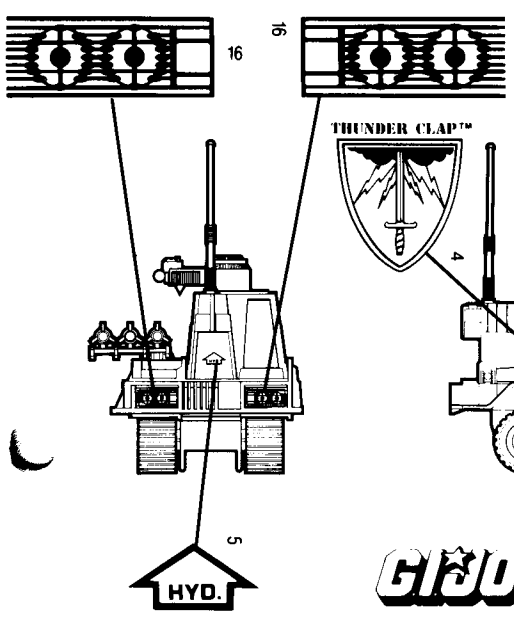
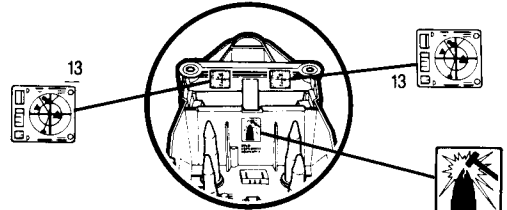
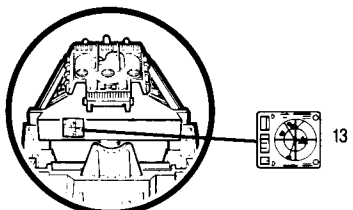
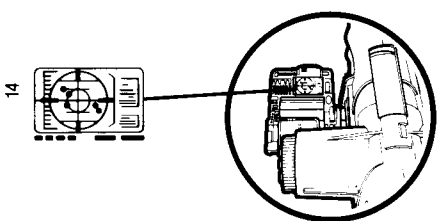
18 UNITED STATES



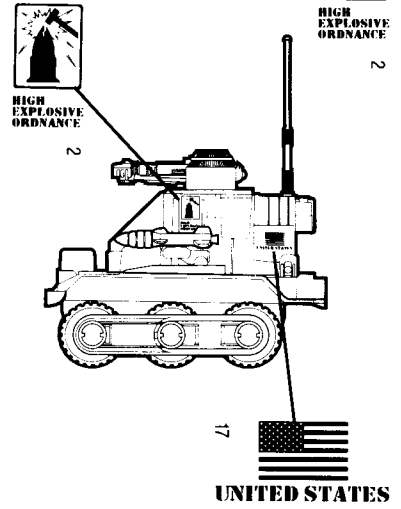
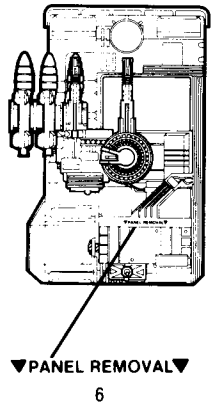
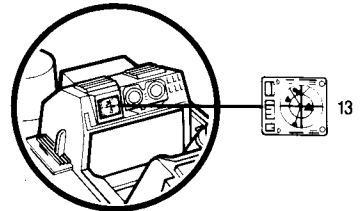
18 UNITED STATES

18 UNITED STATES

18 UNITED STATES



GI JOE



UNITED STATES

## THUNDERCLAP™

- 1) INFRARED TARGET ACQUISITION RANGE PROJECTOR
- 2) SINGLE BARREL, RAPID FIRE, COMPUTER CONTROLLED BLASTER CANNON
- 3) THREE SURFACE-TO-SURFACE, DELAYED DETONATION ZPJ-79 CRUISE MISSILES
- 4) SYNCHRONIZED DIGITAL TRACKING, REVOLVING TURRET
- 5) ARMAMENT DISCHARGE VENTILATION EXHAUST SYSTEM
- 6) ATMOSPHERIC INDICATOR FOR MEASUREMENT OF LETHAL CHEMICAL ELEMENTS
- 7) DUAL-BARRELLED, PULSATING, MG-999 ASSAULT WEAPON
- 8) TWO, MULTI-DIRECTIONAL, SURFACE-TO-SURFACE, LOW ATTACK MISSILES
- 9) MISSILE STORAGE ENCLOSURE STATIONS
- 10) LOW-NOISE, ULTRA-SENSITIVE, ENEMY RADAR JAMMING MODULATOR
- 11) MULTI-EXTENDABLE, HIGH-POWERED, BATTLEFIELD "ANNIHILATOR" CANNON
- 12) THERMAL-PROTECTED, MISSILE LAUNCHER WITH THREE SURFACE-TO-SURFACE MISSILES
- 13) GEOMETRICALLY PROPORTIONED, LAUNCH PLATFORM STABILIZER BASE
- 14) FOUR-POINT TITANIUM REINFORCED STABILIZER LEGS
- 15) TWO, 70mm ROTARY MINI-CANNONS WITH LASER BEAM TARGET LOCATION

