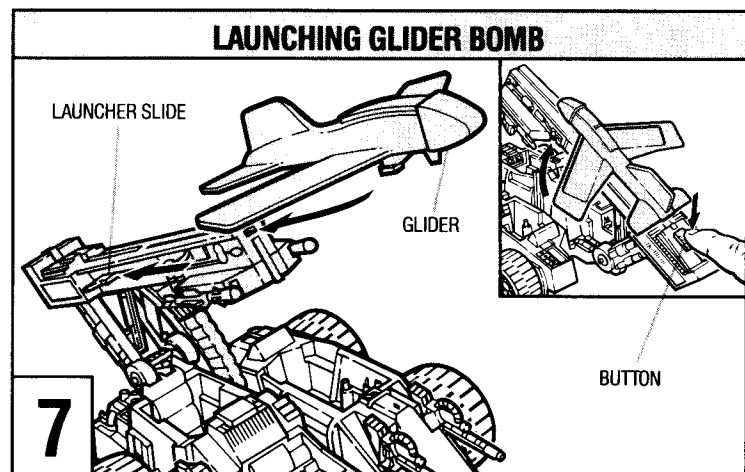
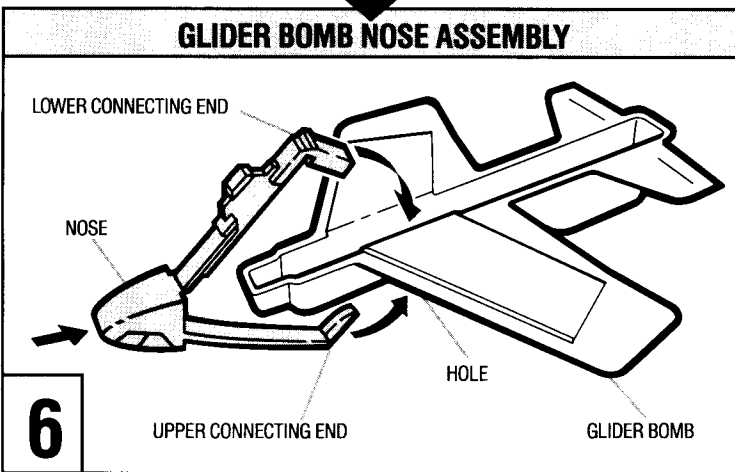
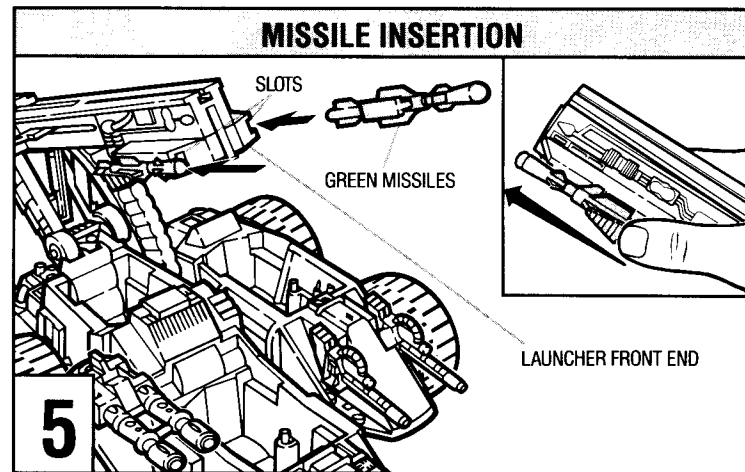
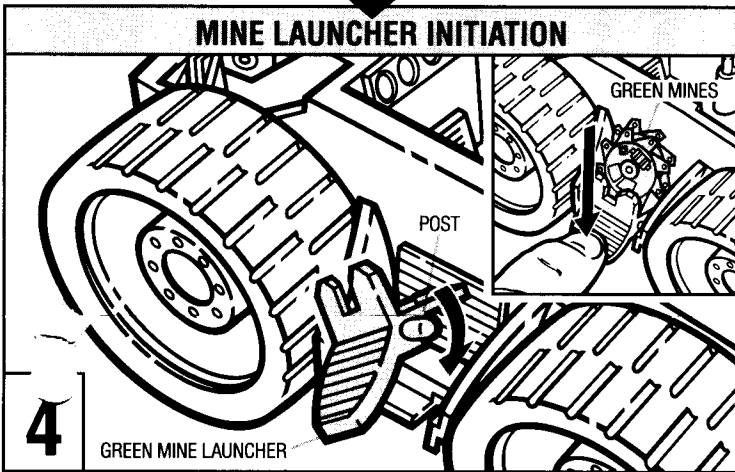
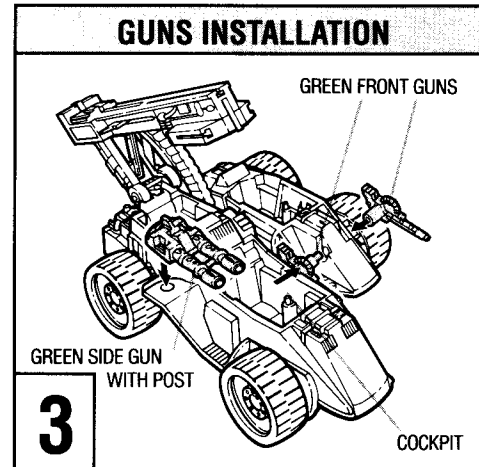
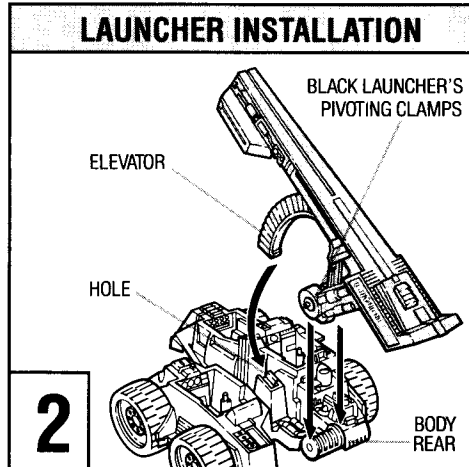
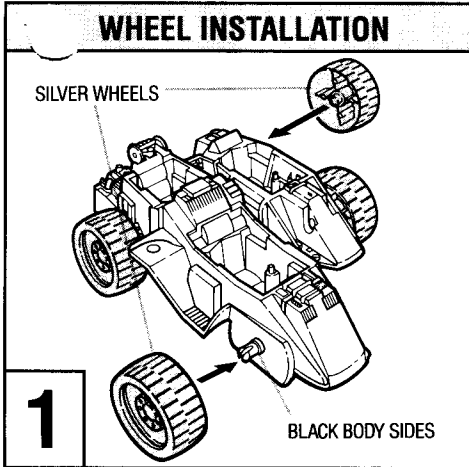


60226

Contains: Body, launcher, glider bomb, 4 wheels, 2 mines, mine launcher, 3 machine guns and label sheet.



- 1 Snap silver wheels onto posts on black body sides as shown. (ILL. 1)
- 2 Gently spread the black launcher's pivoting clamps, then fit onto body rear as shown. Swing down launcher elevator into hole in body as shown. (ILL. 2)
- 3 Snap green side gun into hole next to cockpit. Snap green front gun with post into hole in body front, then fit other green front gun into corresponding hole and snap the 2 guns together. (ILL. 3)
- 4 Fit post on green mine launcher into hole in body side, then pivot down other post and snap into hole as shown. Place green mines onto launcher. To fire, press down on end of launcher. (ILL. 4)
- 5 Store green missiles into slots in launcher sides. NOTE: Use your thumb to remove missiles. (ILL. 5)
- 6 Fit nose over glider bomb's front end, then fit upper connecting end of nose through hole in bomb top and snap together. NOTE: To adjust glider's flight, bend tail flaps upward. (ILL. 6)
- 7 Pull back launcher slide until it locks into place. Slide glider bomb or missile onto launcher. Before firing, raise launcher elevator. To fire, press button on launcher rear. (ILL. 7)

