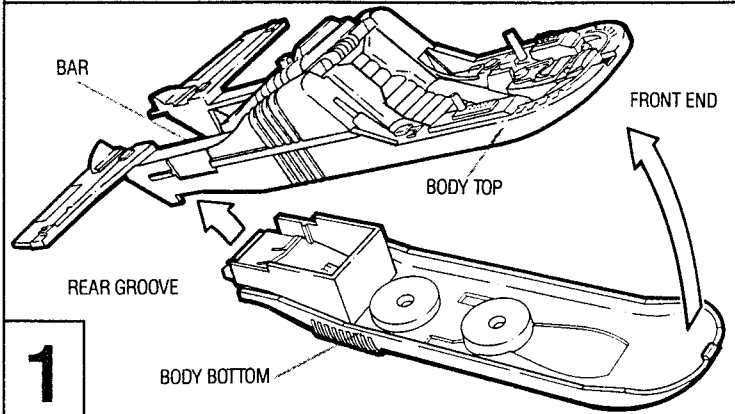


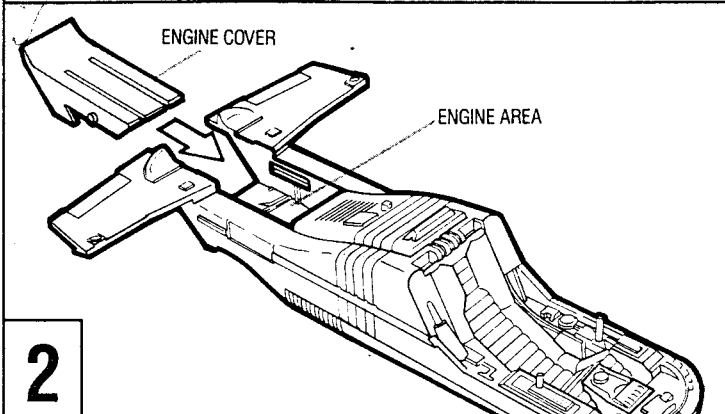
Contains: Two bumper tips, main body, 8 missiles, 2 large spring action missiles, main body canopy, attack craft canopy, 2 dual hoses, antenna, 6 ice mines, spring action mine dispenser, retainer, left & right missile ramps, engine cover, attack craft upper & lower body halves, upper & lower side gun halves, spring action missile gun mechanism, gun pivot, gun barrel tip, left & right track tread, steering bar, dashboard, 4 wheels, 4 axle pins, "COLD FRONT"™ figure, G.I. Joe folder, label sheet and blueprints.

### ATTACK CRAFT ASSEMBLY



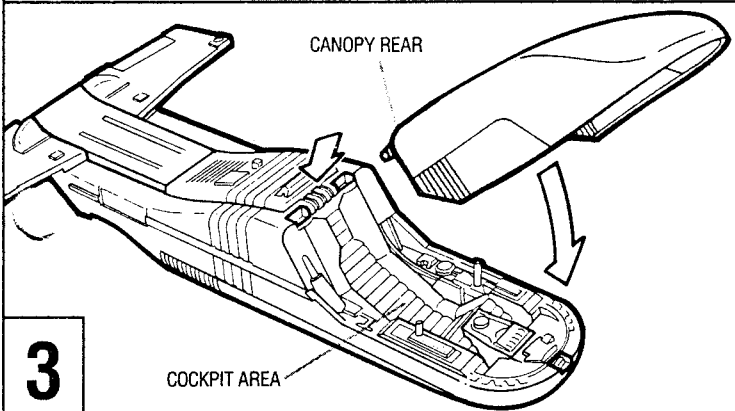
1

### ENGINE COVER INSTALLATION



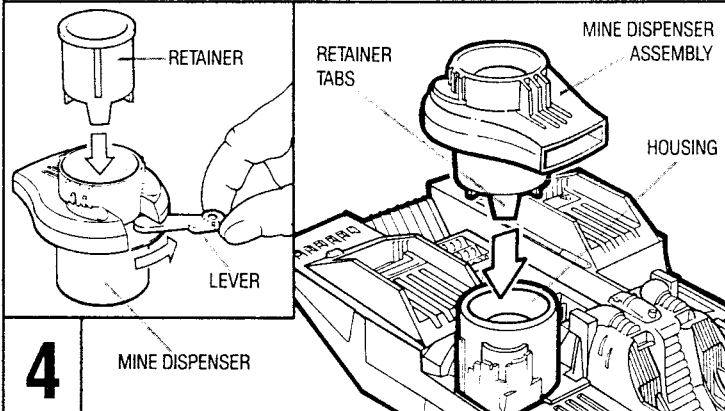
2

### ATTACK CRAFT CANOPY INSTALLATION



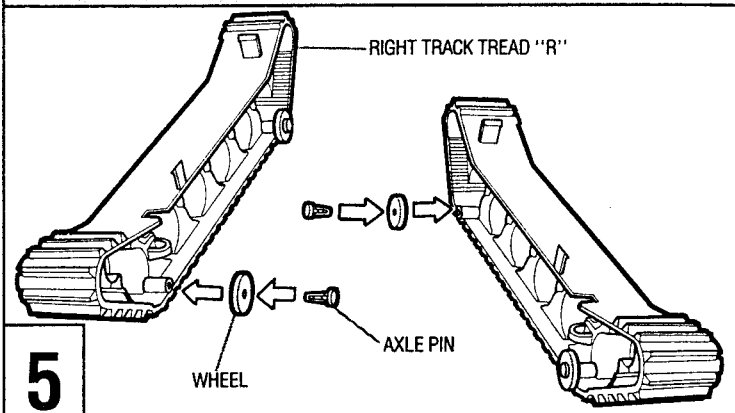
3

### MINE DISPENSER ASSEMBLY



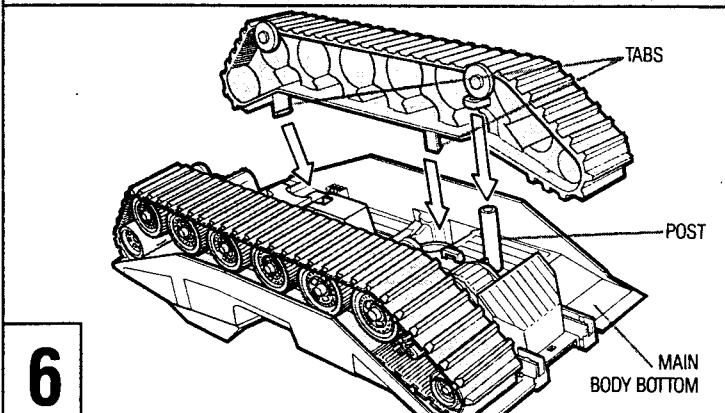
4

### WHEEL ASSEMBLY



5

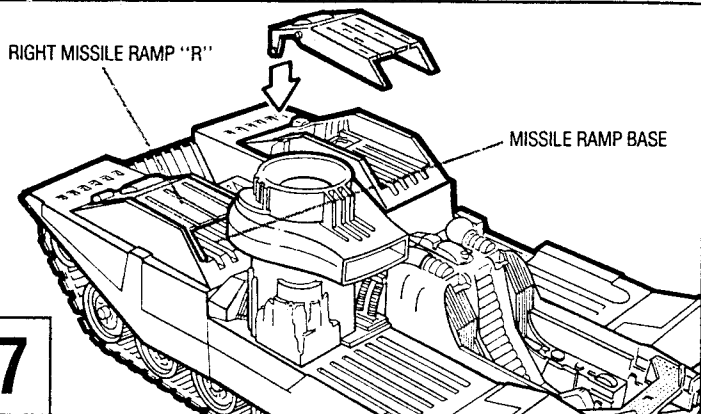
### TRACK TREAD INSTALLATION



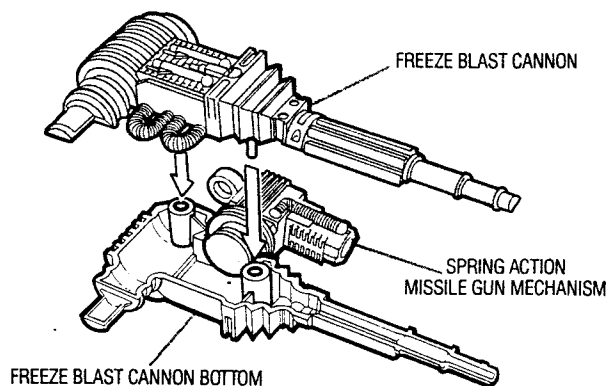
6

- Place rear groove in attack craft body bottom over bar on body top, then snap front ends together. (ILL. 1)
- Slide engine cover over engine area and slide forward. (ILL. 2)
- Snap posts on canopy rear into holes behind cockpit area, then swing down other tab and snap into place. (ILL. 3)
- While holding lever backward, fit and snap retainer through mine dispenser (INSET). (NOTE: Be sure retainer tabs are at the bottom of mine dispenser.) Snap mine dispenser assembly into mine dispenser housing in main body as shown. (ILL. 4)
- Fit 2 axle pins through 2 wheels, then fit into holes in right track tread, labeled "R". Repeat process for left track tread labeled "L". (ILL. 5)
- Turn main body upside down. Slide post on body through slot in right track tread and snap tabs into holes as shown. Repeat process for left track tread. (ILL. 6)

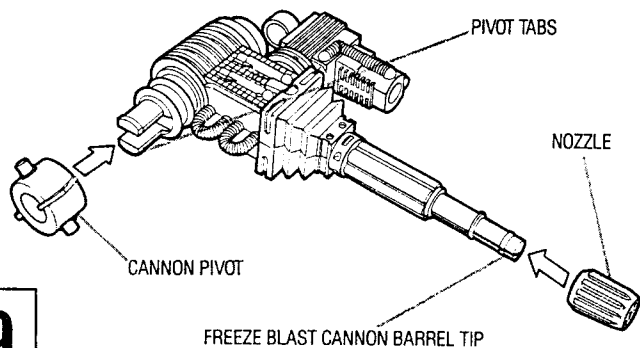
### MISSILE RAMPS INSTALLATION



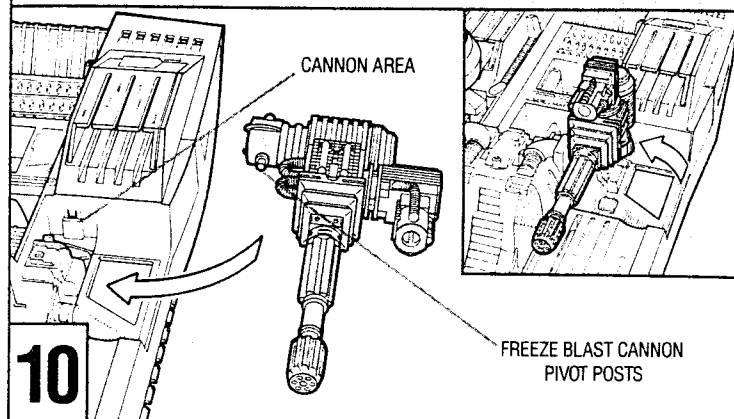
### SPRING ACTION MISSILE GUN ASSEMBLY



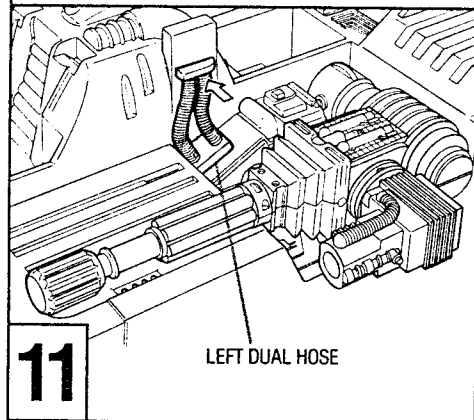
### FREEZE BLAST CANNON BARREL TIP/CANNON PIVOT ASSEMBLY



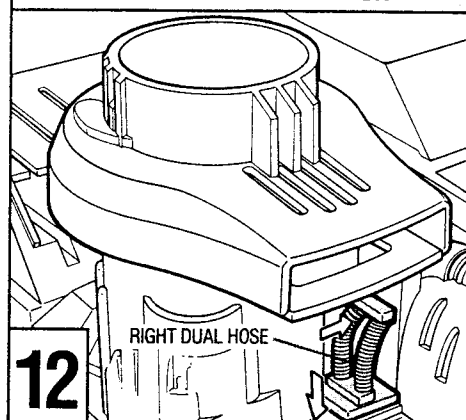
### FREEZE BLAST CANNON INSTALLATION



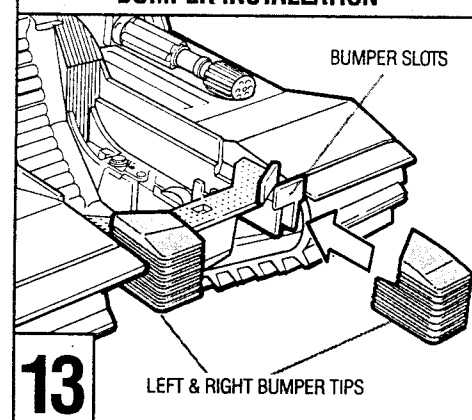
### LEFT HOSE INSTALLATION



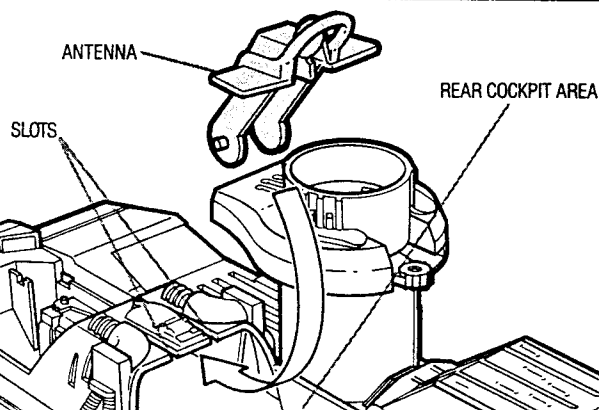
### RIGHT HOSE INSTALLATION



### BUMPER INSTALLATION

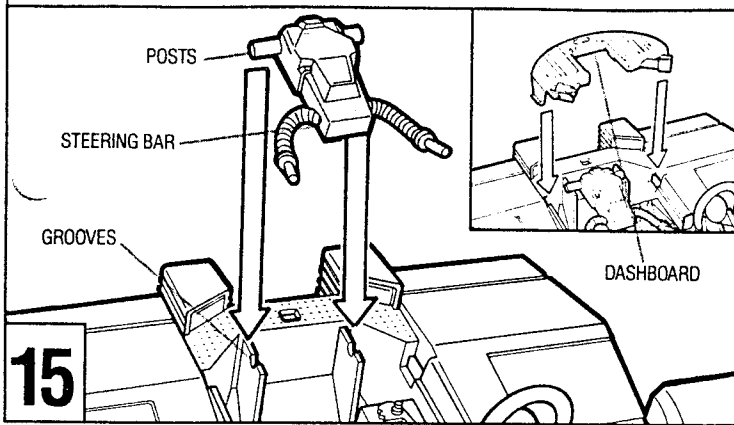


### ANTENNA INSTALLATION



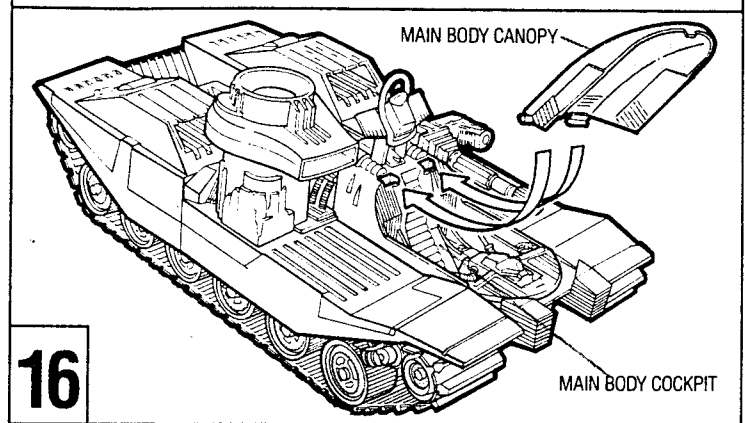
- 7** Turn body right side up. Slide and snap right missile ramp, labeled "R", into missile ramp base as shown. Repeat for left missile ramp, labeled "L". (ILL. 7)
- 8** Place spring action missile gun mechanism onto Freeze Blast cannon bottom half. Snap Freeze Blast cannon top half onto bottom half, trapping the mechanism. (ILL. 8)
- 9** Snap Freeze Blast cannon barrel tip over cannon nozzle. Snap cannon pivot over pivot tabs as shown. (ILL. 9)
- 10** Snap Freeze Blast cannon pivot posts into holes in side gun area, then swing down cannon as shown. Freeze Blast cannon can also be positioned upwards as shown. (INSET) (ILL. 10)
- 11** Snap left dual hose into slot in left body side as shown. (ILL. 11)
- 12** Snap right dual hose into slot in right body side as shown. (ILL. 12)
- 13** Snap left and right bumper tips into front end bumper slots as shown. (ILL. 13)
- 14** Slide antenna through slots in rear cockpit area and snap into place as shown. (ILL. 14)

### STEERING BAR/DASHBOARD ASSEMBLY



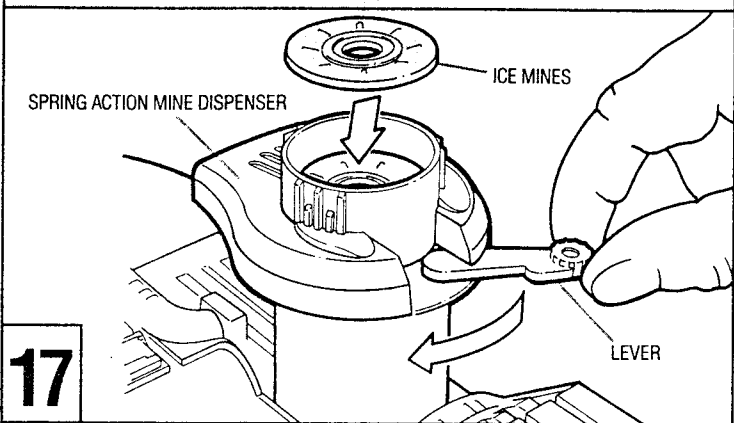
15

### MAIN BODY CANOPY INSTALLATION



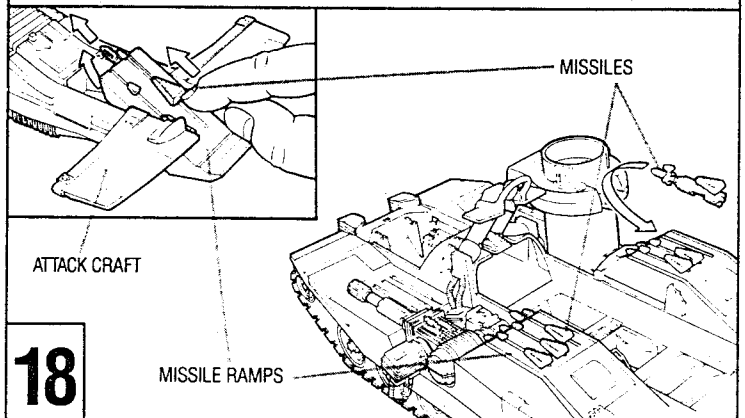
16

### ICE MINE APPLICATION



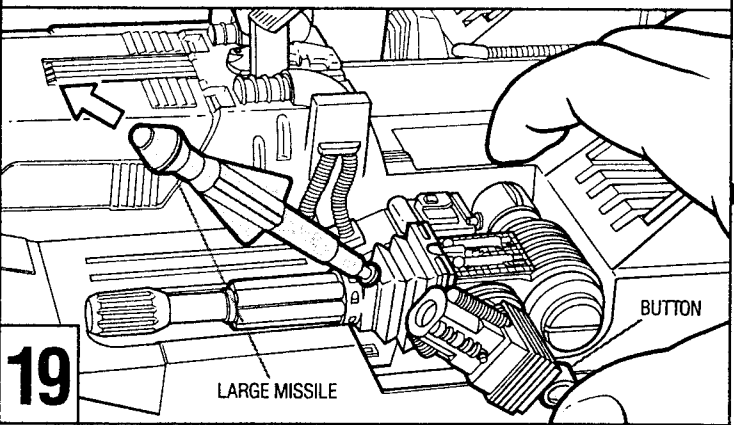
17

### FINGER FLICK TECHNOLOGY MISSILE OPERATION



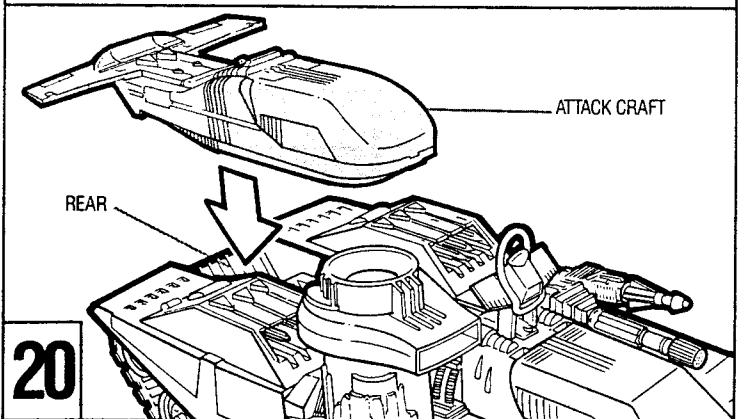
18

### SPRING ACTION MISSILE GUN OPERATION



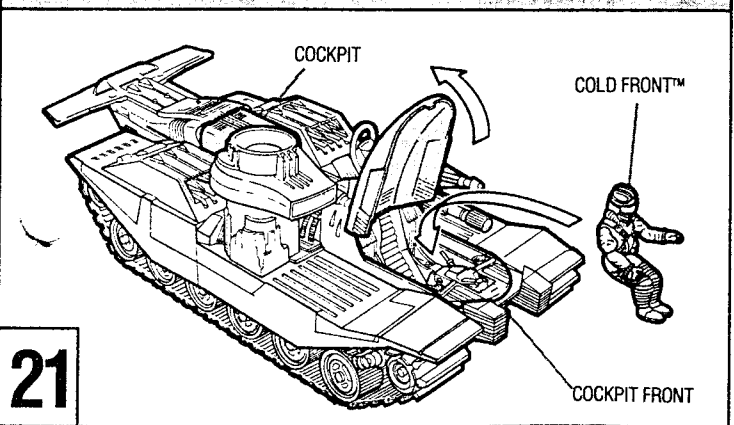
19

### ATTACK CRAFT INSTALLATION



20

### FIGURE INSTALLATION

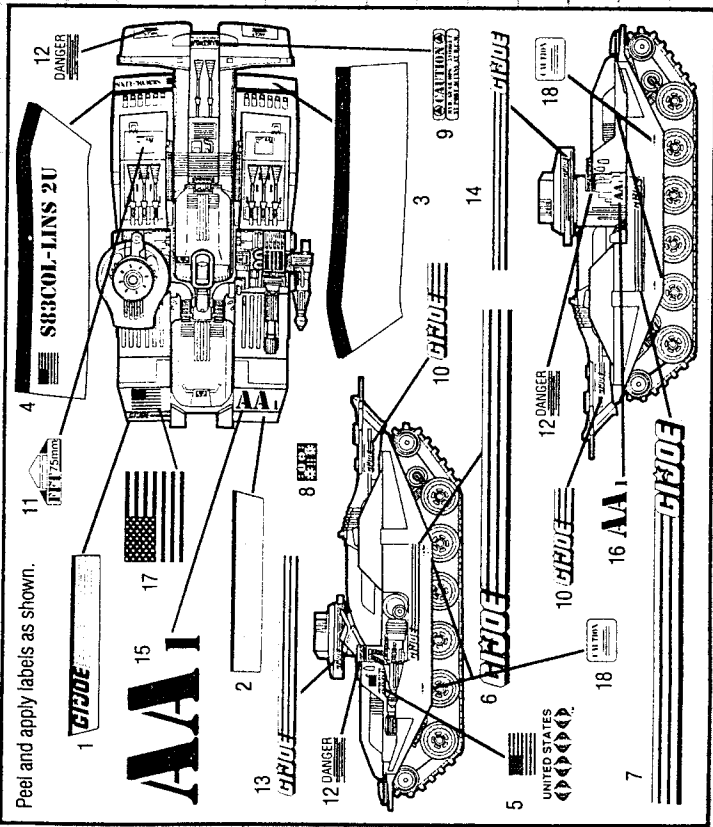
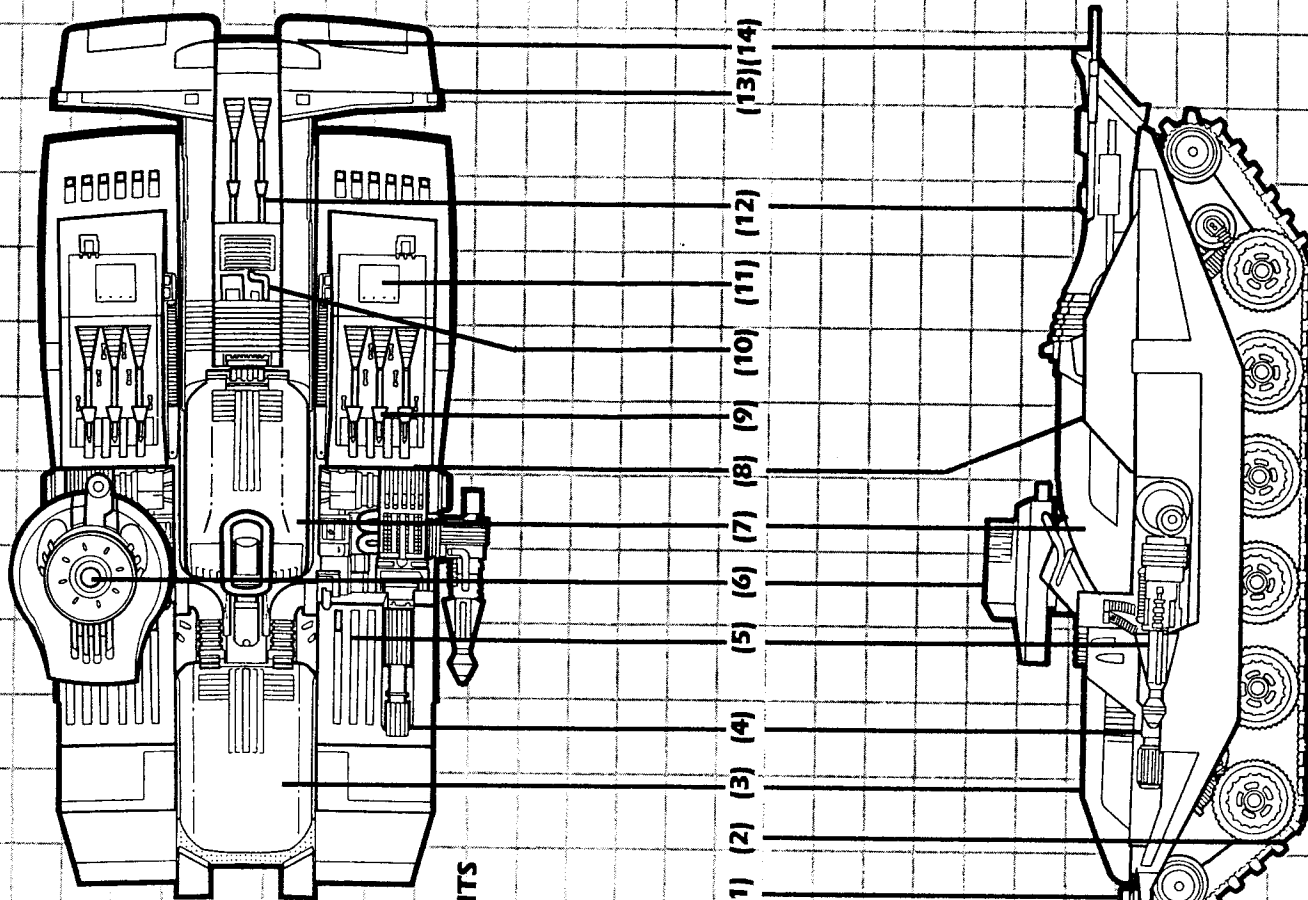


21

- 15 Place posts on steering bar into grooves in cockpit front. Fit tab on dashboard into hole in cockpit front, then swing down and snap side tabs into holes as shown. (INSET) (ILL. 15)
- 16 Snap main body canopy posts into holes in rear of cockpit. (ILL. 16)
- 17 Load 6 ice mines into spring action mine dispenser as shown. To fire, pull back lever and release. (ILL. 17)
- 18 To load 8 FFT missiles, lift missile ramps and slide missiles into slots as shown. To fire, place finger behind one missile, then flick. Continue process for other missiles. (INSET) (ILL. 18)
- 19 Fit a large missile into front end of launcher until it clicks into place. To fire, push button on rear of launcher. Repeat process for other missile. (ILL. 19)
- 20 Fit attack craft into rear of main body as shown. (ILL. 20)
- 21 Flip up either main body canopy or attack craft canopy. Place COLD FRONT™ figure into either main body cockpit or attack craft cockpit. (ILL. 21)

# GI JOE® AVALANCHE™

- 1) FRONT END TELECOMMUNICATIONS VHF/UHF ANTENNAE
- 2) ANTI-PIERCING ARMOR TRACK TREADS
- 3) FORWARD PILOT'S COCKPIT WITH SHOCK-PROOF CANOPY
- 4) FULL-SWING, AMMO-REGENERATING FREEZE BLAST CANNON
- 5) SIDE-SWIPE, MISSILE FIRING, PULSE CANNON
- 6) DIGITALLY ACCURATE ICE MINE DEPLOYER
- 7) REAR COCKPIT, COPTER/TANK SEPARATION SYSTEM CONTROL
- 8) SYNCHRONIZED, COMPUTER ENHANCED, PINPOINT TRAJECTORY, MISSILE LAUNCH BASE
- 9) HEAT-SEEKING, HIGH-IMPACT SURFACE-TO-AIR MISSILES
- 10) ANTI-EMISSIONS, COPTER ENGINE COOLANT CONVERTER
- 11) ENGINE SYSTEMS ACCESS PANEL FOR ON-SITE SPEED ADJUSTMENTS
- 12) BACKBLAST, DEFENSE, DUAL PULSATING 55mm CANNONS
- 13) IN-FLIGHT, LASER LIGHT VERIFICATION SYSTEM
- 14) MACH-SPEED, SMOOTH BRAKING ACTIVATION PANELS



Peel and apply labels as shown.