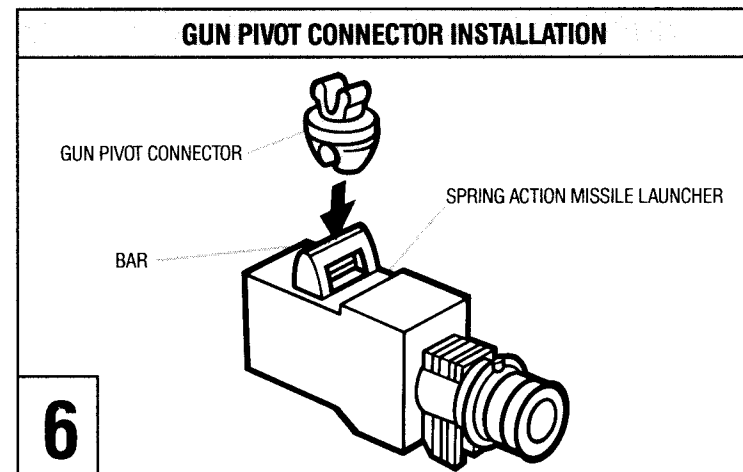
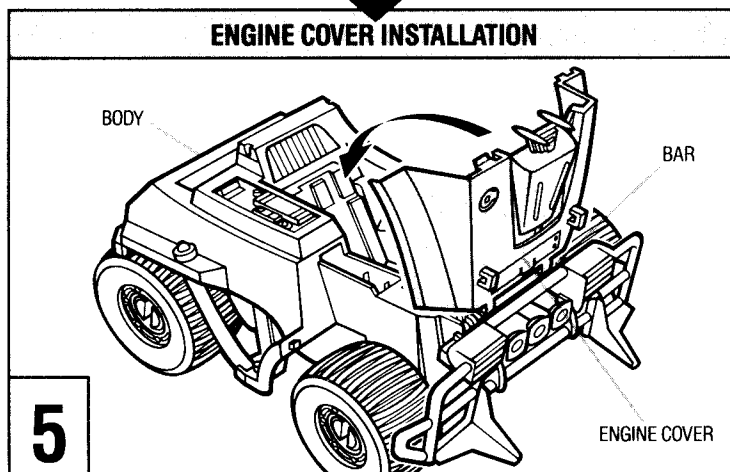
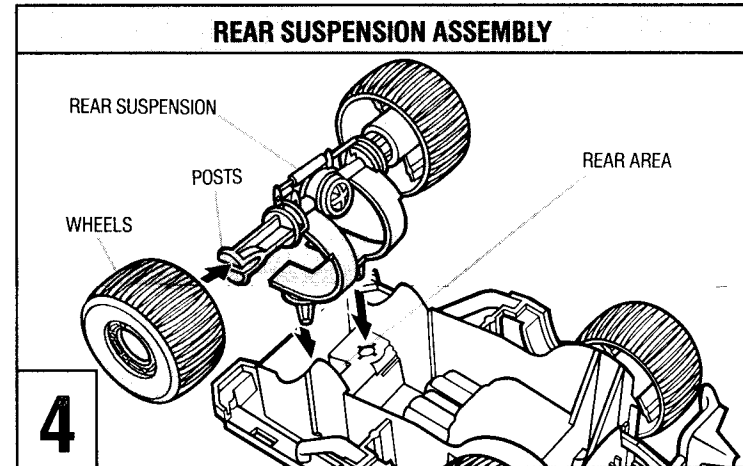
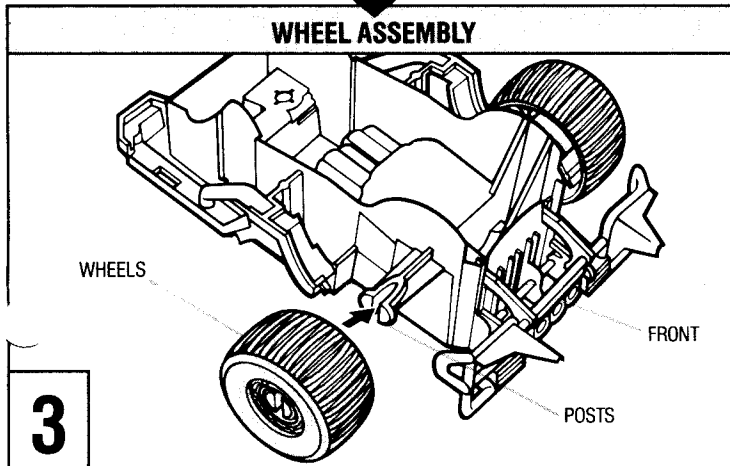
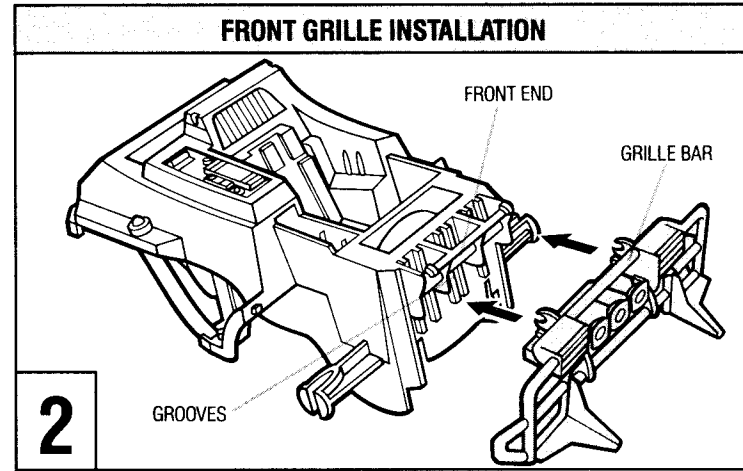
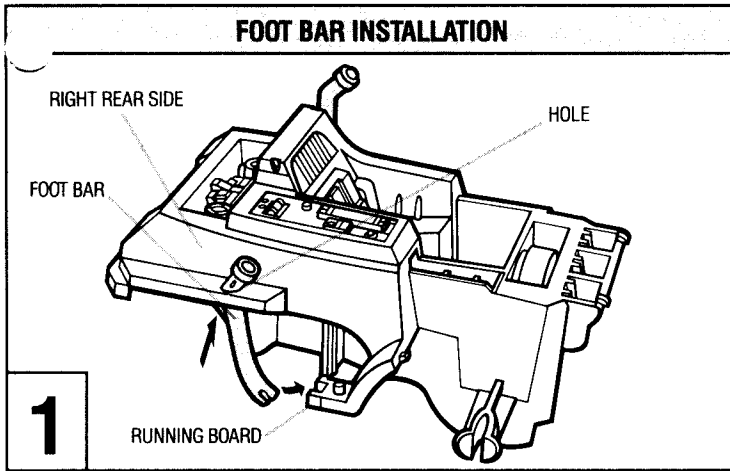
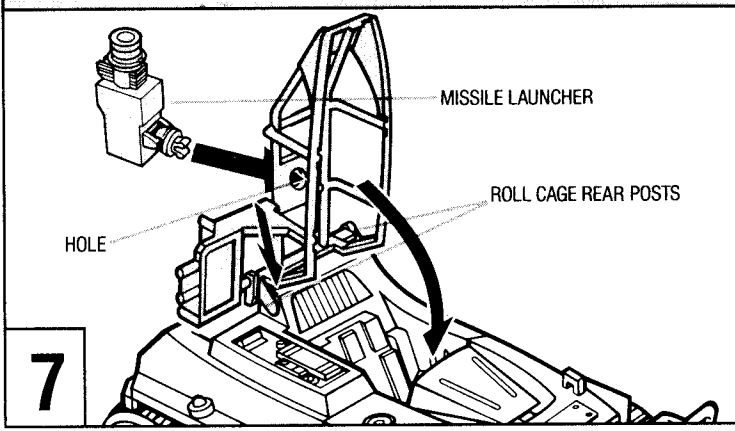


Contains: Body, front grille, rear axle, roll cage, 3 missiles, spring action missile launcher, antenna, engine cover, gun pivot connector, 2 foot bars, 4 tires, blueprints and instructions.

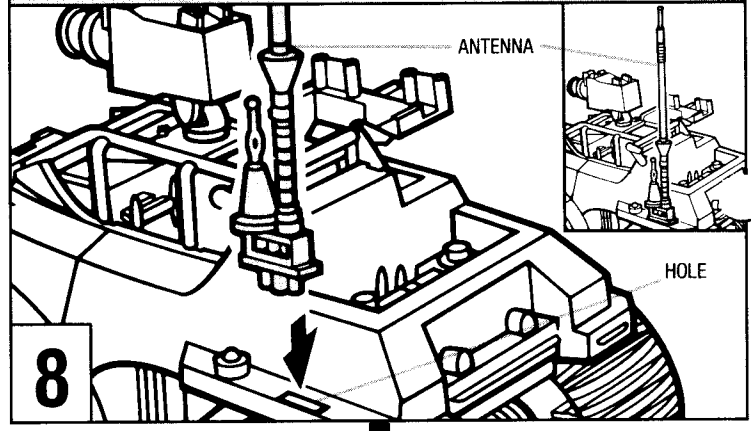


- 1** Fit foot bar through hole in right rear side and snap to running board as shown. Repeat for other foot bar. (ILL. 1)
- 2** Slide front grille bar up into grooves in front end and snap into place. (ILL. 2)
- 3** Turn body upside down. Snap 2 wheels onto post on body front. Snap other 2 wheels onto posts on rear suspension. (ILL. 3)
- 4** Fit posts on rear suspension into rear area of body and snap into holes as shown. (ILL. 4)
- 5** Turn body right side up. Snap engine cover onto bar and swing down and snap onto body. (ILL. 5)
- 6** Snap gun pivot connector onto bar on bottom of spring action missile launcher. (ILL. 6)

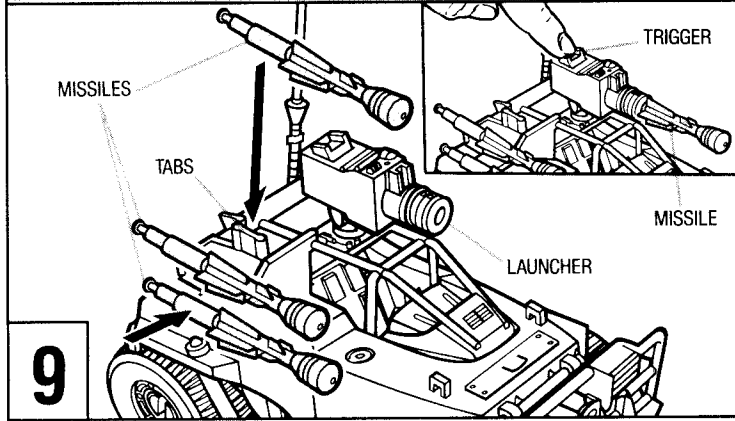
MISSILE LAUNCHER/ROLL CAGE INSTALLATION



ANTENNA INSERTION



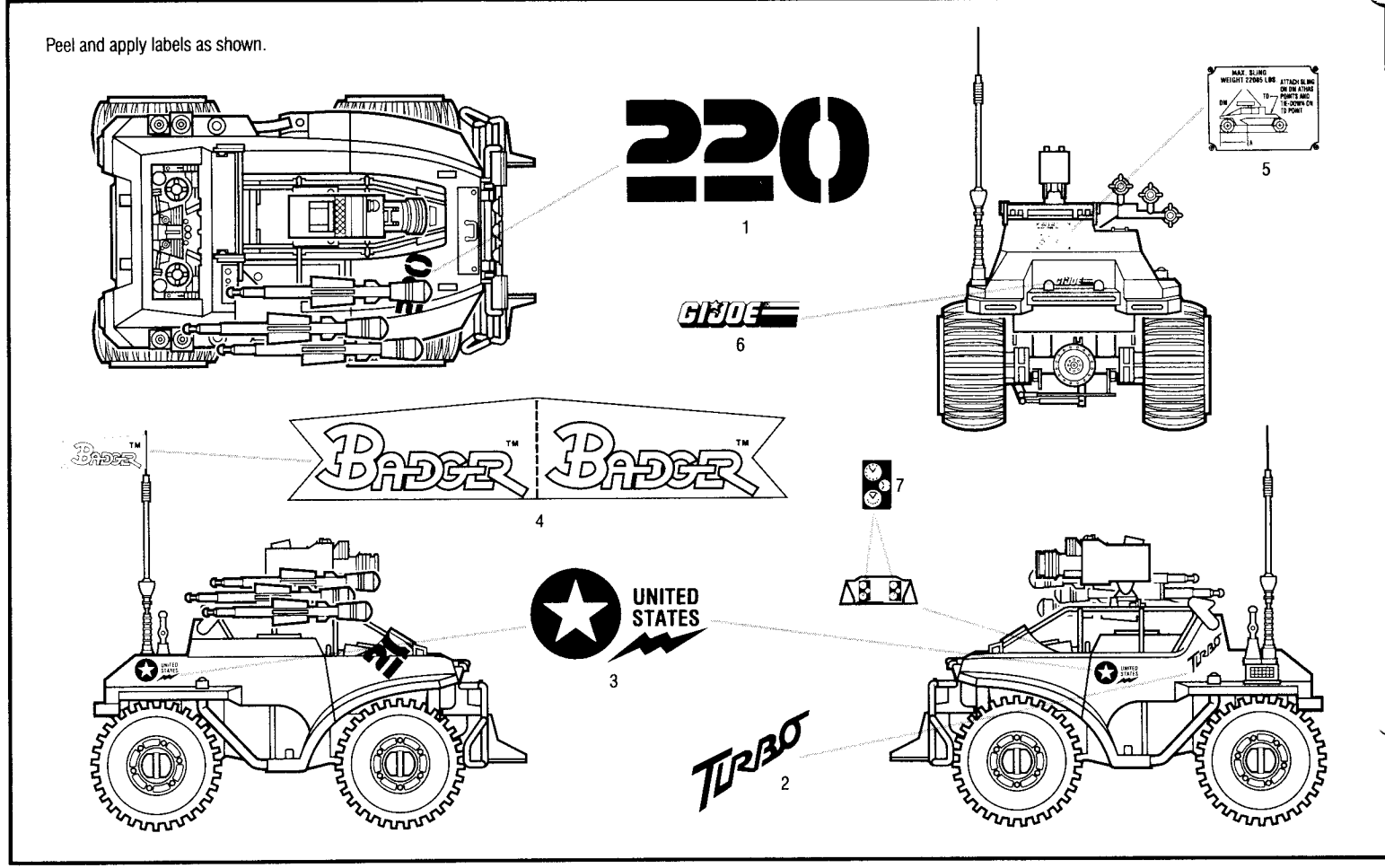
HOW TO LAUNCH MISSILES



- 7** Snap spring action missile launcher into hole in top of roll cage. Fit posts on roll cage rear tabs into holes in body, then snap front end of roll cage into cockpit front as shown.
- 8** Snap antenna into hole in side of body. (ILL. 8)
- 9** Fit missiles onto tabs on roll cage as shown. To fire, remove one missile from tab and load into front end of launcher unit it locks into place, then push trigger. (ILL. 9)

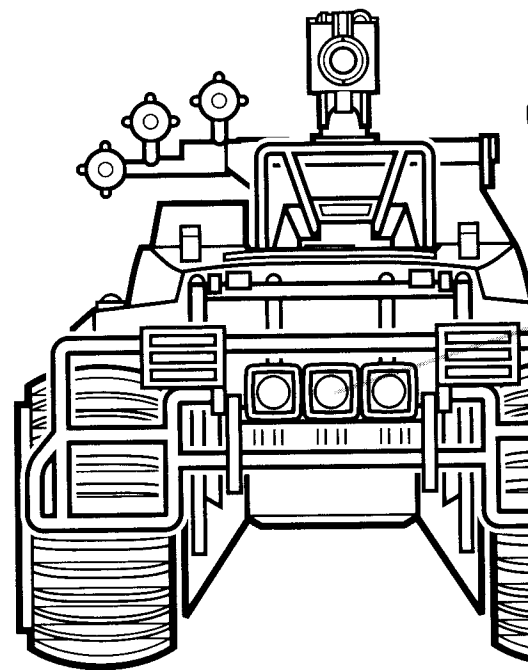
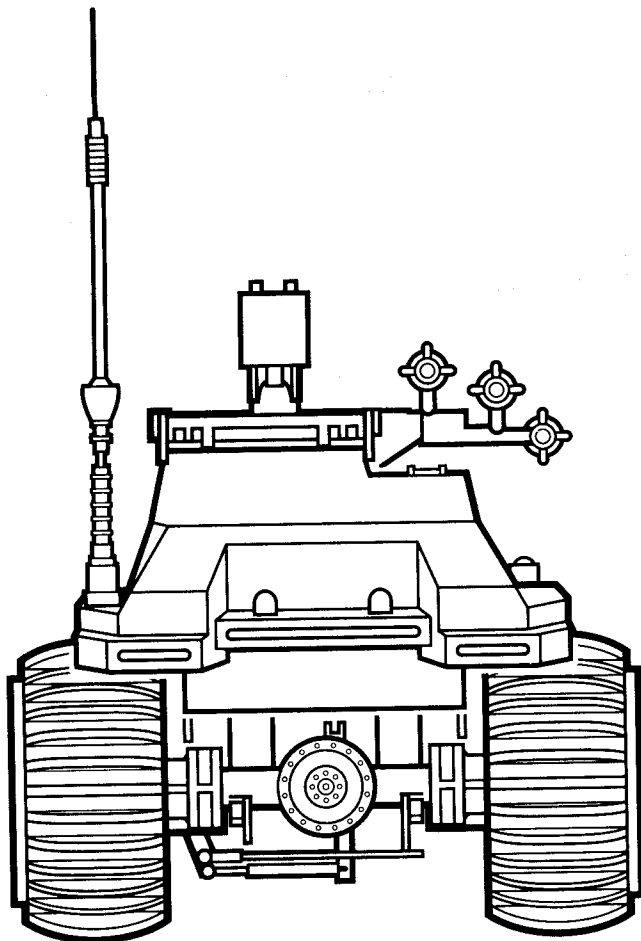
©1990 Hasbro, Inc., Pawtucket, RI 02862 U.S.A. All Rights Reserved. **MADE IN U.S.A.** 6215 P/N 41602300

Peel and apply labels as shown.



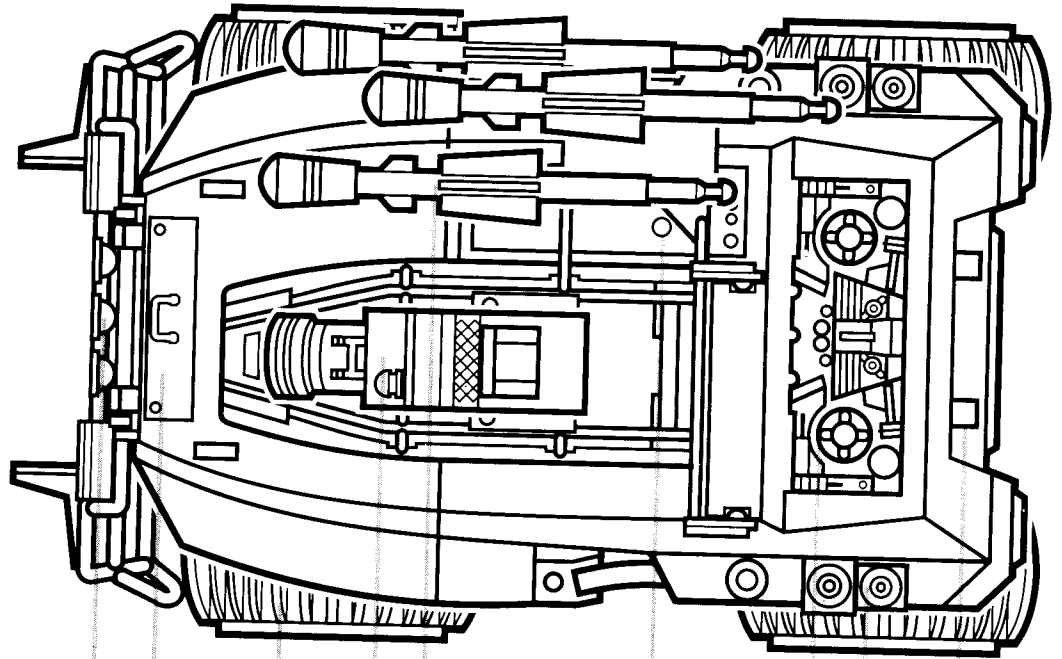
G.I. JOE® BADGER™

- 1) HIGH INTENSITY, 500 WATT SCOPE LIGHT SYSTEM
- 2) FRONT END SUSPENSION, STABILIZER CONTROL HATCH
- 3) DEEP GROOVES, ALL-TRACK, RADIAL TIRES
- 4) SOPHISTICATED, AUTO-FIRE MISSILE LAUNCHER
- 5) GROUND-HUGGING, MINIMAL NOISE OUTPUT, SURFACE-TO-SURFACE MISSILE
- 6) MULTI-PROTECTED, FULL CONTROL DRIVER'S STATION
- 7) SINGULAR ACTIVATION, MISSILE LAUNCH GUIDANCE SYSTEM
- 8) TURBOCHARGED, ELECTRO-COOLED, HYPER-DRIVE POWER PLANT
- 9) ADVANCED SIGNAL TRANSMITTING ANTENNA WITH IN-BOARD JAMMING CAPA
- 10) 25,000 POUND TOW HOOK WITH LOW DRAG STABILIZER

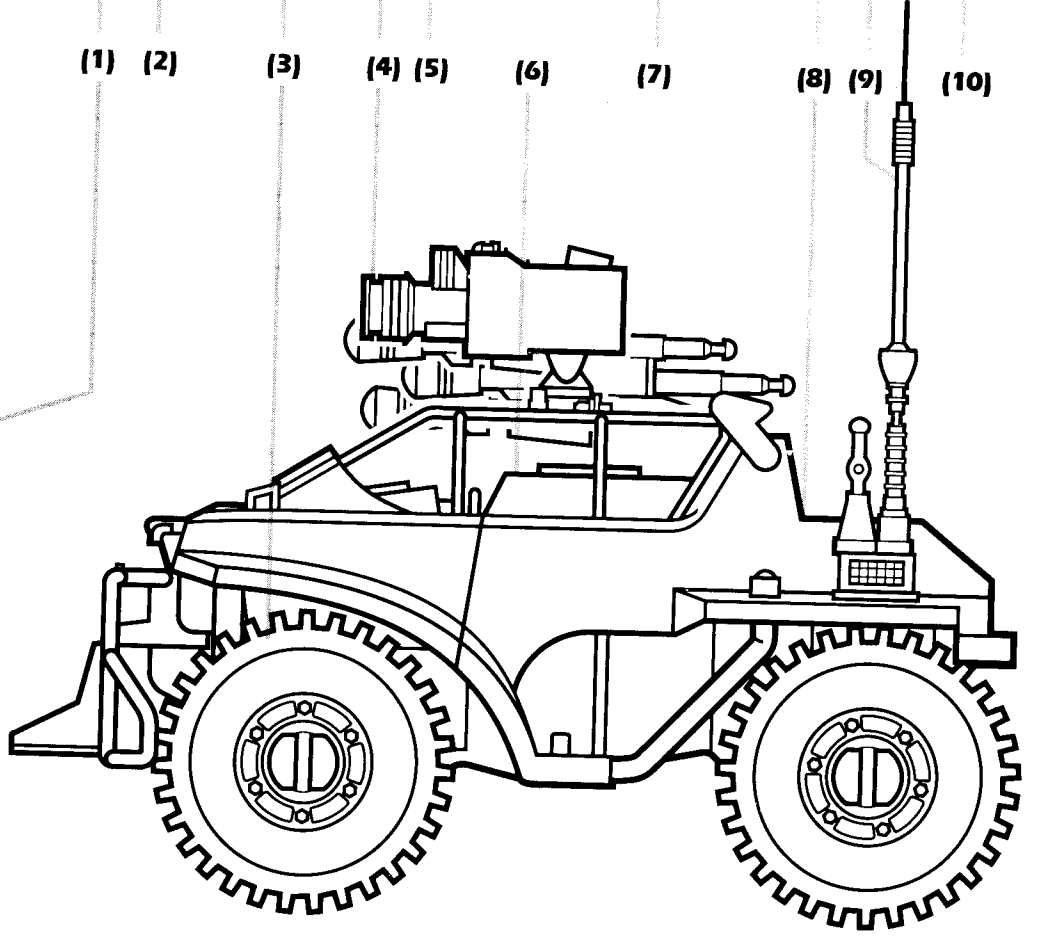




AK



- (1)
- (2)
- (3)
- (4)
- (5)
- (6)
- (7)
- (8)
- (9)
- (10)



51)