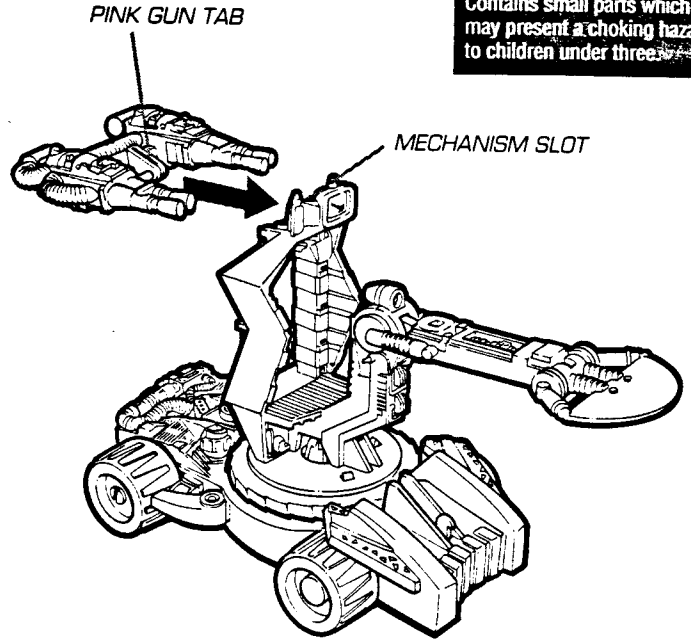
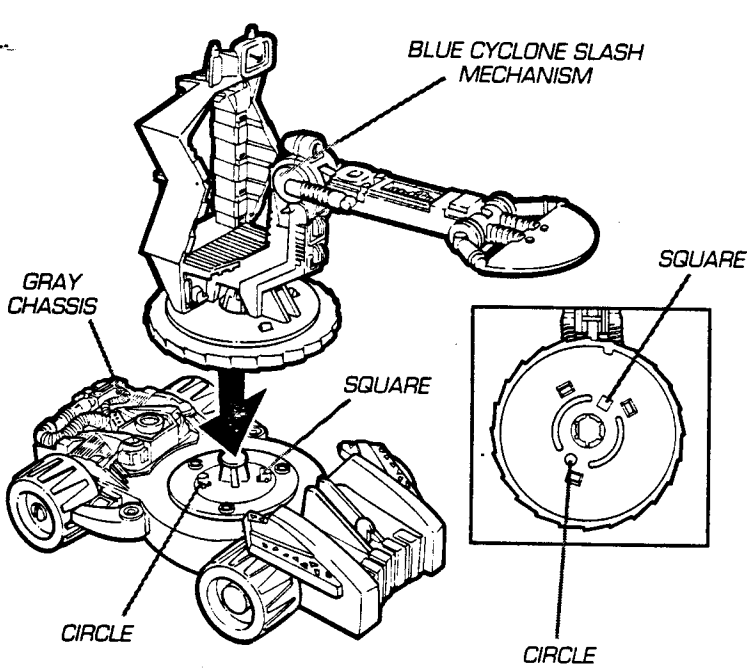


CONTAINS: Ninja Raider vehicle, figure, "Cyclone Slash™" mechanism, gun and label sheet.

6793

WARNING
 Contains small parts which may present a choking hazard to children under three.

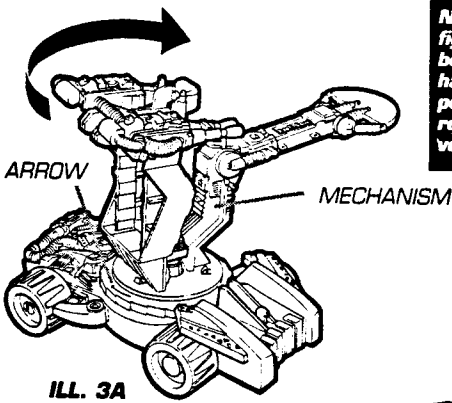


1 MECHANISM ASSEMBLY

Line up the circle and square tabs on gray chassis with circle and square slots below blue "Cyclone Slash" mechanism. Snap mechanism down onto chassis.

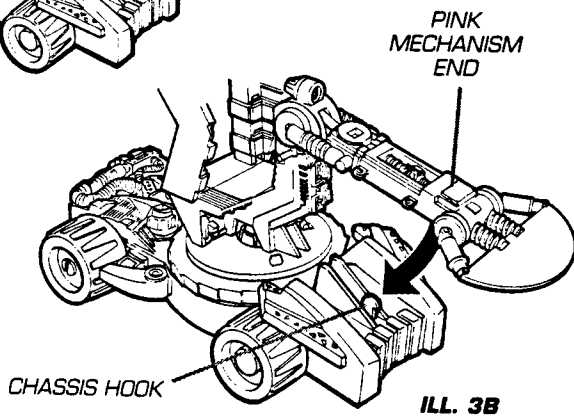
2 GUN ASSEMBLY

Snap pink gun tab onto mechanism slot as shown.



NOTE: When placing figure into vehicle, it is best to fit figure's hands onto vehicle posts so that figure remains in place during vehicle motion.

ILL. 3A



ILL. 3B



ILL. 4A



ILL. 4B

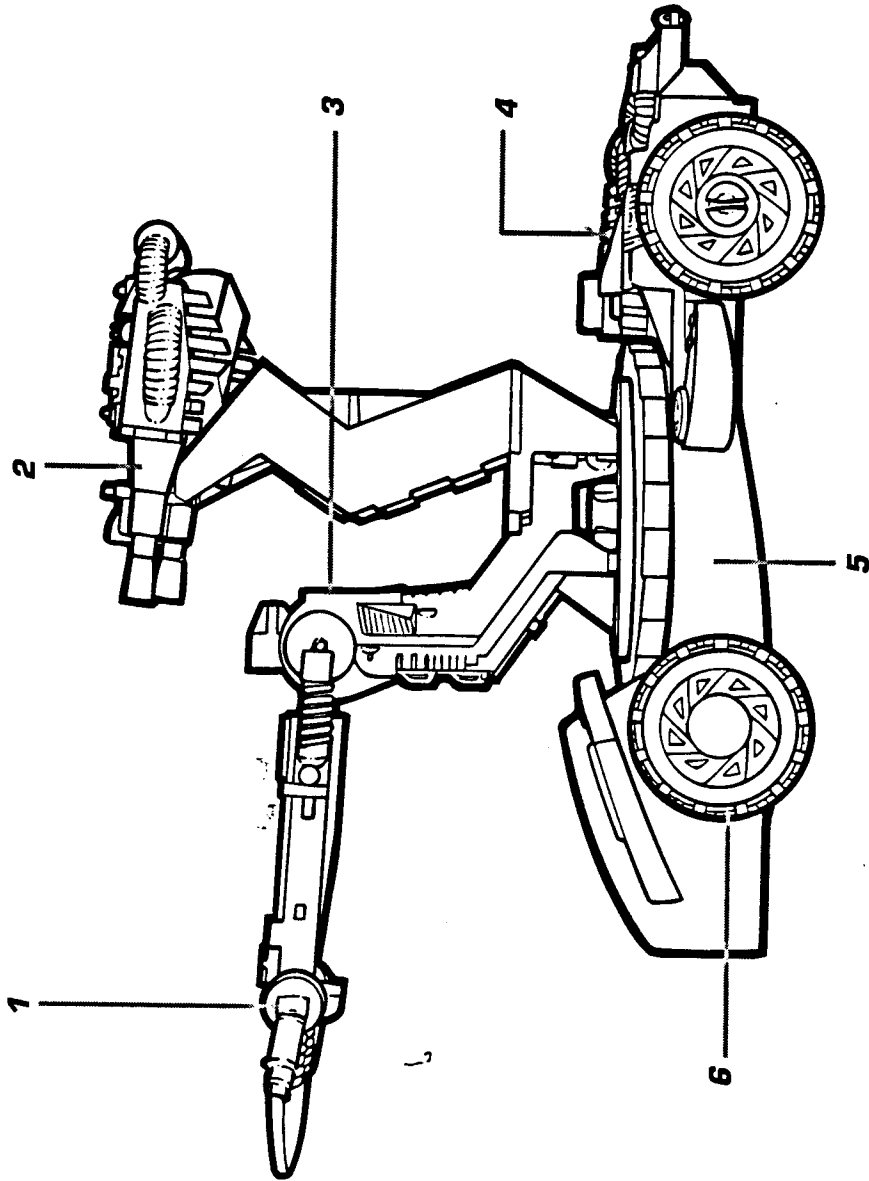
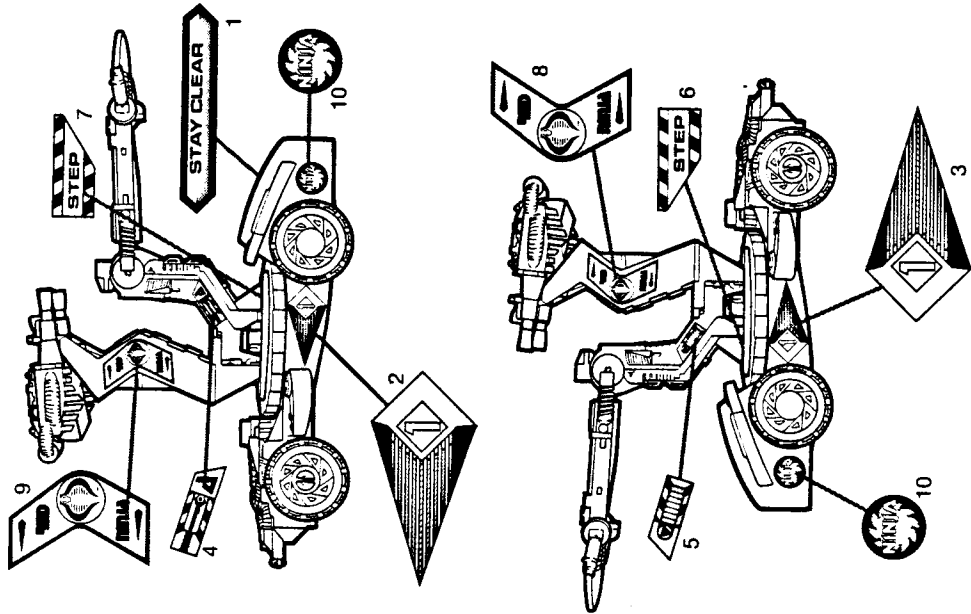
3 OPERATING MECHANISM

Following the direction of the mechanism arrow, rotate mechanism clockwise until it stops (ILL. 3A). Snap pink end of mechanism down into chassis hook (ILL. 3B). Roll vehicle forward to activate spinning "Cyclone Slash" mechanism.

4 RED NINJA™ FIGURE INSTRUCTIONS

Lift right arm and rotate clockwise as shown then hold into position (ILL. 4A). Release arm to activate Shanghai Slice™ maneuver (ILL. 4B).

Peel and apply labels as shown.



BATTLE AX™ OFFICIAL COBRA™ VEHICLE SPECIFICATIONS

- 1) SPINNING "CYCLONE SLASH™" BLADE MECHANISM
- 2) TOP-MOUNTED, RAPID-FIRE, DOUBLE MISSILE GUNS
- 3) PIVOTING COBRA COMMAND OPERATIONS COCKPIT
- 4) HYPER-DRIVE MOTION THRUSTERS WITH EXTERNAL TUBING
- 5) MISSILE REPELLING, BODY ARMOR PLATING
- 6) ALL-TERRAIN TIRES WITH BLADE RESISTANT, SLASH-PROOF TIRES

Product and colors may vary.
 Approximate size of vehicle is 9 1/2" L x 4 1/4" W x 6" H.
 ©1993 Hasbro, Inc., Pawtucket, RI 02862 U.S.A. All Rights Reserved.
MADE IN CHINA.
 6793 P/N 44246600