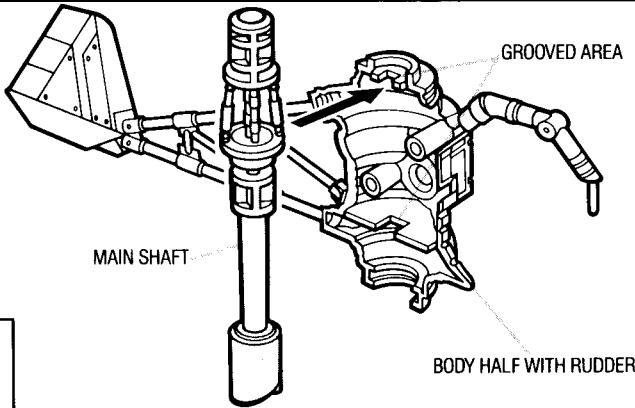


Contains: Left and right Copter body, ripcord, left and right launcher halves, main shaft, launcher activation shaft, rotor, 2 launcher connecting rings, 2 body connecting rings, retaining clip, "MAJOR ALTITUDE"™ figure, label sheet, blueprints and instructions.

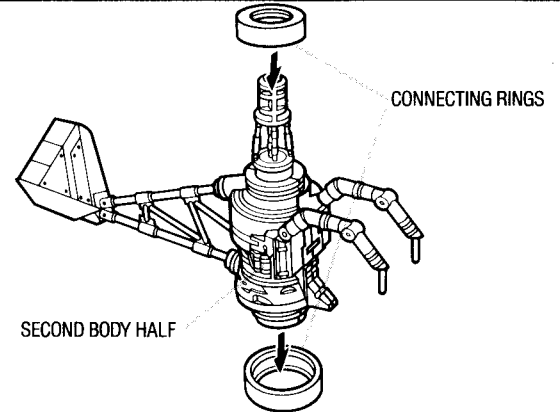
6326

MAIN SHAFT ASSEMBLY



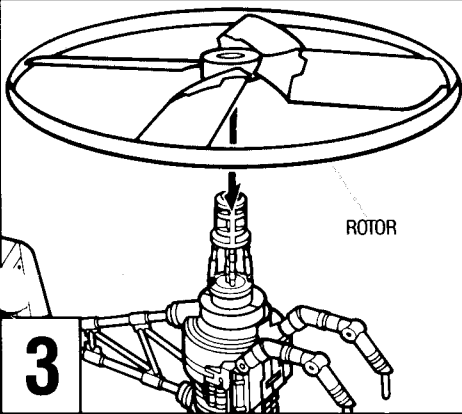
1

BODY ASSEMBLY



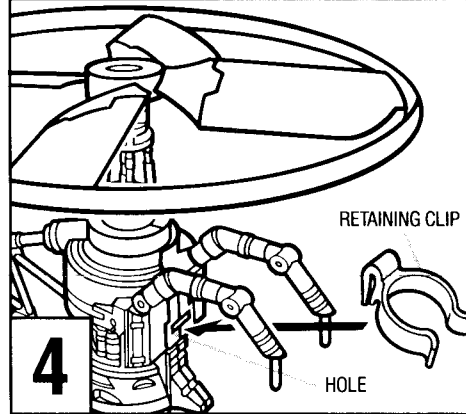
2

ROTOR INSERTION



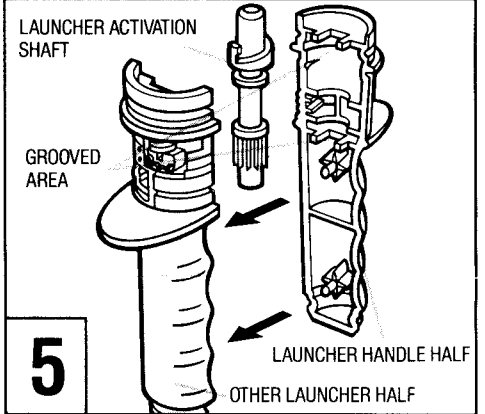
3

FIGURE CLIP INSERTION



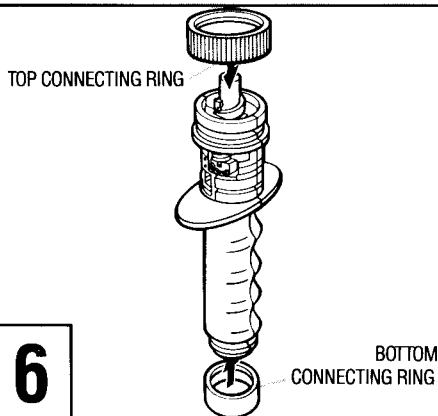
4

LAUNCHER ACTIVATION SHAFT ASSEMBLY



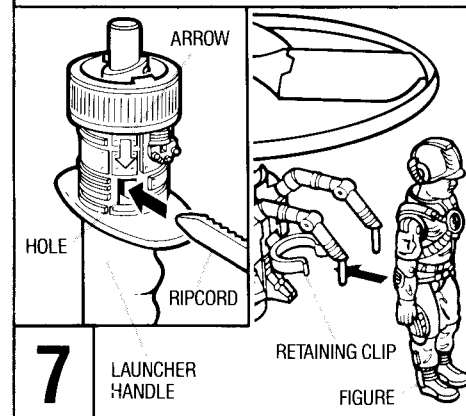
5

CONNECTING RINGS APPLICATION



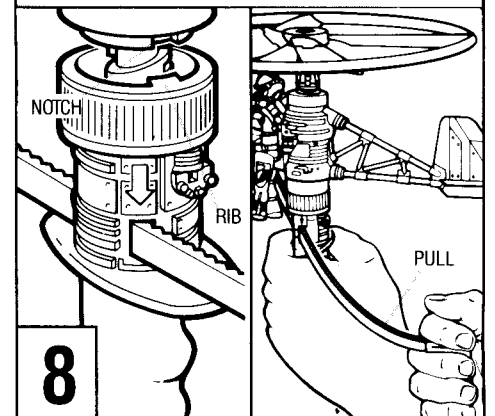
6

RIPCORD AND FIGURE INSTALLATION



7

LAUNCHING THE BATTLE COPTER



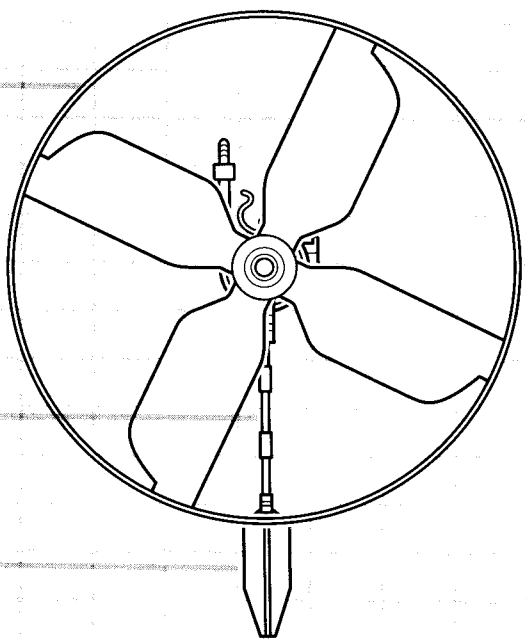
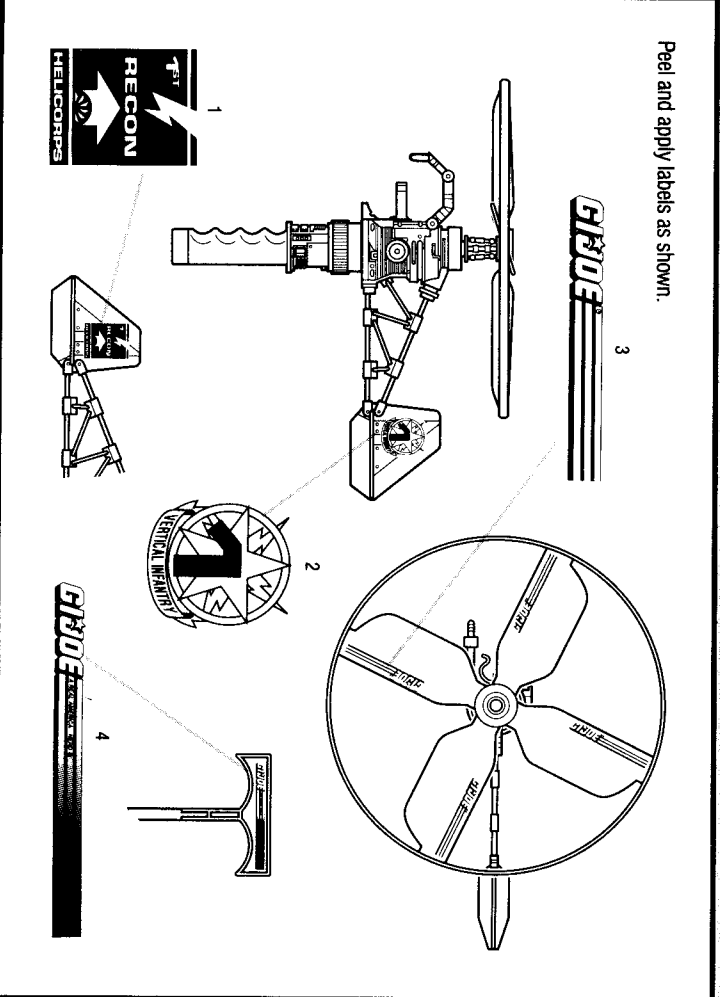
8

- 1 Fit main shaft onto grooved area in body half with rudder as shown. (ILL. 1)
- 2 Fit second body half onto body half with rudder then snap connecting rings onto assembled body top and bottom as shown. (ILL. 2)
- 3 Snap rotor over main shaft as shown. (ILL. 3)
- 4 Fit figure retaining clip into hole in body. (ILL. 4)
- 5 Fit launcher activation shaft over grooved area on launcher handle half as shown. Fit other launcher handle half over shaft and handle. (ILL. 5)
- 6 Snap top connecting ring (with grooves) over top end of launcher handle as shown. Snap bottom connecting ring onto bottom of launcher handle. (ILL. 6)
- 7 Load ripcord through hole under arrow in launcher activation handle as shown (INSET). Make sure ripcord grooves are facing toward middle of handle when inserting. First snap figure into retaining clip, then attach hands to handles. (ILL. 7)
- 8 Align notch in copter with rib on handle and fit together. Grasp handle, then in a quick, smooth motion, pull the ripcord and the Battle Copter will fly off the handle. (NOTE: Be sure copter flies away from face and eyes.) (ILL. 8)

G.I. JOE[®] BATTLE COPTER[™]

- 1) EASY-GRIP, HIGH STRESS RIPCORD
- 2) AERODYNAMIC, CIRCULAR REVOLUTION FLIGHT ROTOR
- 3) PERSONNEL SECURITY BRACE FOR HIGH-ALTITUDE MANEUVERS
- 4) IMPACT-PROOF, FULL-THROTTLE POWER PLANT/LAUNCHER
- 5) LIGHTWEIGHT, FLEXI-STRUCTURE SHAFT
- 6) REAR MOBILITY, DIRECTIONAL BALANCE RUDDER STABILIZER

Peel and apply labels as shown.



- (1)
- (2)
- (3)
- (4)
- (5)
- (6)

