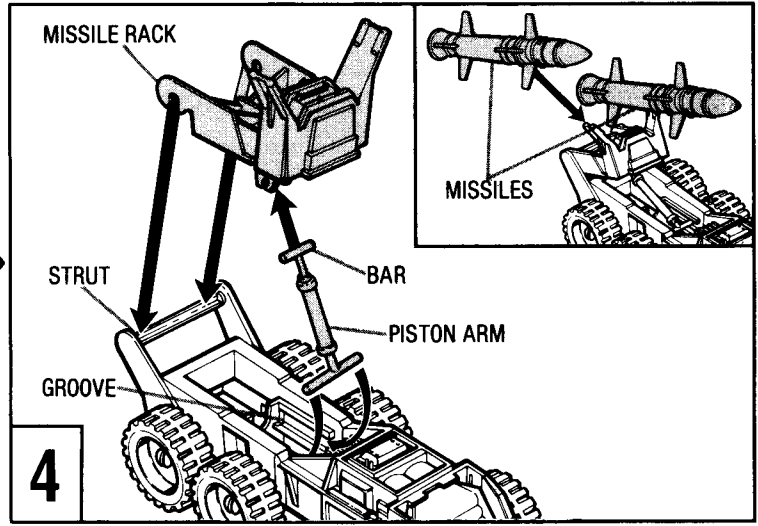
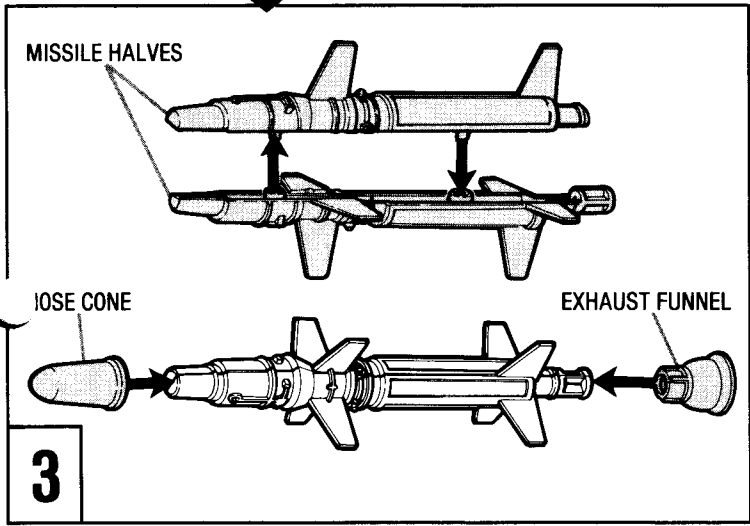
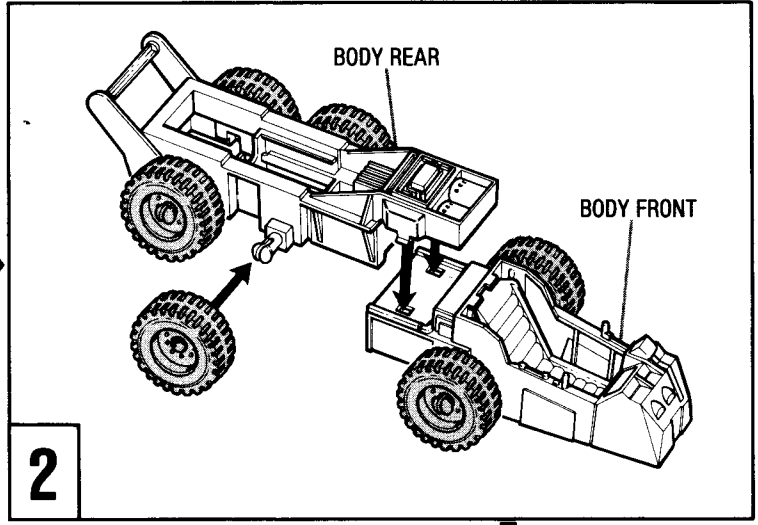
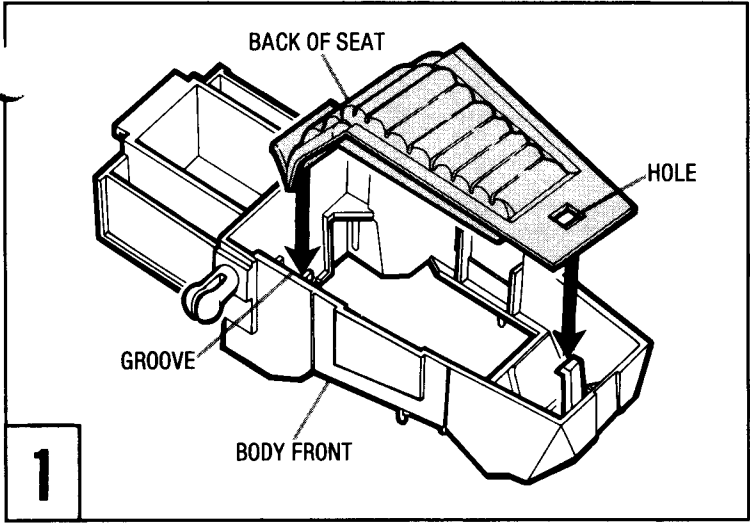
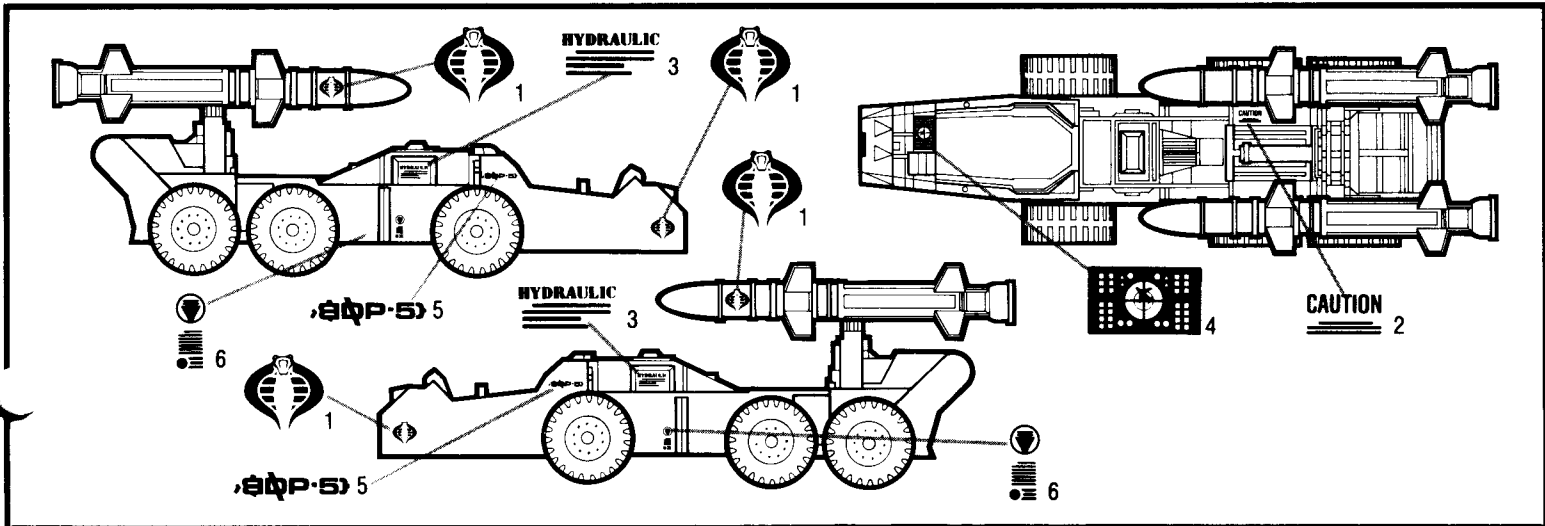


6887

Remove all pieces from plastic frames. If you have difficulty, use safety scissors.



1. Turn body front upside down. Insert back of seat into groove, then snap hole in seat over tab on body front. (ILL. 1)
2. Turn body front right side up. Snap tabs on body rear into holes in body front. Snap wheels (6) onto posts on body. (ILL. 2)
3. Snap missile halves together. Fit nose cone on front end of missile. Snap exhaust funnel onto the rear end of the missile. Repeat for other missile. (ILL. 3)
4. Slide piston arm into groove and snap bar between tabs underneath missile rack. Snap missile rack onto strut on body rear. With the nose cones facing forward, fit holes in missiles over tabs on missile rack. (INSET) (ILL. 4)



COBRA ADDER

- 1) VEHICLE DRIVER CONTROL STATION/FIRE CONTROL OPERATIONS
- 2) DUAL-AXLE/REAR TRANSAXLE CHASSIS CONFIGURATION
- 3) MID-COURSE CORRECTING ELECTRONIC COMMAND DATA LINK
- 4) FIRE CONTROL/VEHICLE OPERATION ELECTRO-MAGNETIC LEVERS
- 5) "OD" QUICK-DELIVERY PUNCTURE-PROOF TIRES
- 6) MULTIFUNCTION PHASED ARRAY RADAR COMPUTER
- 7) EXPLOSION RESISTANT MILLIMETER-WAVE SIGNATURE SENSOR
- 8) ANTI-TANK CLUSTER MUNITION
- 9) GLIDE RANGE INCREASING PLANAR CONTROL SURFACES
- 10) "WHITE HEAT II" SSM (SURFACE-TO-SURFACE MISSILE)
- 11) BERNDT LR-58 SOLID PROPELLANT ENGINE
- 12) MICRO-CRUCIFORM ADJUSTMENT VANES
- 13) DUAL-THRUST ENGINE EXHAUST SYSTEM

