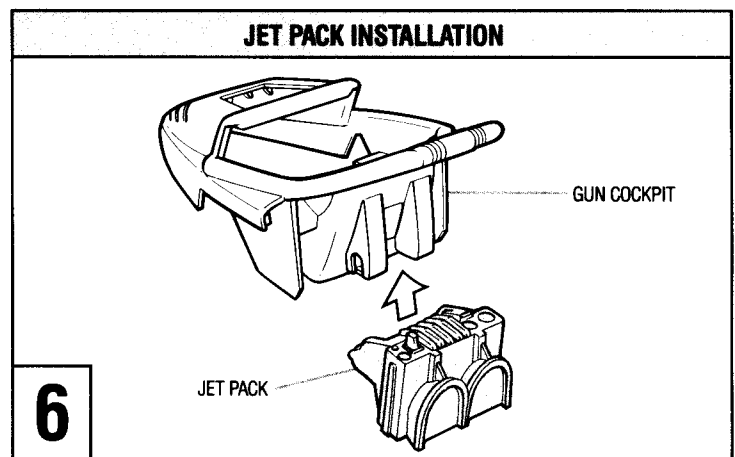
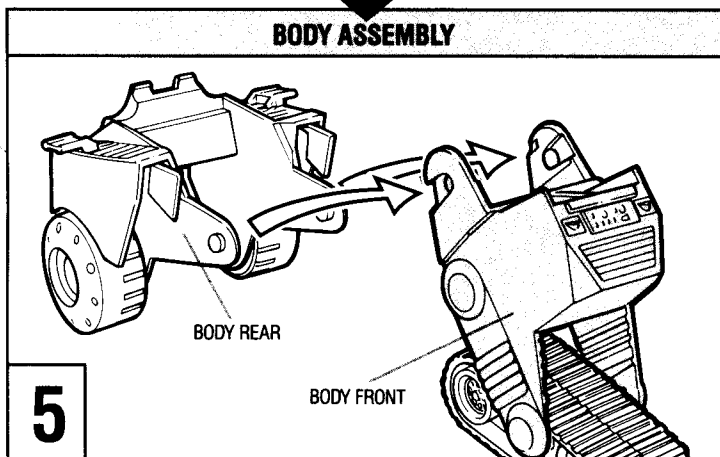
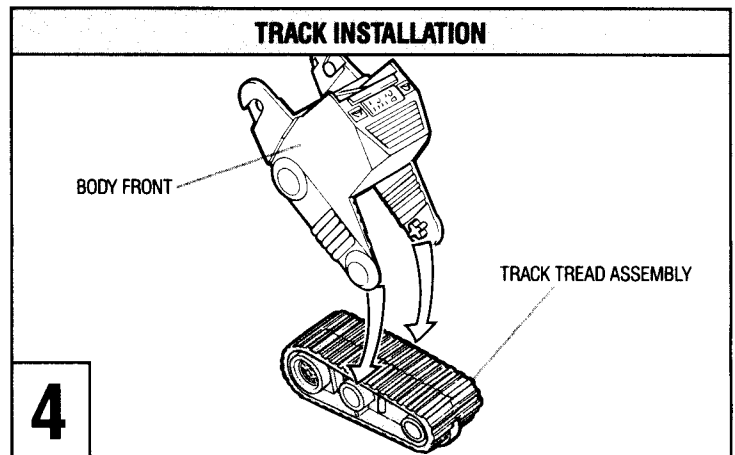
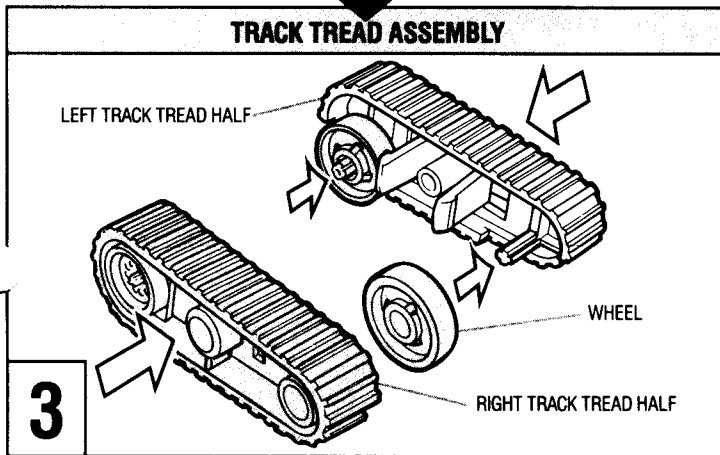
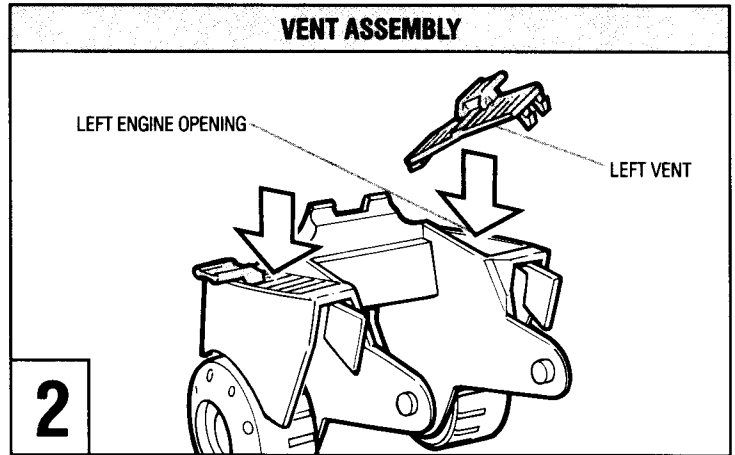
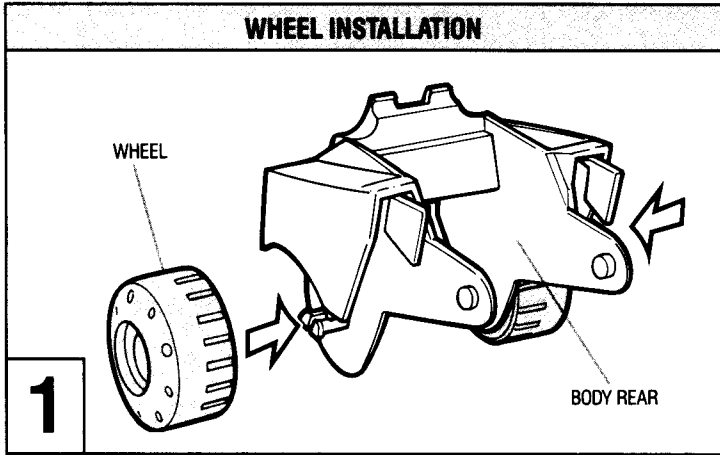
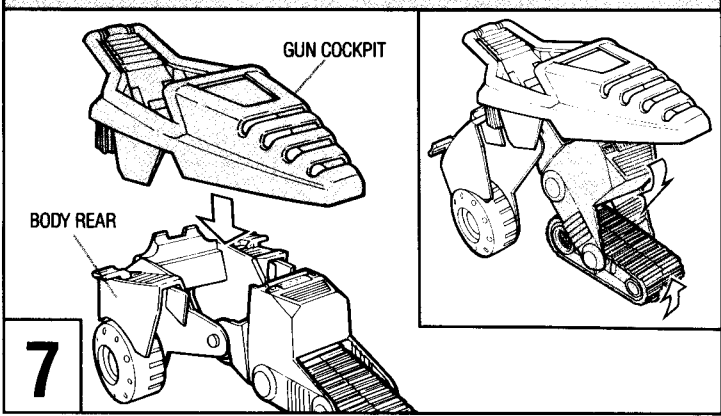


Contains: Body front & rear, gun cockpit, jet pack, right and left engine vents, 2 guns, 2 missiles, left & right track tread halves, 2 wheel discs, 2 rear wheels, retainer clip, "Overlord"™ figure, R.I. Joe folder, label sheet and instructions.



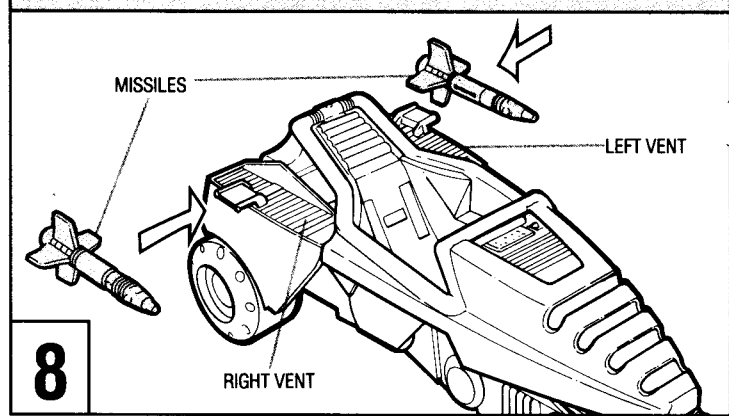
- 1 Snap wheels (2) onto body rear. (ILL. 1)
- 2 Insert rear tab on left vent, marked "L", into left engine opening as shown. Snap front tab into place as shown. Repeat for right vent, marked "R". (ILL. 2)
- 3 Place wheels over posts on left track tread half. Snap right track tread half, marked "R", over left track tread half trapping wheels. (ILL. 3)
- 4 Snap track tread assembly onto body front as shown. (ILL. 4)
- 5 Snap body front onto body rear. (ILL. 5)
- 6 Snap jet pack onto rear of gun cockpit. (ILL. 6)

GUN COCKPIT INSTALLATION/ACTIVATION



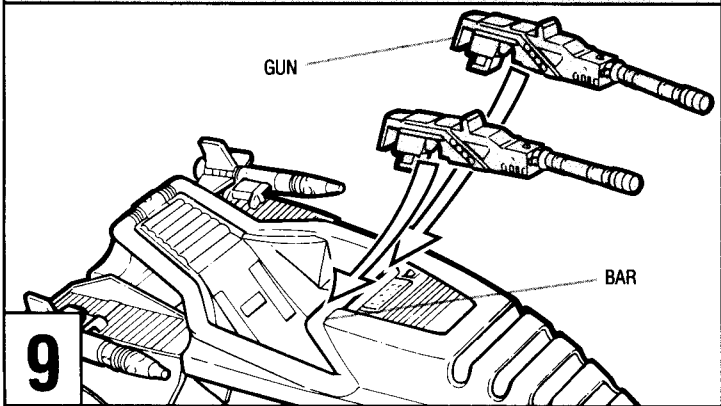
7

MISSILE INSTALLATION



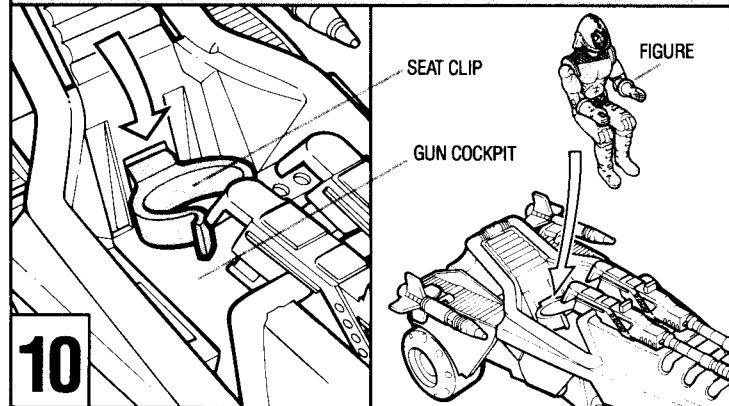
8

GUN INSTALLATION



9

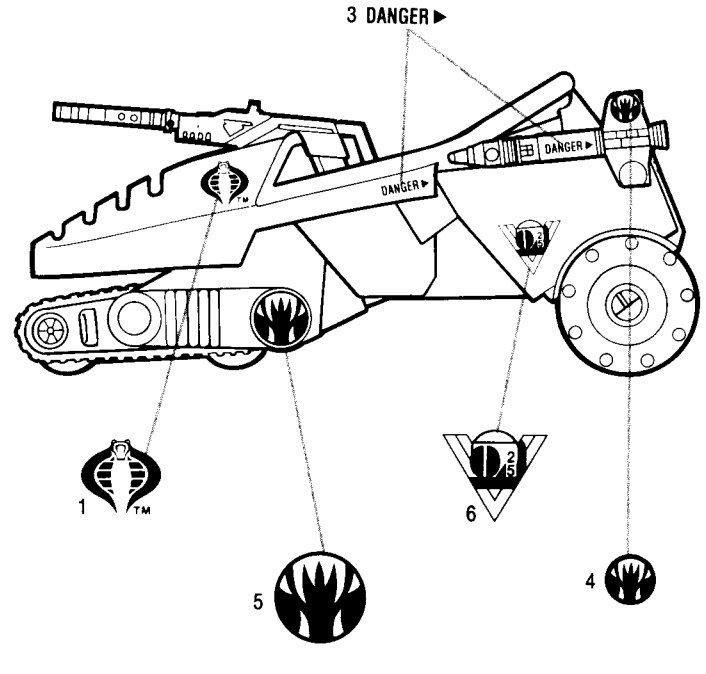
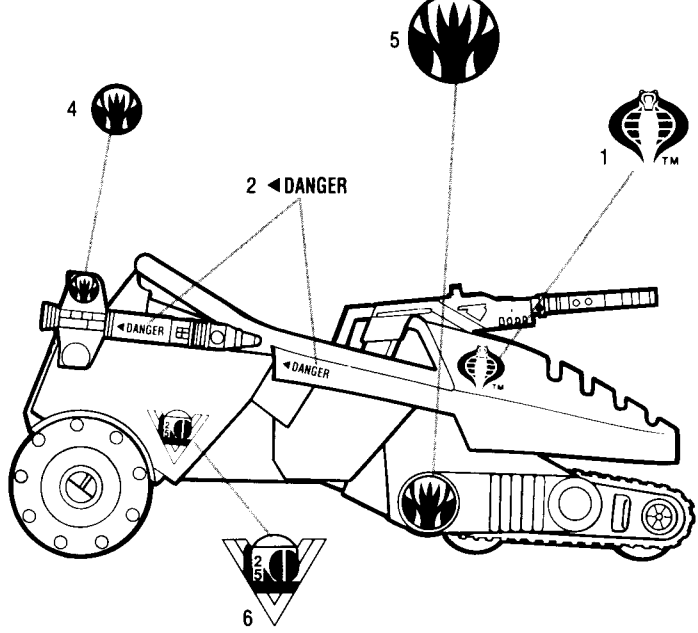
SEAT CLIP/FIGURE INSTALLATION



10

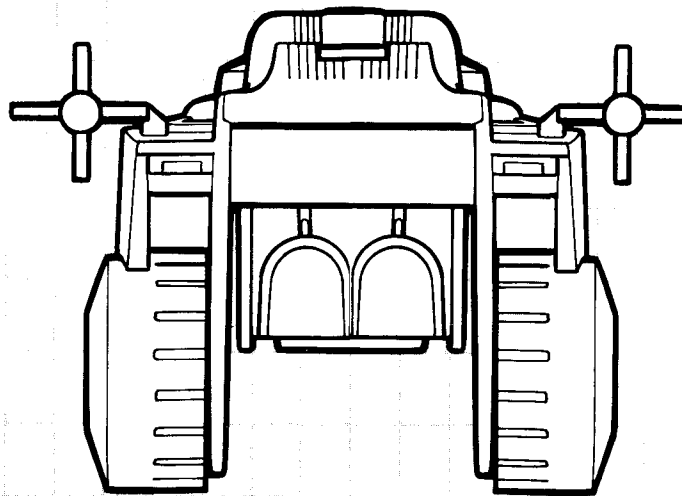
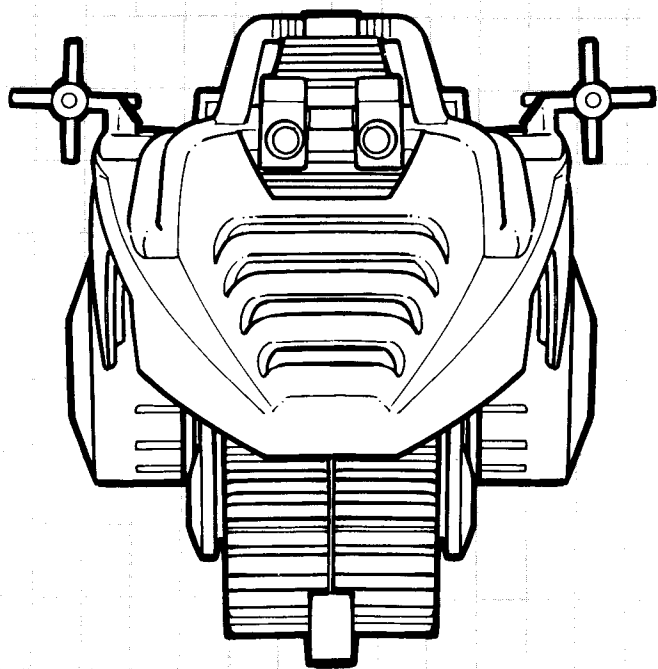
- 7 Fit gun cockpit over posts on body rear. To elevate gun cockpit, fold in track tread and pivot body downwards as shown. (INSET) To use the cockpit as a gun pod, detach cockpit from body rear. NOTE: Make sure jet pack on gun cockpit is positioned down before installing gun cockpit into body rear. (ILL. 7)
- 8 Fit missiles over tabs on right and left vents. (ILL. 8)
- 9 Fit guns onto bar on gun cockpit. The guns are also detachable and can be held by the Overlord figure. (ILL. 9)
- 10 Fit seat clip into gun cockpit as shown. Place Overlord figure into cockpit. (ILL. 10)

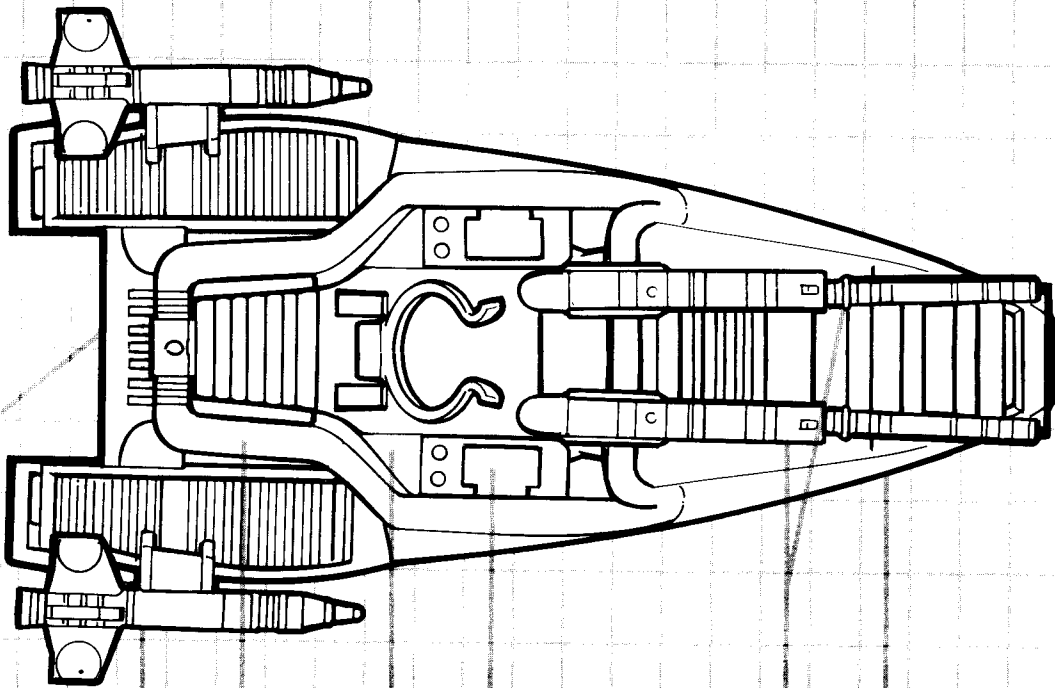
Peel and apply labels as shown.



COBRA™ OVERLORD'S™ DICTATOR™

- 1) LOW IMPACT, ELEVATION STABILIZER REAR QUARTER**
- 2) LOW-TO-THE-GROUND, AIR-TO-SURFACE MISSILES**
- 3) COCKPIT PERSONNEL PROTECTOR RIM**
- 4) SYNCHRONIZED CONTROL SEAT ADJUSTMENT MODULE**
- 5) FULL BLAST AMMUNITION FIRE COMPUTER**
- 6) RAPID FIRE, 40-CALIBRE, HIGH IMPACT MACHINE GUNS**
- 7) SILICONE COATED, BLAST-PROOF BODY**
- 8) ALL-TERRAIN, FULLY MANEUVERABLE TRACK TREADS**





- (1)
- (2)
- (3)
- (4)
- (5)
- (6)
- (7)
- (8)

