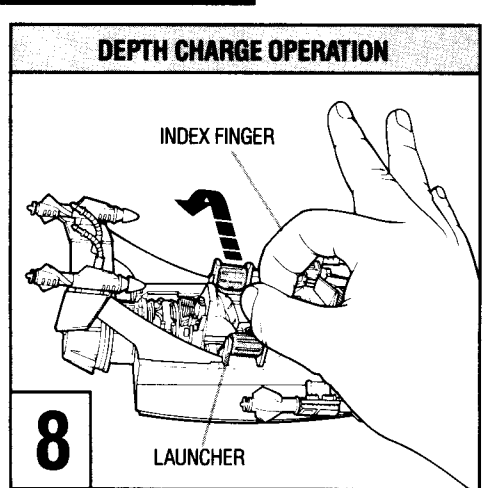
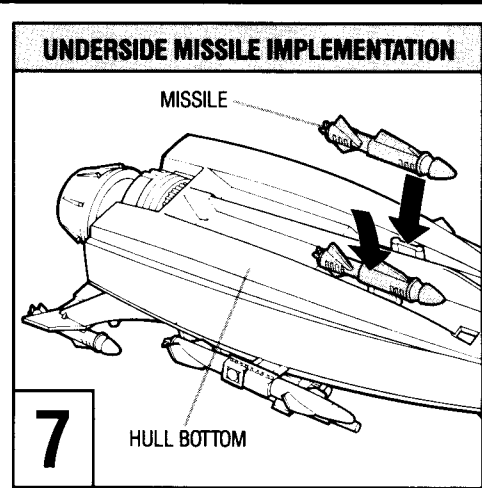
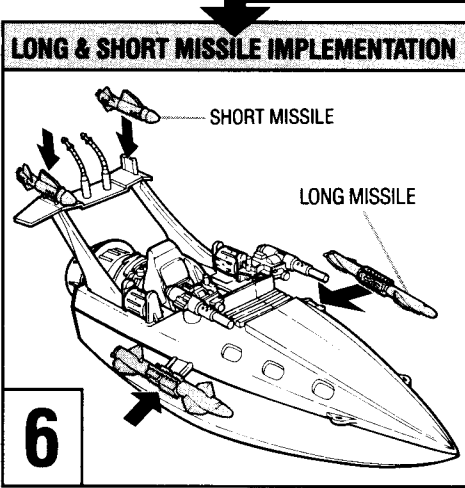
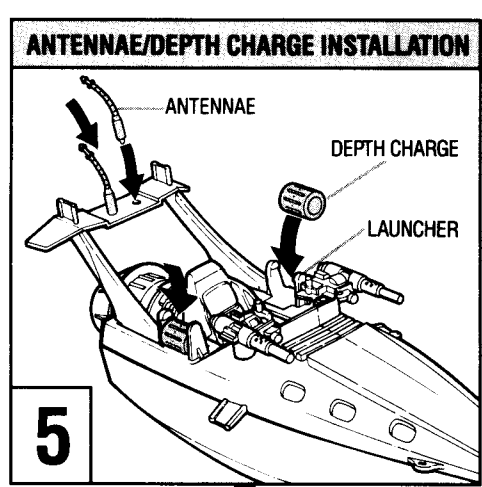
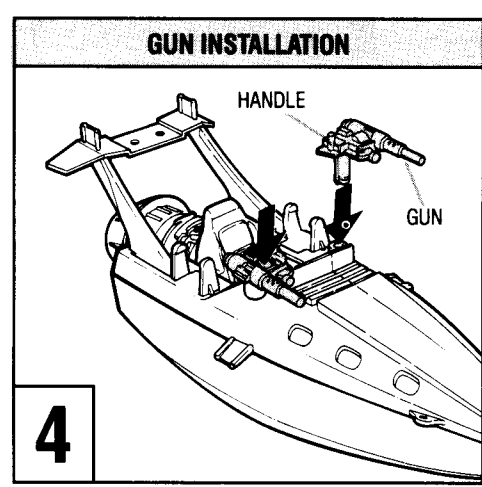
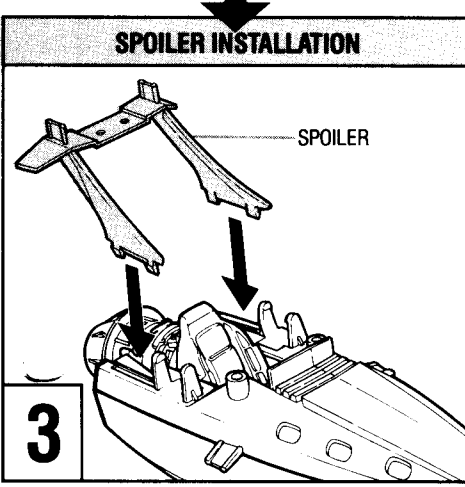
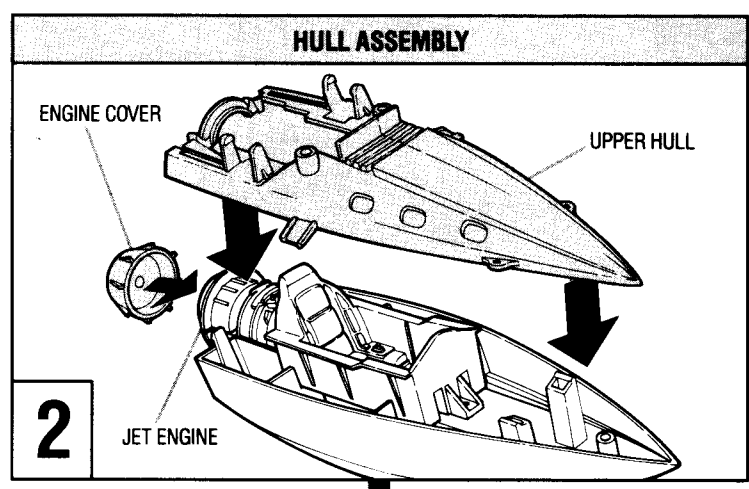
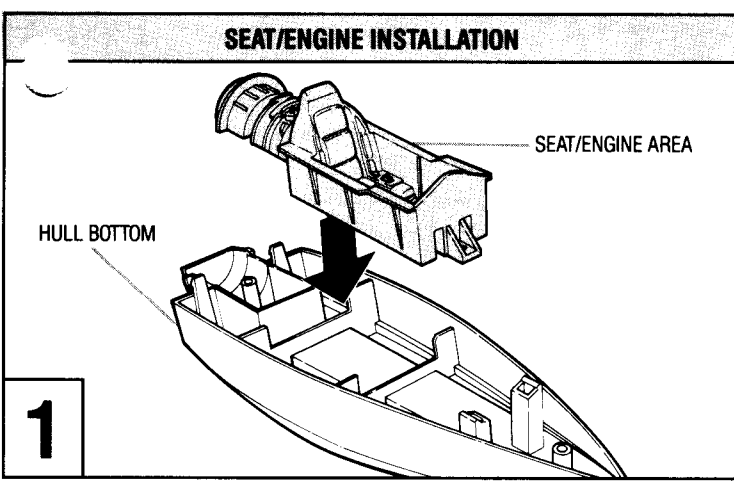


6385

Contains: Hull, deck, cockpit/engine, engine exhaust, air foil, 2 antennae, 6 torpedoes, 2 machine guns, 2 depth charges, retaining clip, G.I. Joe folder, label sheet and instructions.

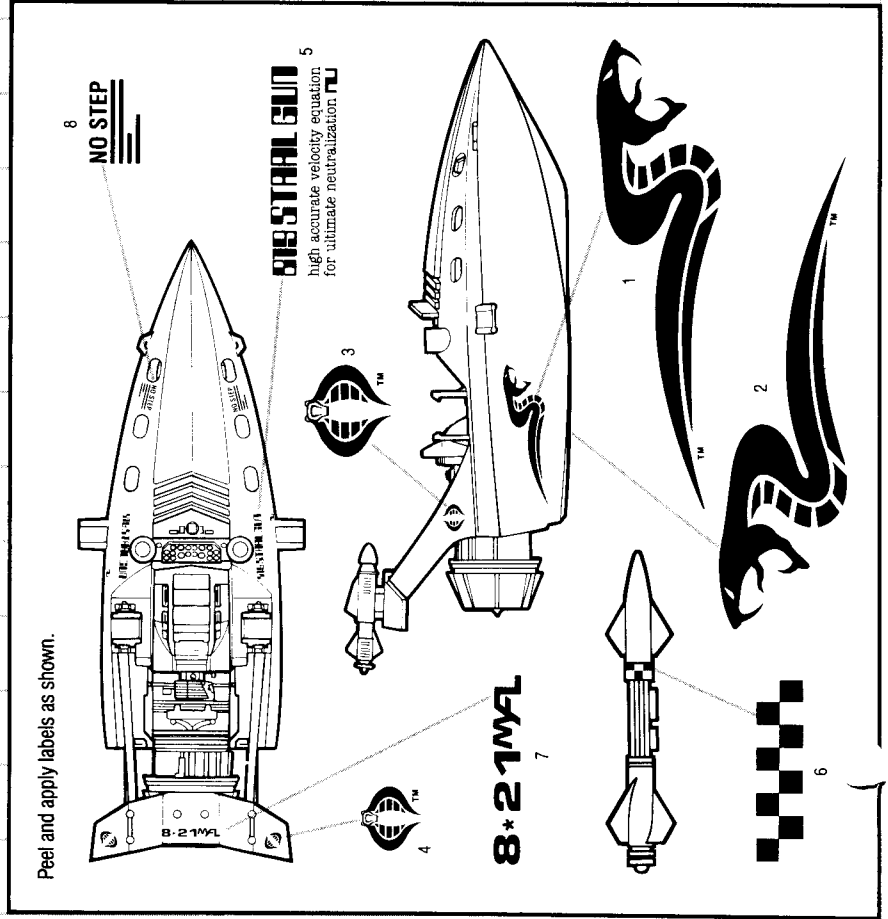
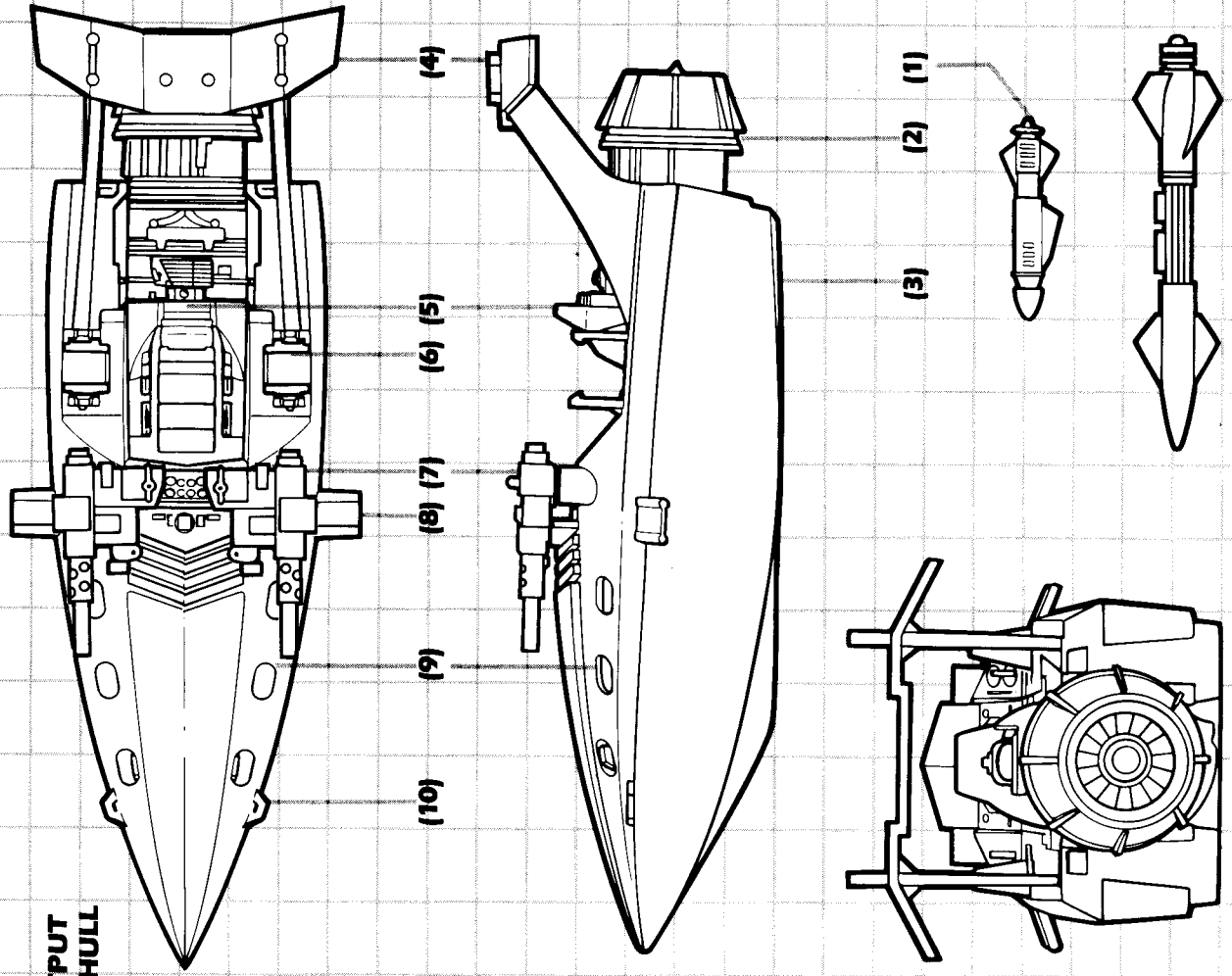


- 1 Fit posts on seat/engine area into holes in hull bottom. (ILL. 1)
- 2 Snap upper hull over hull bottom. Snap engine cover onto jet engine as shown. (ILL. 2)
- 3 Snap spoiler into slots in upper hull. (ILL. 3)
- 4 Position gun handles toward cockpit panel as shown. Snap guns into holes in hull as shown. (ILL. 4)
- 5 Insert antennae into holes in spoiler as shown. Snap depth charges into depth charge launchers on hull. (ILL. 5)
- 6 Fit long missiles over tabs on hull sides. Fit two small missiles over tabs on spoiler. (ILL. 6)
- 7 Turn hull upside down. Fit two missiles onto tabs on hull bottom. (ILL. 7)
- 8 Position hand behind depth charge launcher as shown. **To launch depth charges** — flick index finger toward depth charge. (ILL. 8)

*NOTE. When installing figure, fit retaining clip onto figure then insert into cockpit.

COBRA™ PIRANHA™

- 1) SURFACE-SKIMMING, LOW NOISE, CONCUSSION MISSILE
- 2) SUPER-CHARGED, ENGINE THRUSTER WITH HIGH ENERGY OUTPUT
- 3) LIGHTWEIGHT, DOUBLE REINFORCED, ANTI-TORPEDO/MISSILE HULL
- 4) SPEED ENHANCING ACCELERATOR SPOILER
- 5) ADVANCED, ANGLE OF ATTACK, TECHNO-COCKPIT
- 6) HIGH-VELOCITY, PINPOINT, SELF-IMPLEMENTING, TARGET-SIGHTING, DEPTH CHARGE LAUNCHER
- 7) FULLY-ACCESSIBLE, "POP-IN, POP-OUT" MACHINE GUN EMPLACEMENT STATION
- 8) SIDE-MOUNTED, SUB-SURFACE, TORPEDO LAUNCH TAB
- 9) 12,000 HP, HYDRAULICALLY ENERGIZED, AQUA POWER PLANT
- 10) MULTI-DOCKING JOINT HOOK-UP



Peel and apply labels as shown.