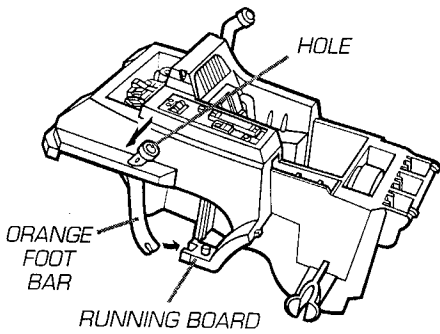


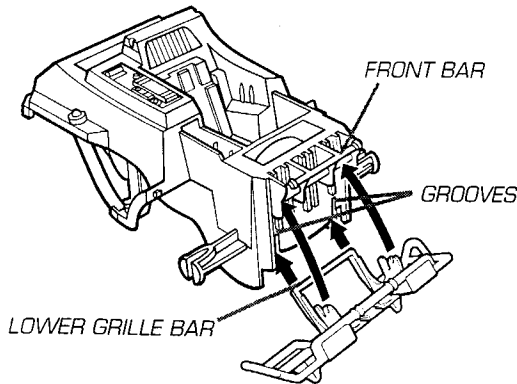
CONTAINS: Vehicle body, front bumper, rear suspension, roll cage, 3 missiles, missile launcher, antenna, hood, launcher pivot connector, 2 foot bars, 4 tires and label sheet.
CAUTION: Do not point weapon at eyes or face.

WARNING
Contains small parts which may present a choking hazard to children under three.



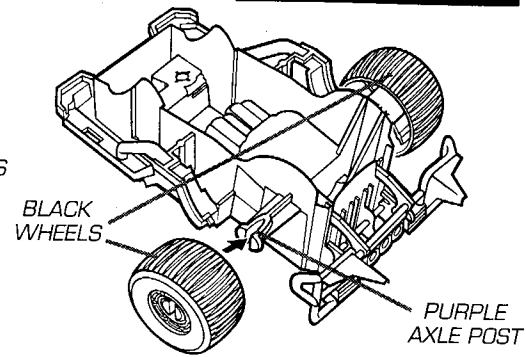
1. FOOT BAR ASSEMBLY

Fit orange foot bar through hole in side of purple vehicle and snap onto running board as shown. Repeat for other side.



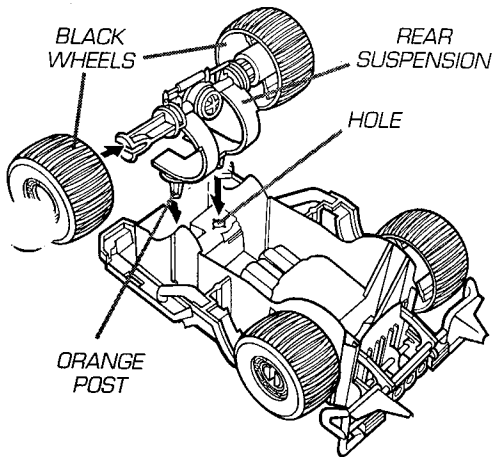
2. FRONT GRILLE ASSEMBLY

Slide lower orange grille bar up into grooves in front of vehicle, then snap grille onto front vehicle bar.



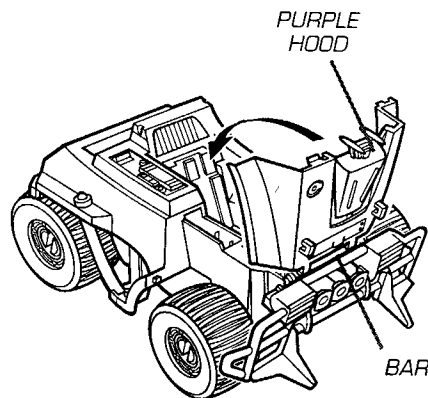
3. WHEEL ASSEMBLY

Snap two black wheels onto purple front axle posts. Snap other two wheels onto posts on orange rear suspension.



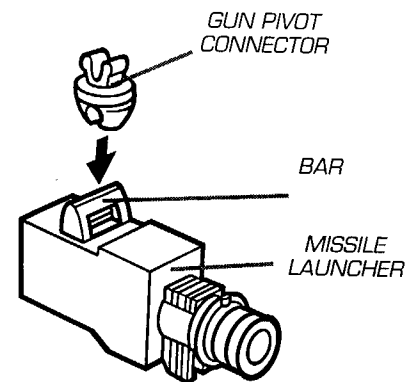
4. REAR SUSPENSION ASSEMBLY

Turn vehicle upside down. With rear suspension facing as shown, snap orange suspension posts into holes in rear of vehicle.



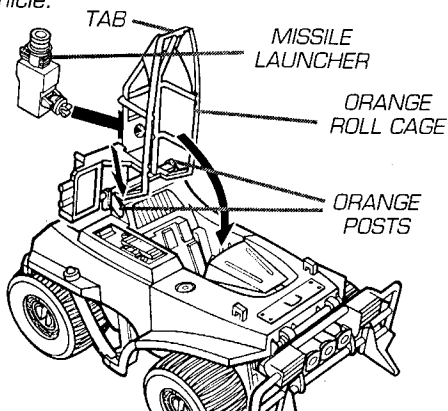
5. HOOD ASSEMBLY

Turn vehicle right side up. Snap purple vehicle hood tabs onto purple vehicle bar, then swing hood down and snap into place. Hood is designed to open and close.



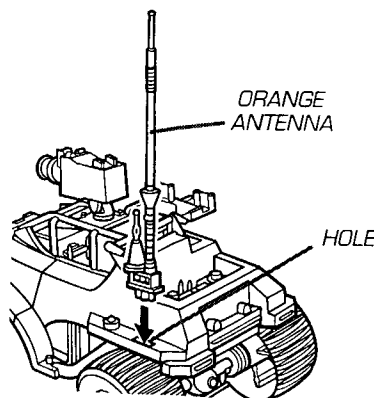
6. PIVOT CONNECTOR/LAUNCHER ASSEMBLY

Snap orange pivot connector onto bar on purple missile launcher as shown.



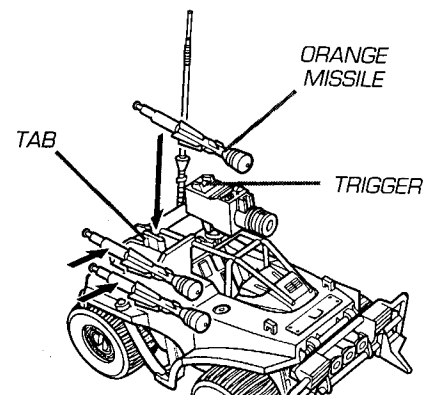
7. ROLL CAGE ASSEMBLY

Snap pivot connector and launcher into hole in top of orange roll cage. Fit orange posts at rear of roll cage into vehicle holes as shown, then swing down roll cage and snap front tab into place. Roll cage is designed to open and close.



8. ANTENNA INSERTION

Snap orange antenna into hole in side of vehicle.



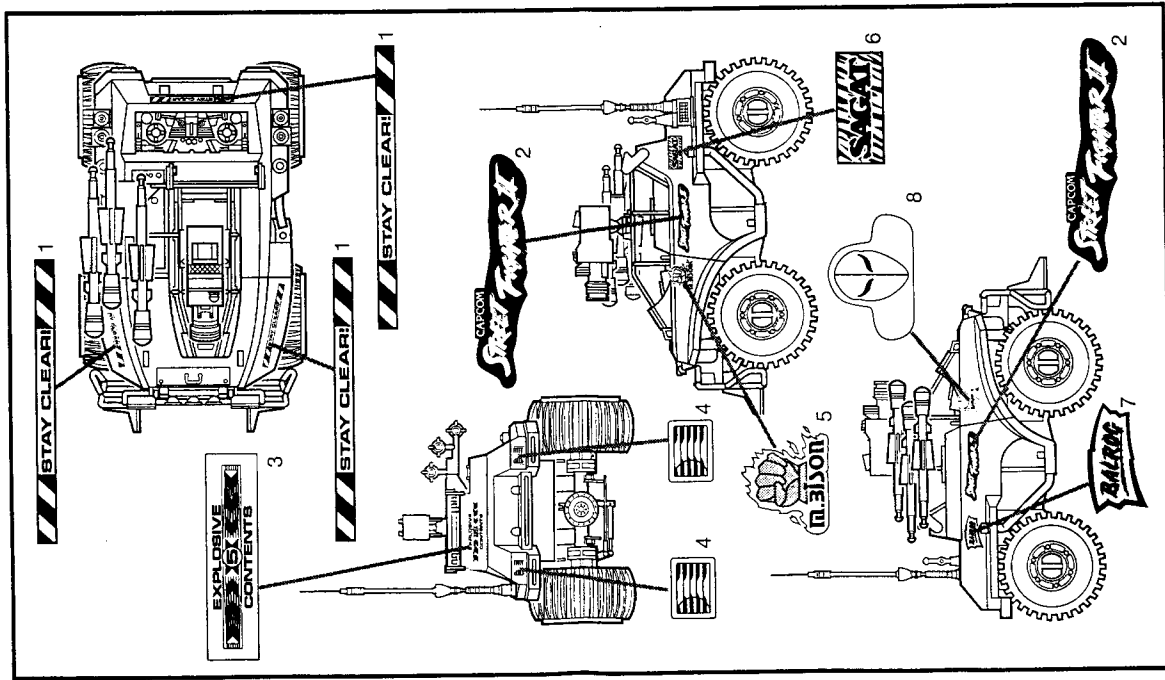
9. LAUNCHING MISSILES

The three orange missiles store on roll cage tabs as shown. To fire, remove missile from tab and load into front of launcher until it locks in place, then push trigger.

GIJOE

A REAL AMERICAN HERO®

GIJOE
STREET FIGHTER II
CAPCOM



CRIMSON CRUISER™ OFFICIAL G.I. JOE VEHICLE SPECIFICATIONS

1. SPRING-ACTION "BISON BLASTER" MISSILE LAUNCHER
2. THREE "BISON BLASTER" CONCUSSION MISSILES
3. ADVANCED SIGNAL TRANSMITTING, STREET SURVEILLANCE ANTENNA
4. FLEXIBLE REAR STREET SUSPENSION
5. FOOT SUPPORTS HOLD STREET FIGHTER FIGURES
6. ALL-TERRAIN, FOUR-WHEEL DRIVE MONSTER TIRES
7. CEMENT CRUSHER SPIKED BUMPER
8. DURABLE, HEAVY DUTY OPENING ROLL CAGE

Product and colors may vary.
Approximate size of Crimson Cruiser is 8" L x 5" W x 7 1/2" H.
™ & © 1993 Capcom Co., Ltd. All Rights Reserved.
© 1993 Hasbro, Inc., Pawtucket, RI 02862 U.S.A. All Rights Reserved.
FIGURE MADE IN CHINA. VEHICLE MADE IN U.S.A.
6201 P/N 44313800