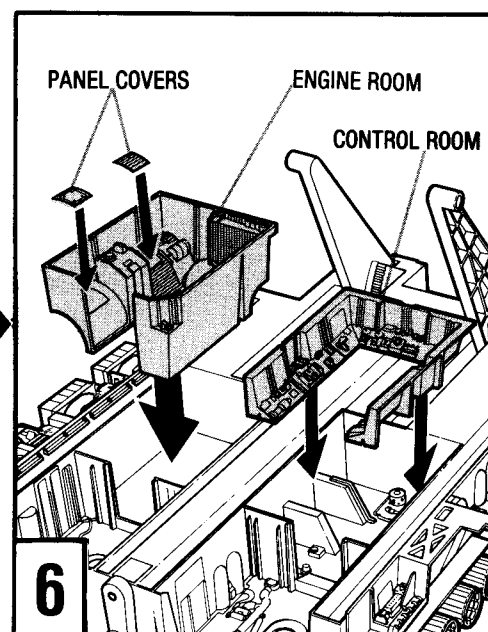
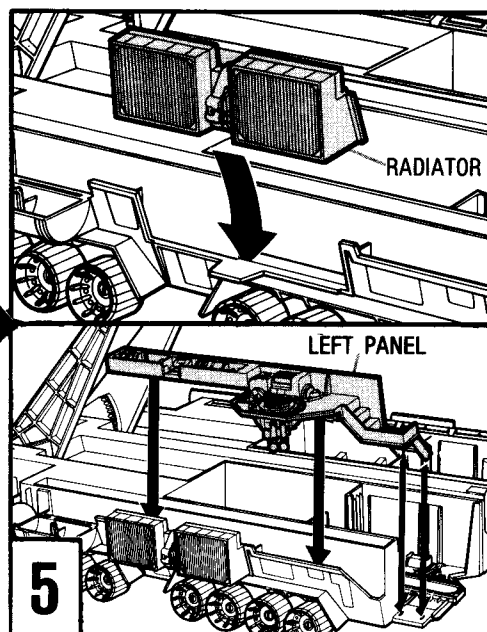
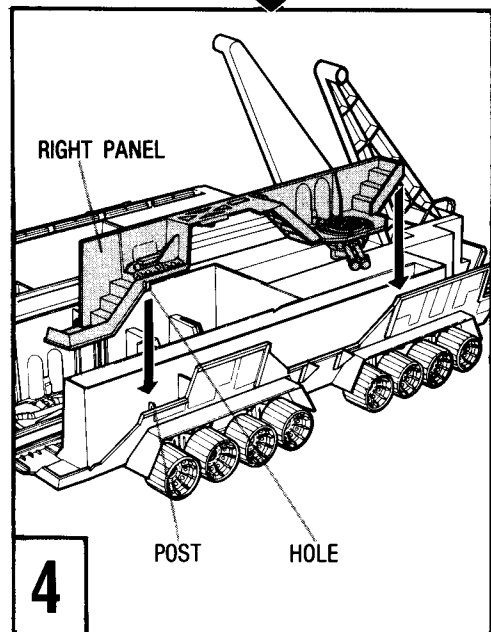
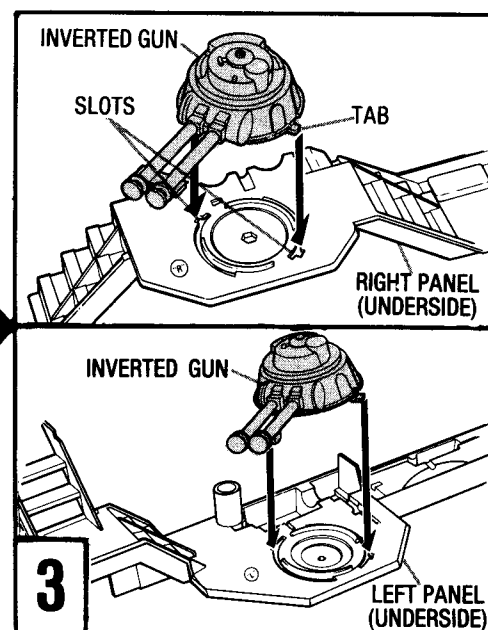
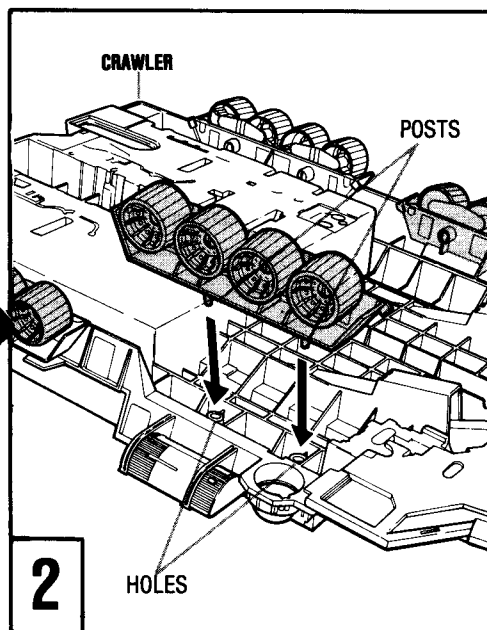
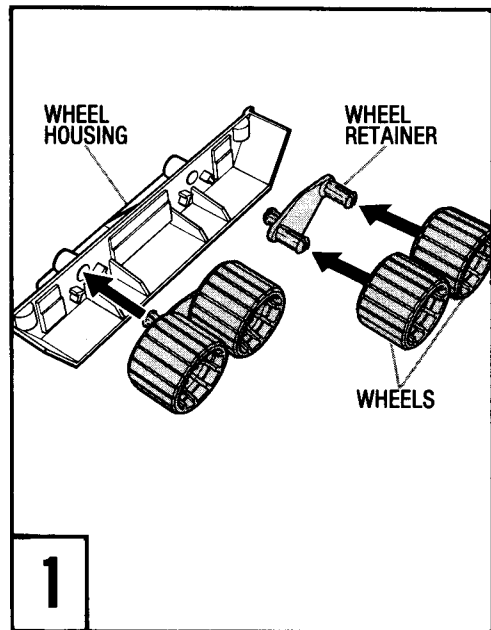


INSTRUCTION SHEET #1 CRAWLER/GANTRY

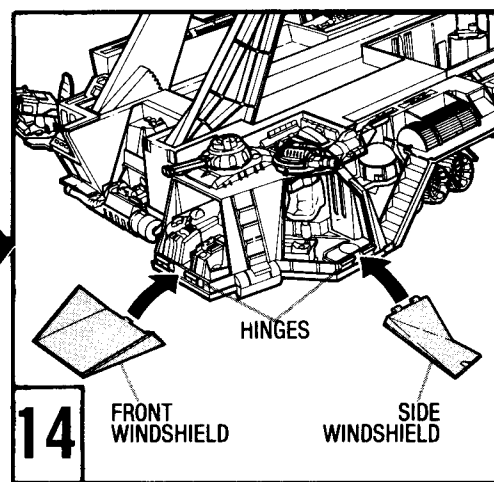
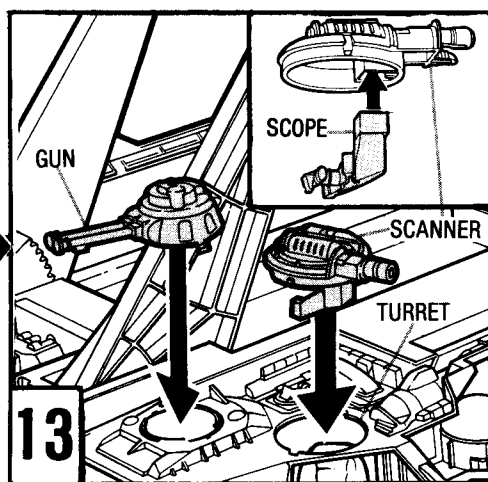
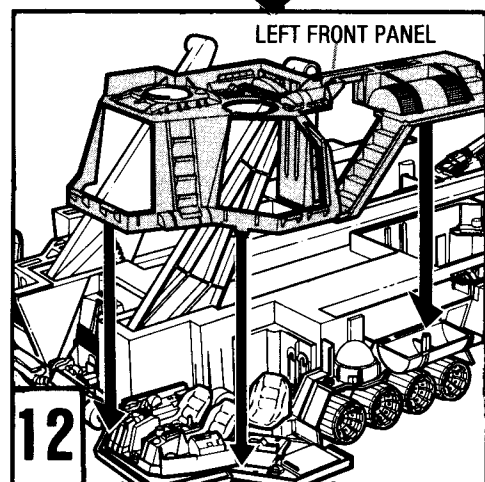
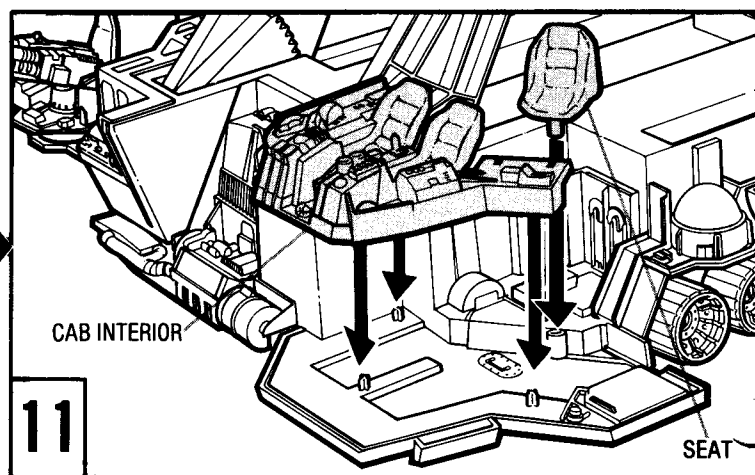
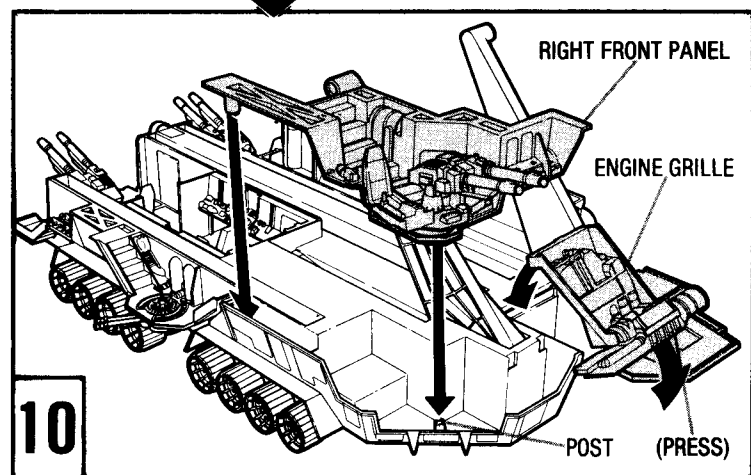
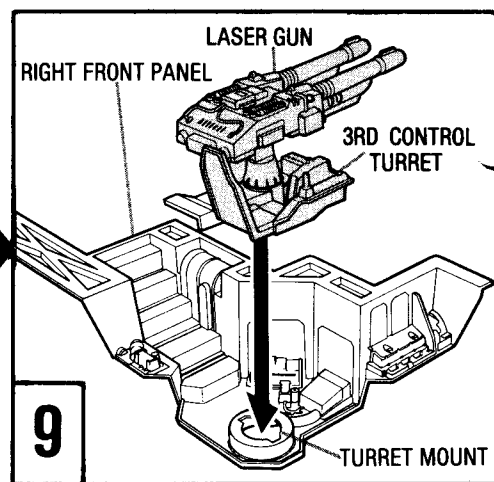
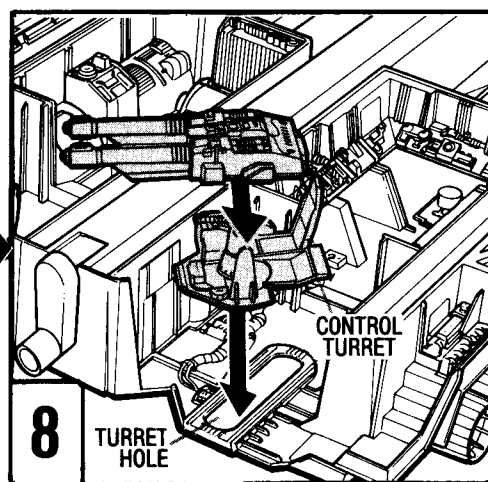
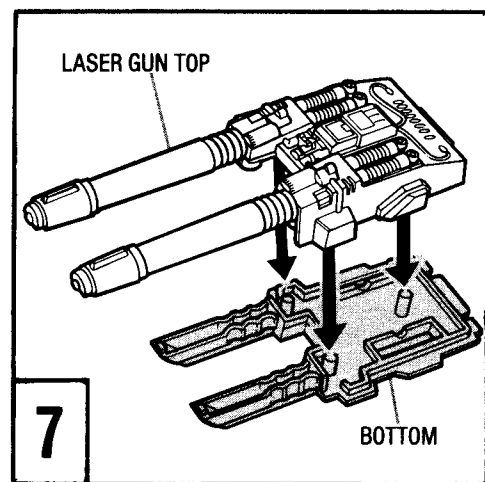
NOTE: READ ALL INSTRUCTIONS FIRST BEFORE ASSEMBLING.

CRAWLER



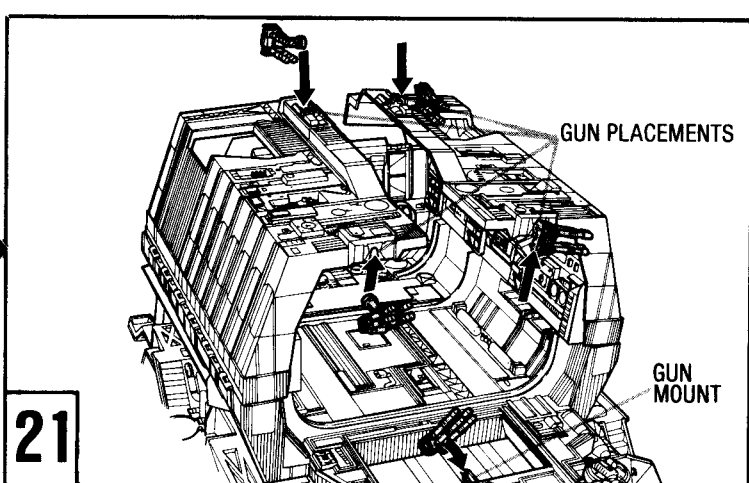
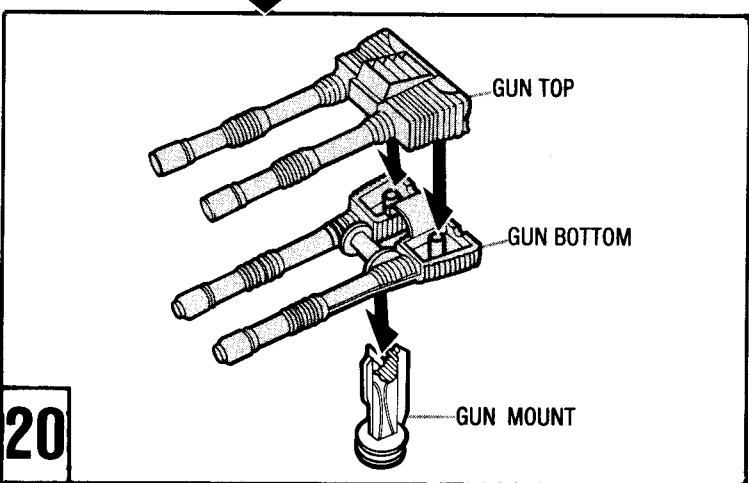
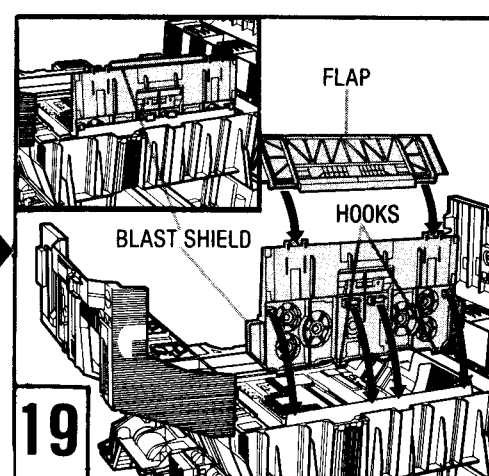
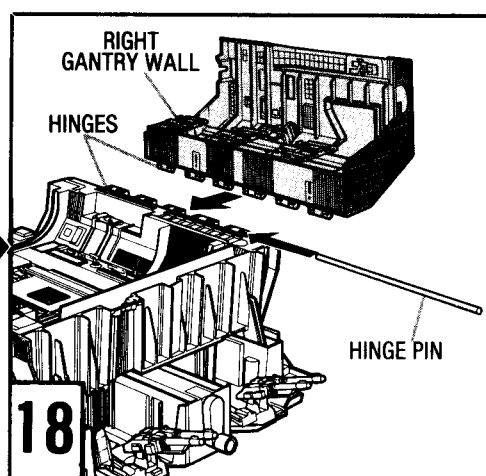
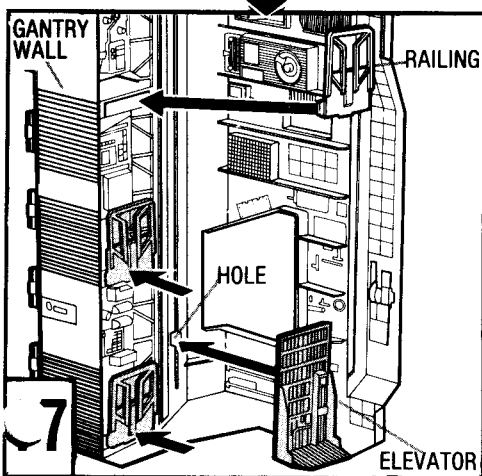
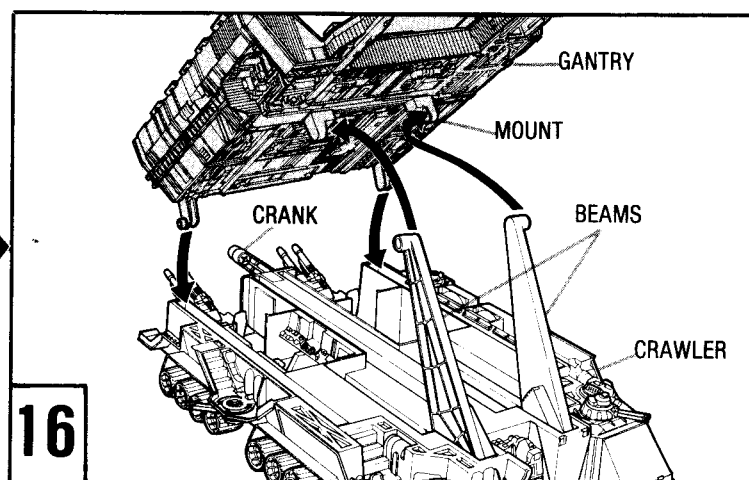
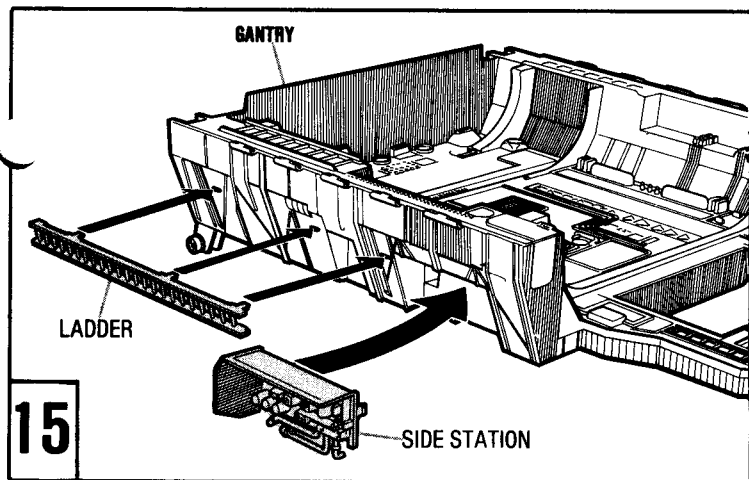
- 1** Snap WHEELS onto WHEEL RETAINERS. Snap retainers into WHEEL HOUSINGS. Repeat with 3 other WHEEL HOUSINGS.
- 2** Push posts on 4 assembled wheel housings into holes underneath CRAWLER.
- 3** Fit one tab of INVERTED GUN into slot in underside of RIGHT PANEL (marked "R"). Snap other tab through slot. Repeat with other INVERTED GUN and LEFT PANEL (marked "L"). (UNDERSIDE)
- 4** Fit hole in right panel over post on right side of Crawler.
- 5** Slide RADIATOR over left side of Crawler. Fit left panel onto left side of Crawler.
- 6** Slide ENGINE ROOM and CONTROL ROOM into Crawler compartments. Snap PANEL COVERS into engine area.

CRAWLER Cont'd.



- 7 Fit 3 LASER GUN TOPS and BOTTOMS together.
- 8 Snap guns onto 3 CONTROL TURRETS. Fit 2 control turrets sideways into holes in rear of Crawler. Turn turrets to face rear.
- 9 Fit 3rd control turret into mount in RIGHT FRONT PANEL.
- 10 Fit holes in RIGHT FRONT PANEL over posts near front of Crawler. Fit ENGINE GRILLE over front of Crawler. Press bottom to fit securely.
- 11 Fit 3 holes in CAB INTERIOR over 3 posts in cab area. Fit SEAT into seat stand.
- 12 Fit tabs on LEFT FRONT PANEL into slots in cab floor. (Make sure entire rim of panel and rear post are secure.)
- 13 Fit SCOPE into SCANNER. SEE INSET. Fit scanner into turret opening directly above seat in Left Front Panel. Fit gun into other turret opening.
- 14 Snap tabs on FRONT and SIDE WINDSHIELDS over hinges in Left Front Panel. Flip up to close.

GANTRY



- 15** Fit SIDE STATION into opening on right side of Gantry. Fit tabs on LADDER into slots on right side of Gantry.
- 16** Lift GANTRY and place roller wheels into ends of Crawler rollerways. Snap elevating beams into mounts on underside of Gantry. (Raise Gantry for lift-off mode and lower for transport by turning crank.)
- 17** Fit tab on ELEVATOR into hole in elevator shaft in GANTRY WALL. Snap tabs on RAILINGS into 3 work station floors. Repeat with other Gantry wall. (Elevator slides up and down for servicing Defiant and Booster.)
- 18** Align hinges on RIGHT GANTRY WALL with hinges on Gantry. From rear of Gantry, slide HINGE PIN through hinges. (Make sure pin is secured.) Repeat with LEFT GANTRY WALL and PIN.
- 19** Fit 4 hooks on back of BLAST SHIELD over edge of rear Gantry wall. SEE INSET. Snap bottom tabs into slots in Gantry floor. Snap BLAST SHIELD FLAP into tabs on blast shield.
- 20** Attach GUN TOP to GUN BOTTOM. Snap gun to MOUNT.
- 21** Snap 4 gun assemblies to GUN PLACEMENTS in Gantry walls. Snap remaining gun to GUN MOUNT.

DEFIANT: CRAWLER AND GANTRY

- 1) DEFIANT VEHICLE RUDDER GANTRY SLOT
- 2) "SURGE" DUAL REPEATING SELF-GENERATED LASER CANNONS
- 3) PIVOTING WELDED PLATE STEEL GANTRY DOOR
- 4) SERVO-OPERATED GANTRY DOOR HINGE
- 5) BLAST DEFLECTOR/EXHAUST SHIELD
- 6) EXTRA-PLATED SUPER-TRACTION BOGEYS
- 7) 1000-KILOWATT GENERATOR/TRACTION MOTOR
- 8) "PLOUGH-BOW" 2750 HP/2050 KILOWATT DIESEL ENGINE
- 9) DEFIANT VEHICLE
- 10) "COUNTDOWN" AUTO-LOAD AUTO-FIRE SURFACE CLEARING LASER CANNONS
- 11) BLAST SHIELD REINFORCEMENT PLATING
- 12) PERSONNEL STAGING PLATFORM
- 13) "PROTECTOR" FORWARD-FACING PULSE-ACTIVATED LASER CANNONS
- 14) LAYERED TEMPERED ALUM-SILICATE BLAST PROOF WINDSHIELD
- 15) CRAWLER CONTROL/OPERATIONS CABIN
- 16) LAUNCH CONTROL CENTER/ELECTRONIC CONTROL UNIT (ECU)
- 17) LAUNCH CONTROL OPERATED SURFACE PROTECTION 7.62 MM MACHINE GUN
- 18) LAUNCH CONTROL COMPUTER/NAVIGATIONS AND GUIDANCE SYSTEM
- 19) BOOSTER/SPACE STATION
- 20) GANTRY OPERATIONS LIFT COMPUTER/SERVO SYSTEM

