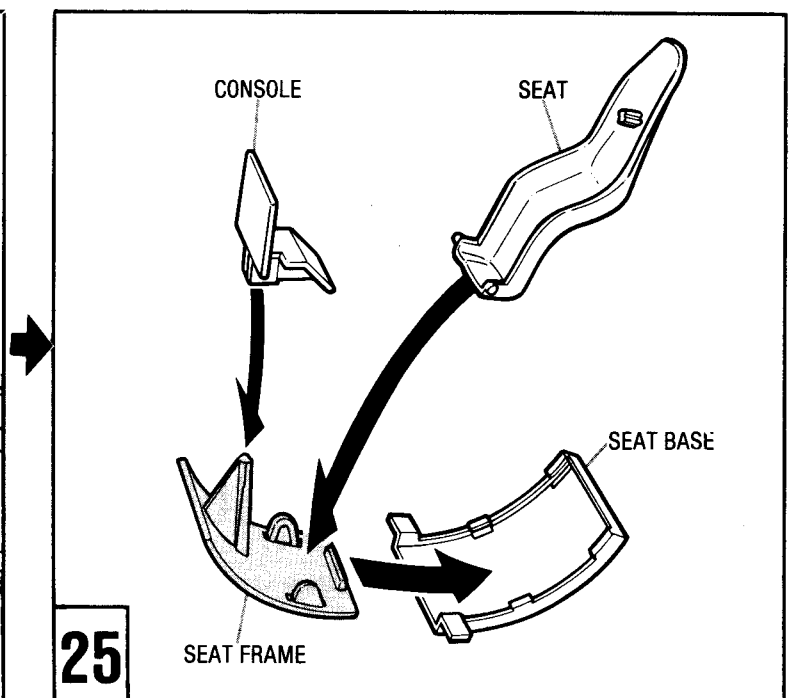
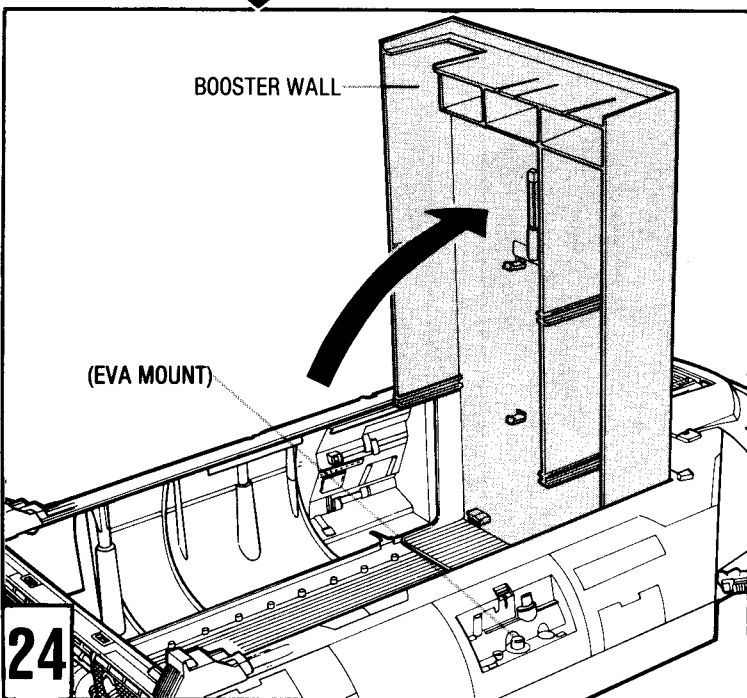
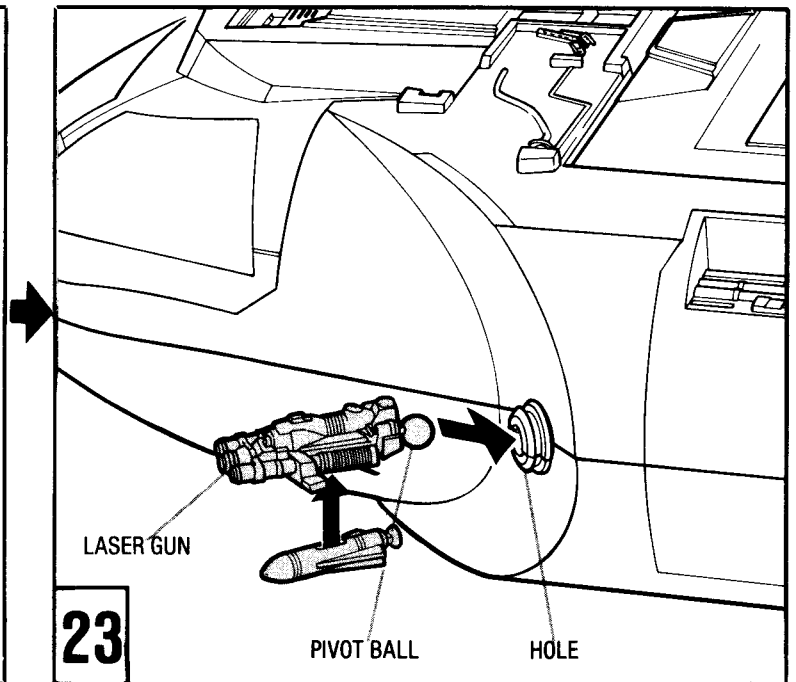
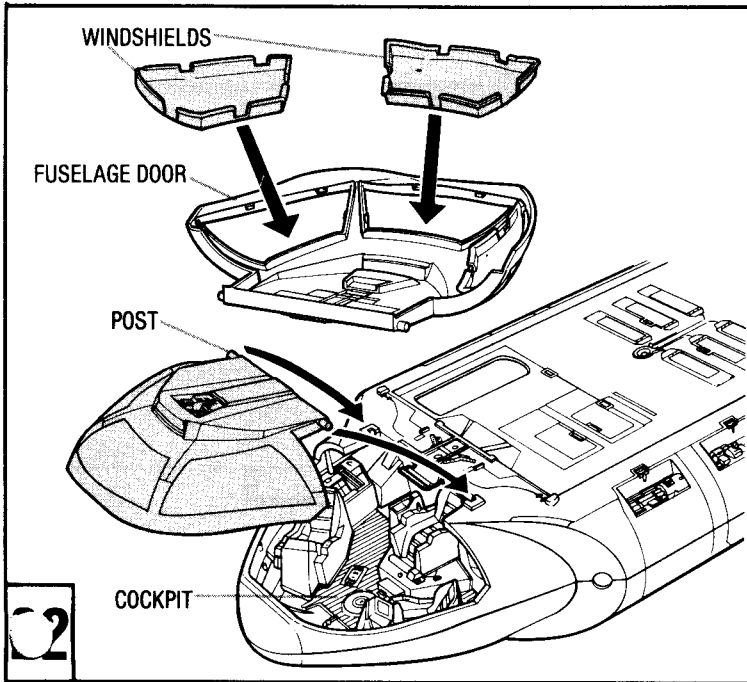


INSTRUCTION SHEET #2 BOOSTER

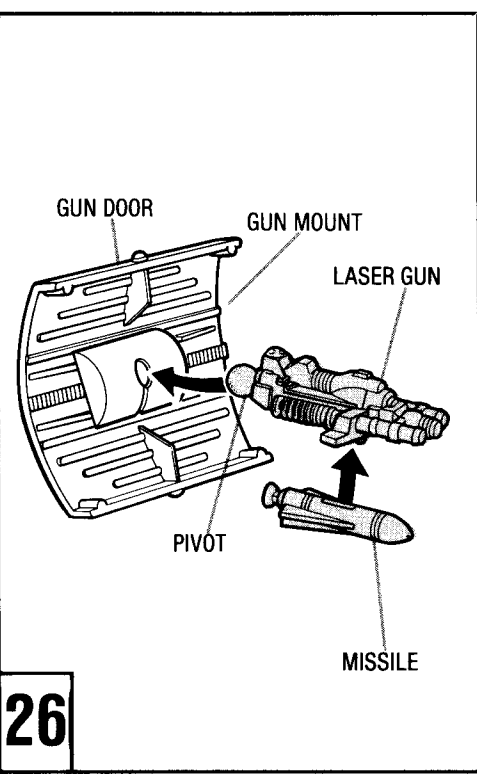


22 From underside of FUSELAGE DOOR, snap WINDSHIELDS into openings. Fit one post on door into hole in cockpit. Snap other post into place.

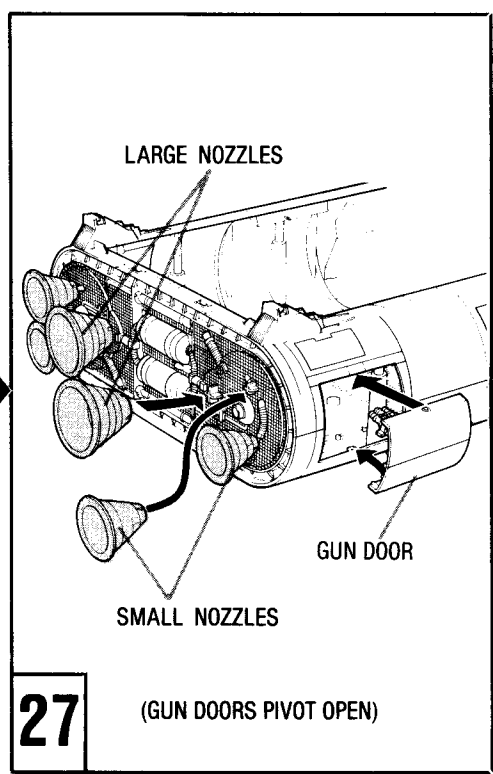
23 Press pivot ball on LASER GUN into hole in side of Booster cockpit. Fit MISSILE onto laser gun. Repeat with 2nd LASER GUN on other side of Booster.

24 Lift Booster wall and stand upright.

25 Snap SEAT into ADJUSTABLE SEAT FRAME notches. Fit CONSOLE onto mount. Slide bottom of adjustable seat frame into ADJUSTABLE SEAT BASE. Repeat with 2nd ADJUSTABLE SEAT.

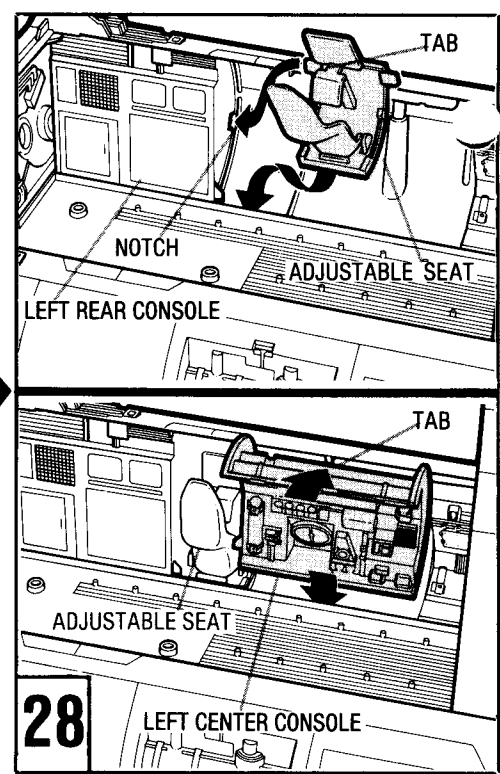


26

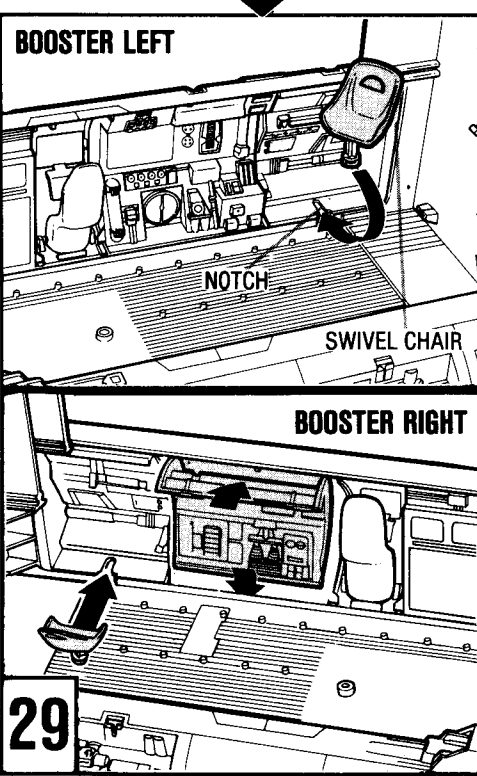


27

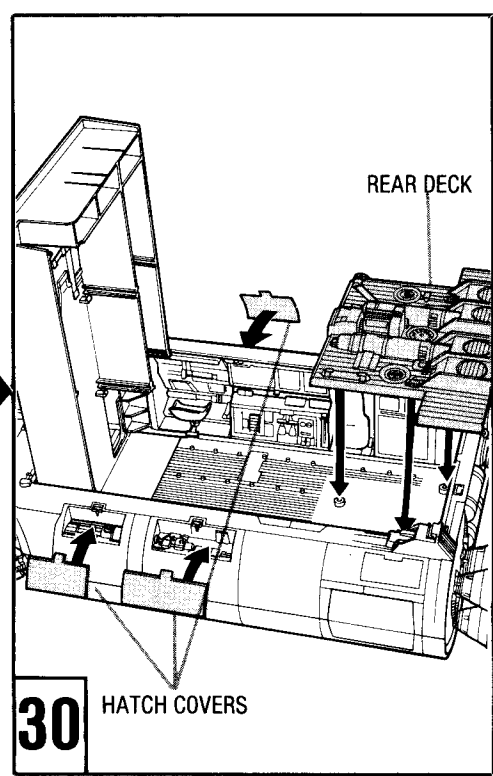
(GUN DOORS PIVOT OPEN)



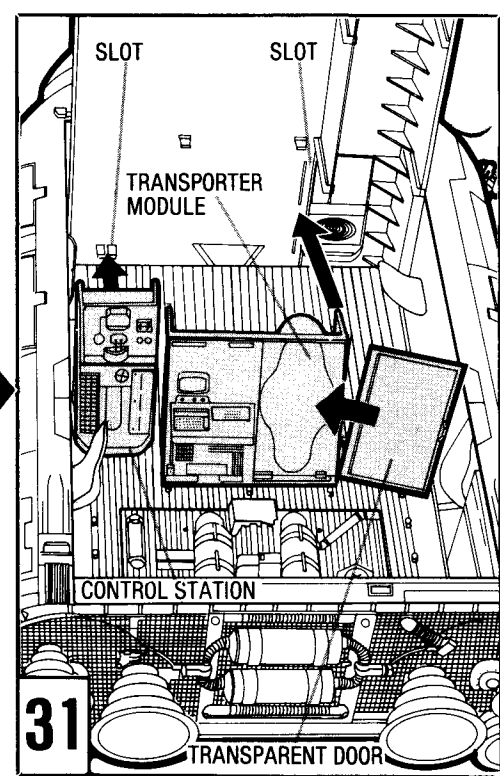
28



29



30



31

26 Press pivot ball on LASER GUN into hole in back side of GUN DOOR. Fit MISSILE onto laser gun. Repeat with 2nd LASER GUN and GUN DOOR.

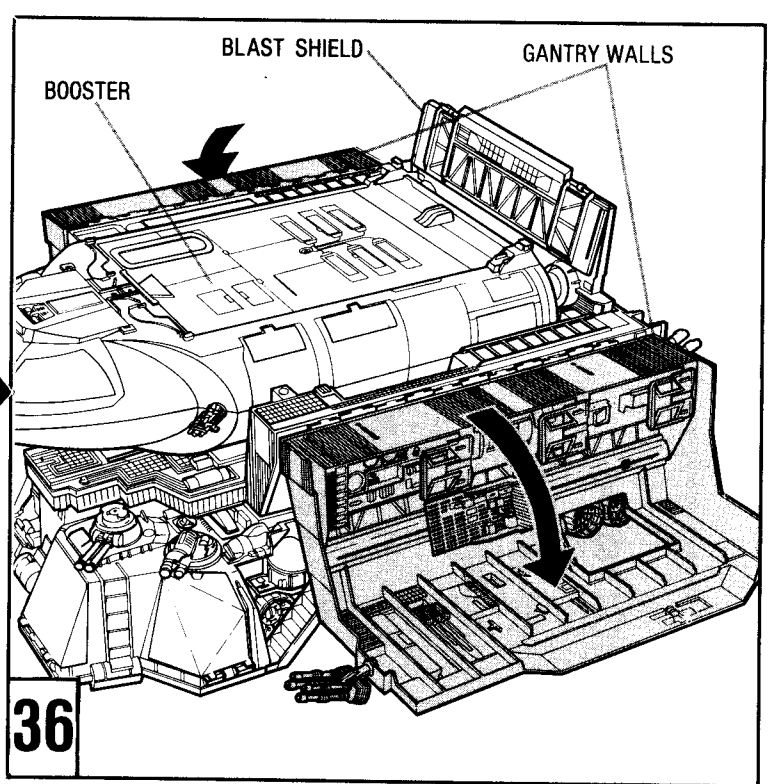
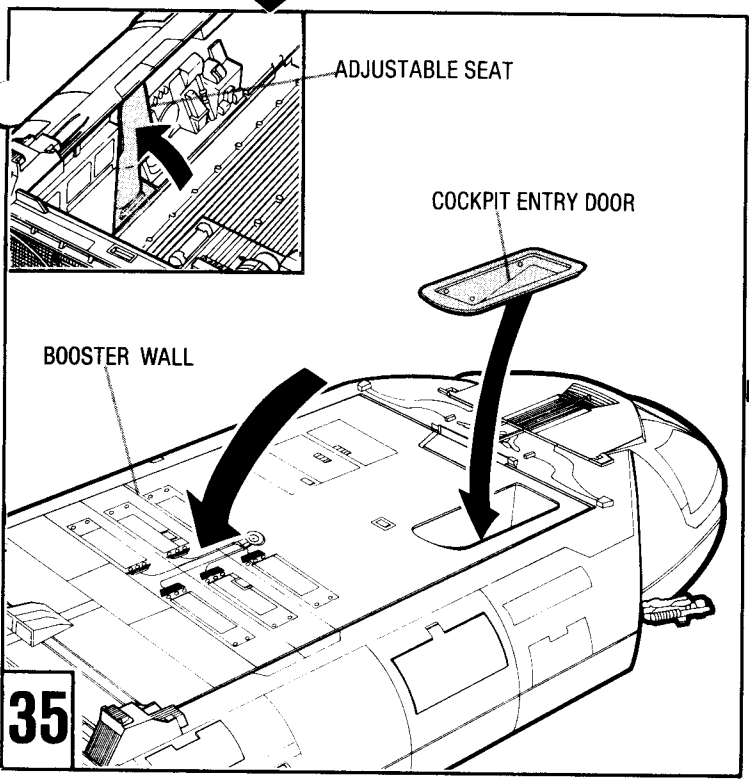
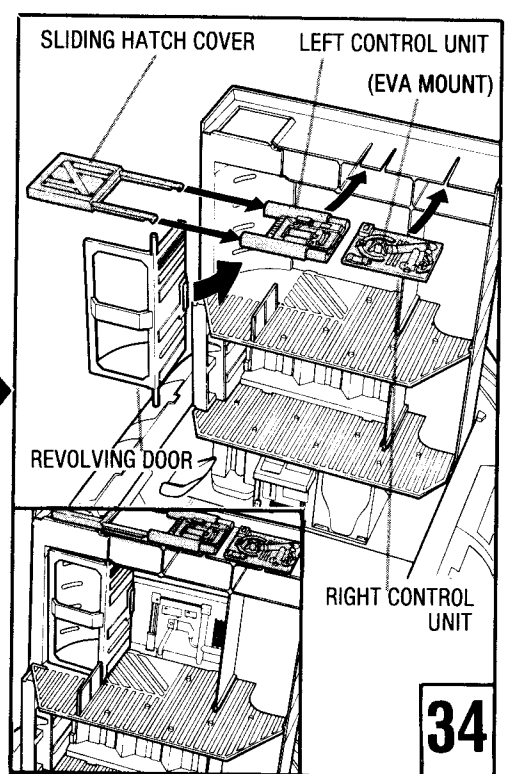
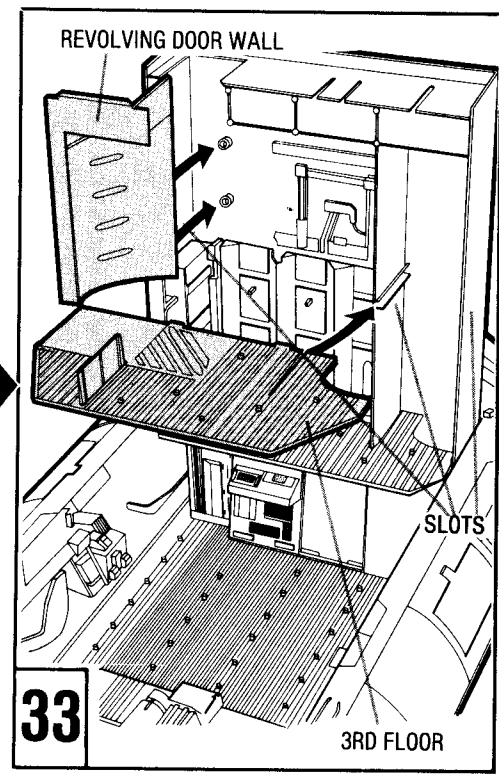
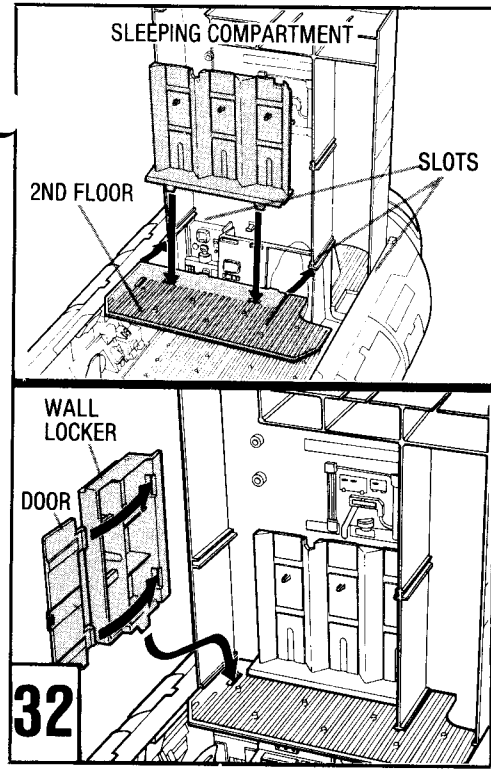
27 Fit 2 LARGE and 4 SMALL NOZZLES onto rear of Booster. Fit top post on GUN DOOR into hole in gun door opening. Fit bottom post into place. Repeat with 2nd GUN DOOR. Gun door pivots open to expose laser guns.

28 On left side of Booster, fit tab on adjustable seat into notch in LEFT REAR CONSOLE and repeat for right side of Booster. Fit bottom of LEFT CONSOLE (marked "LEFT CENTER") into compartment next to seat. SNAP TOP OF CONSOLE UNDERNEATH TAB.

29 Slide SWIVEL CHAIR into front control station. Repeat STEP 28 with right side of Booster. RIGHT CONSOLE is marked "RIGHT CENTER".

30 Fit REAR DECK posts into holes in floor. Snap 3 HATCH COVERS onto outer service hatches.

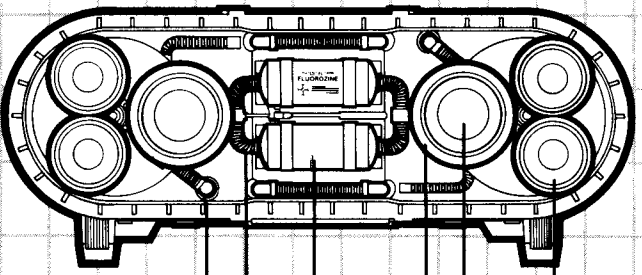
31 Slide tab on CONTROL STATION into slot on lower floor. Flex TRANSPARENT DOOR slightly and slide into slots on TRANSPORTER MODULE. Fit side of transporter module into slot.



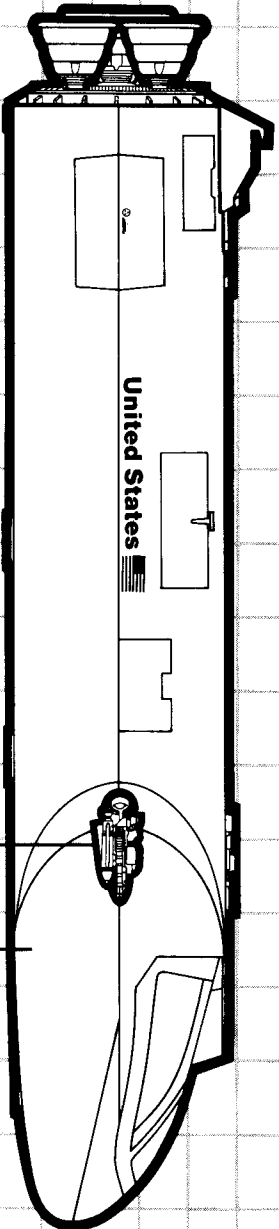
- 32** Slide 2ND FLOOR into slots and snap into wall. Fit SLEEPING COMPARTMENT tabs into holes in floor. Fit WALL LOCKER DOOR onto WALL LOCKER. Fit tab on locker into slot in 2nd floor.
- 33** Slide 3RD FLOOR into slots and snap into wall. Fit post on REVOLVING DOOR WALL into holes in 3rd floor wall.
- Press posts on REVOLVING DOOR into holes in floor and wall. Slide LEFT and RIGHT CONTROL UNITS into slots on top floor. Fit SLIDING HATCH COVER into left control unit. (See INSET for assembled 3rd floor.)
- 35** Before closing Booster wall, snap adjustable seats under tabs. SEE INSET. Lift Booster wall up and close Booster. Fit COCKPIT ENTRY DOOR into opening.
- 36** Open Gantry walls. Lift entire BOOSTER and place Booster nozzles on blast shield in Gantry.

DEFIANT: BOOSTER

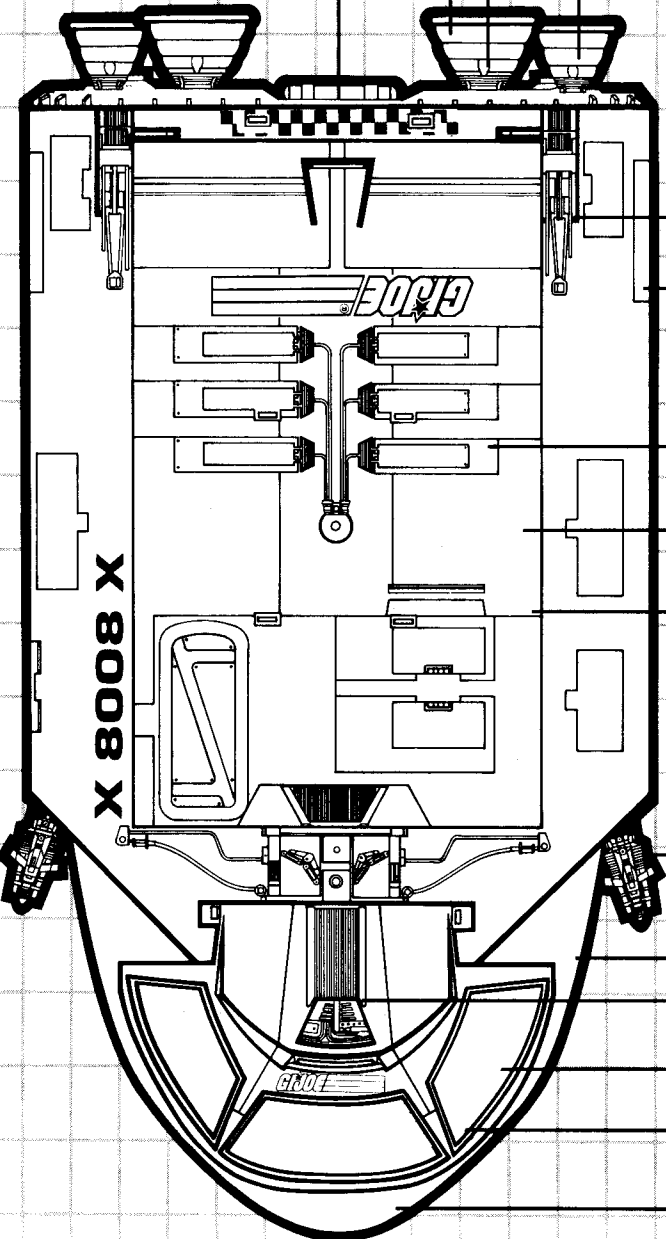
- 1) PRIMARY REACTION CONTROL THRUSTERS
- 2) LIQUID OXYGEN/HYDROGEN MAIN PROPULSION ENGINES
- 3) MAIN ENGINE THRUST NOZZLE
- 4) HOT-GAS MANIFOLD/PRESSURIZER
- 5) MAIN INJECTOR/HIGH-PRESSURE TURBOPUMP
- 6) MAIN COMBUSTION VALVE/FLOW TUBE
- 7) PULSE-FIRE LASER CANNON CONTROL SYSTEM
- 8) REARWARD ROTATING AUTO-FOCUS LASER CANNON
- 9) HEAT-ABSORBING RADIATORS
- 10) 65,000 LB. CAPACITY PAYLOAD/OPERATIONS AREA
- 11) ALUMINUM/HONEYCOMB PAYLOAD BAY DOOR
- 12) FORWARD ROTATING TARGET-LOCK LASER CANNONS
- 13) HIGH-TEMP CERAMIC LEADING EDGE TILES
- 14) CANOPY ROTATION CONTROL SYSTEM
- 15) MULTI-LAYER TEMPERED ALUM-SILICATE WINDSHIELD GLASS
- 16) TACTICAL AIR NAVIGATION (TACAN)/GUIDANCE SYSTEMS
- 17) REINFORCED TEMP-PROTECTED AVIONICS CAP



(1)
(2)
(3)
(4)
(5)
(6)



(7) (8) (9) (10) (11) (12) (13) (14) (15) (16) (17)



X 8008 X