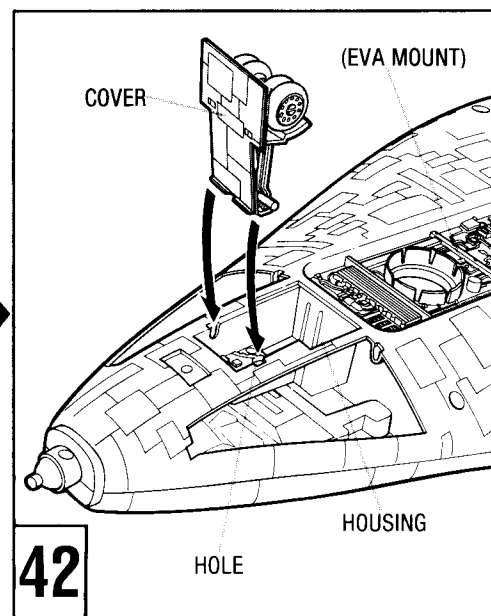
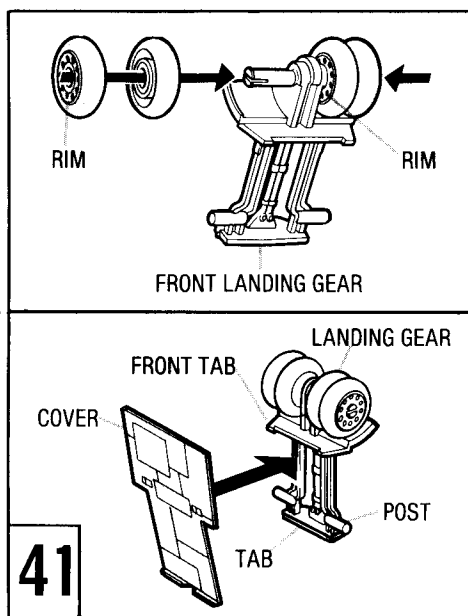
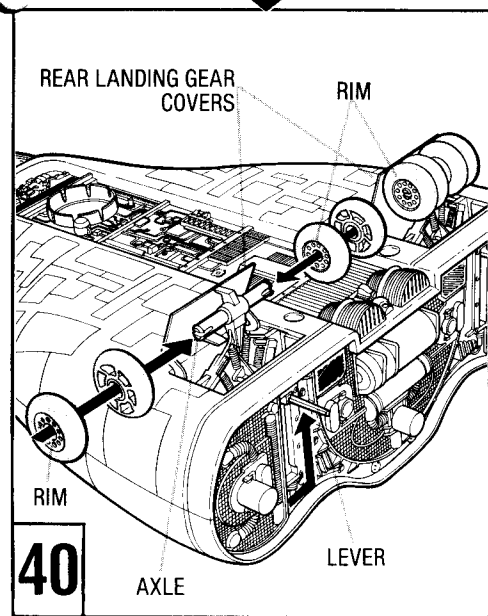
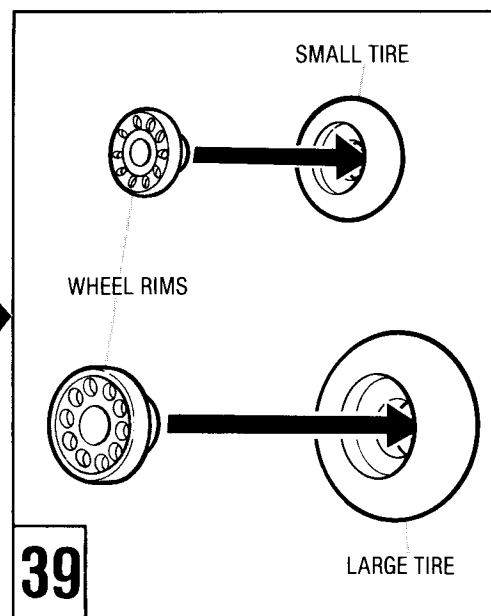
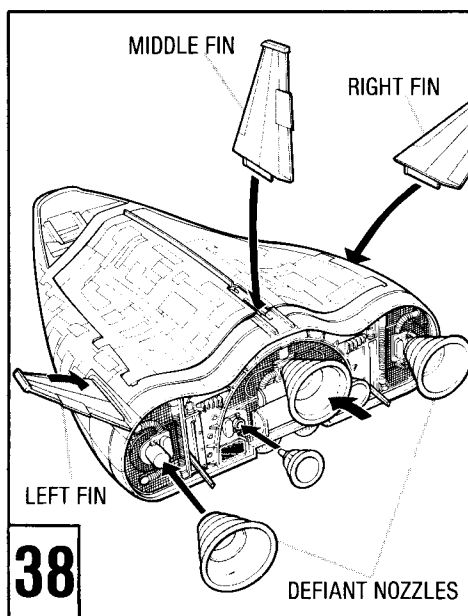
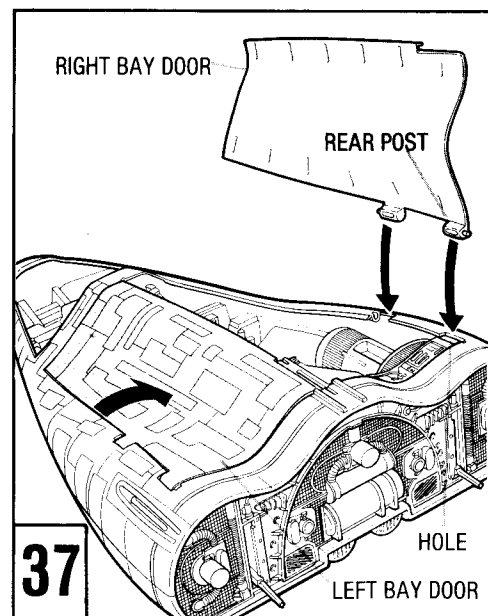


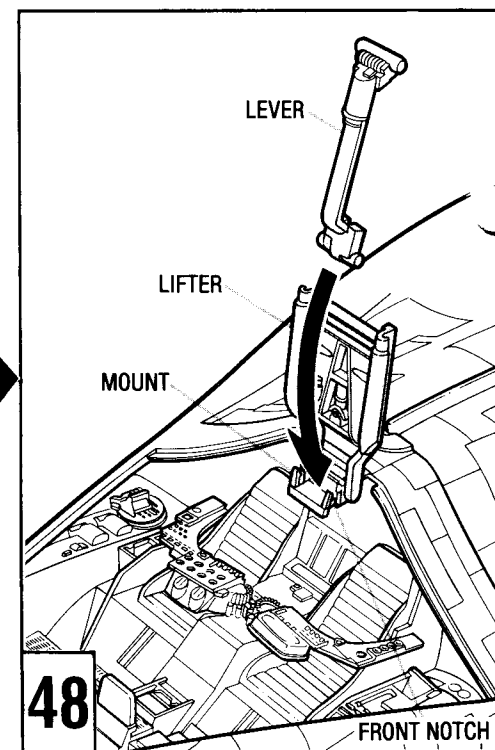
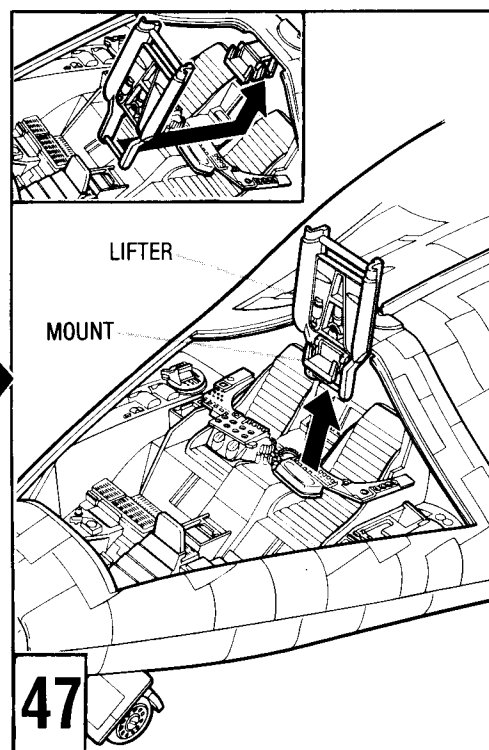
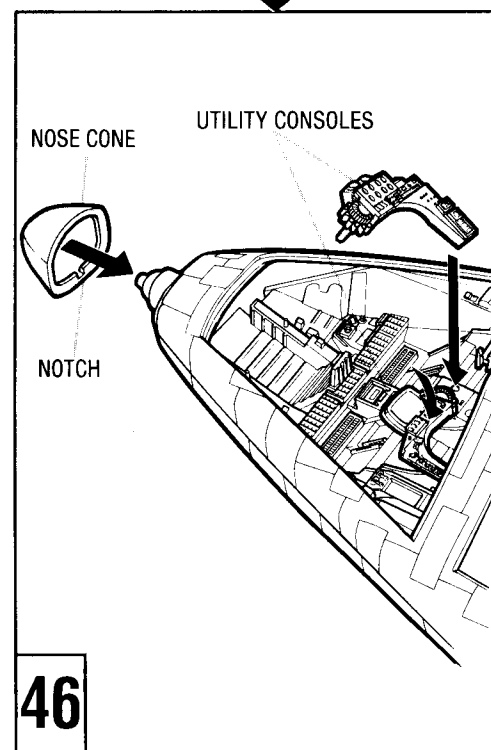
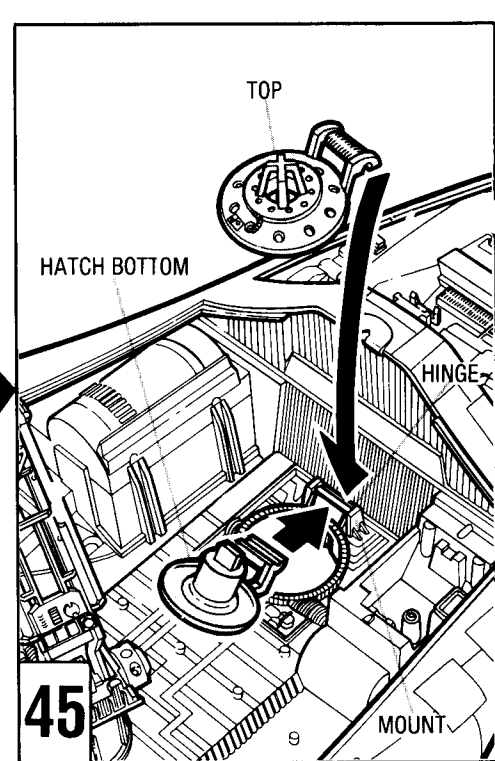
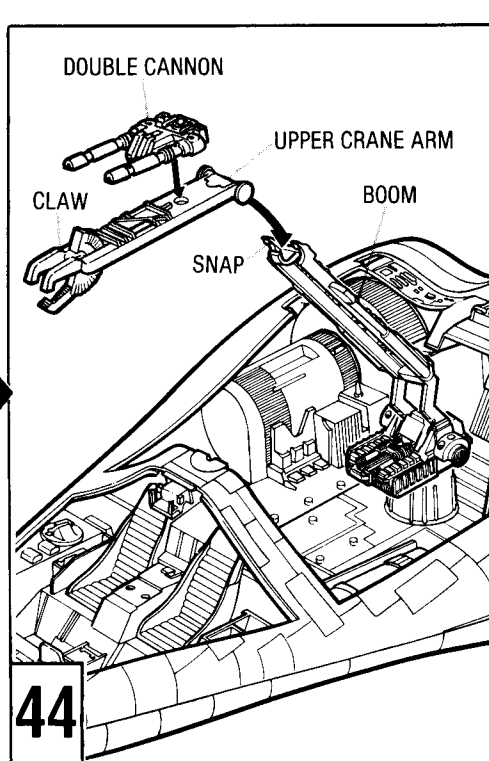
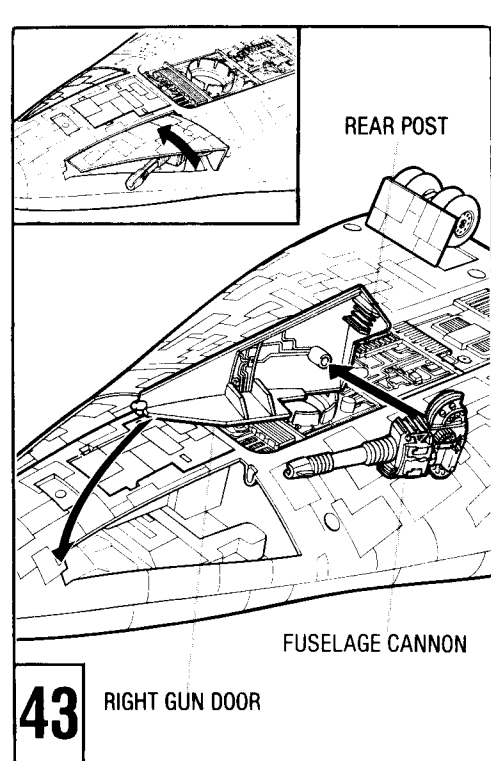
1002

INSTRUCTION SHEET #3

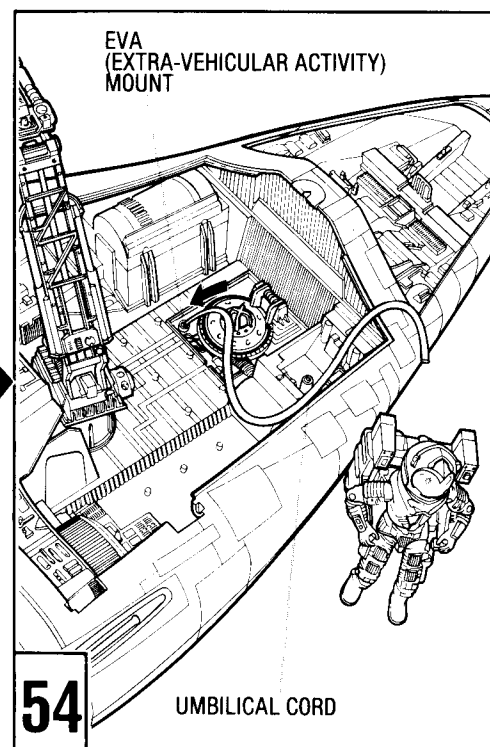
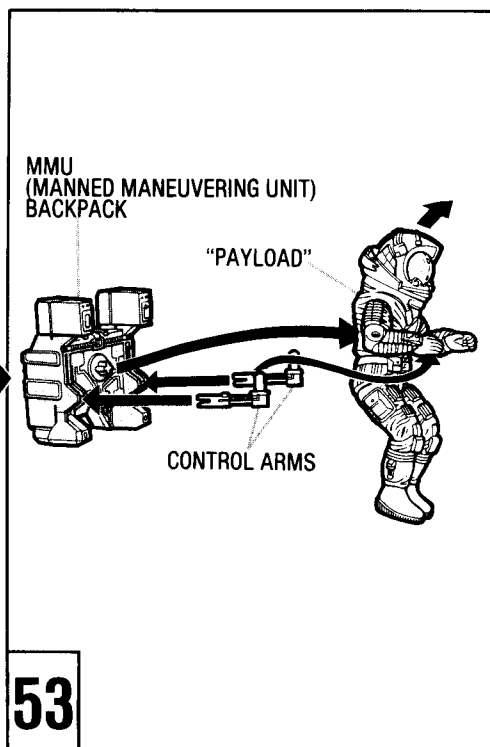
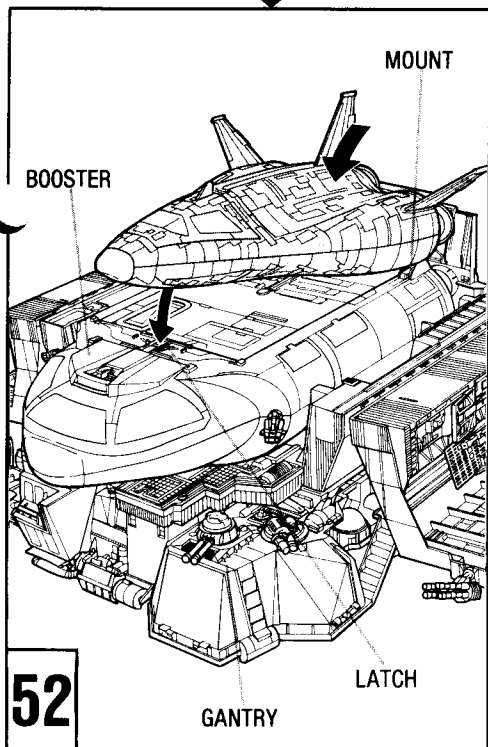
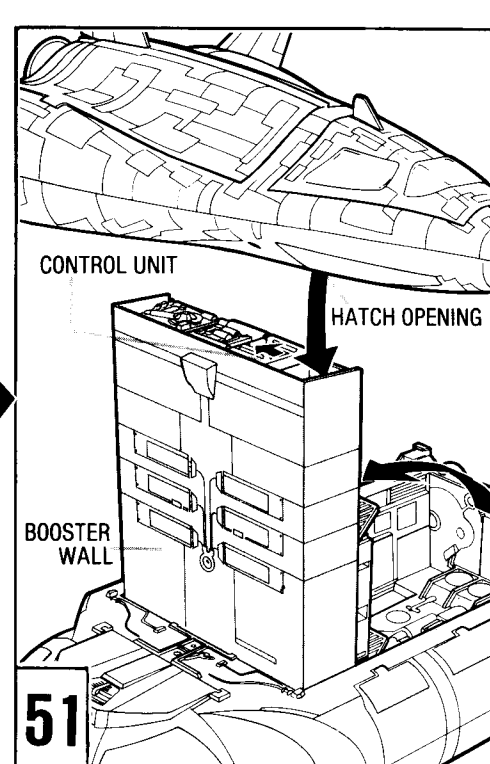
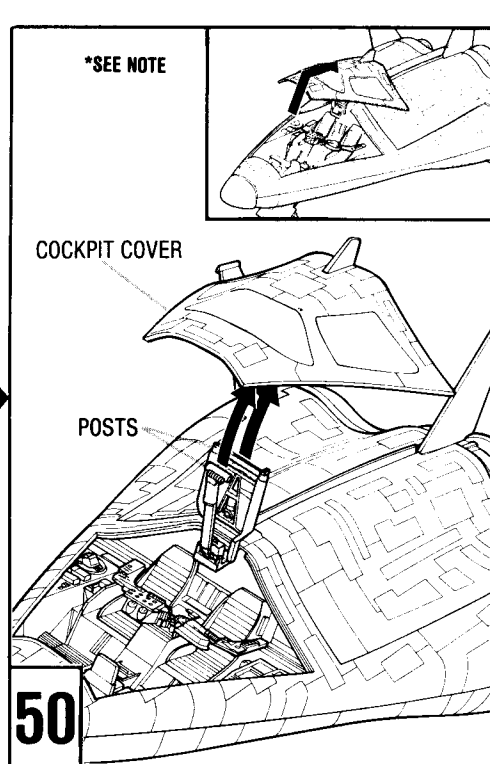
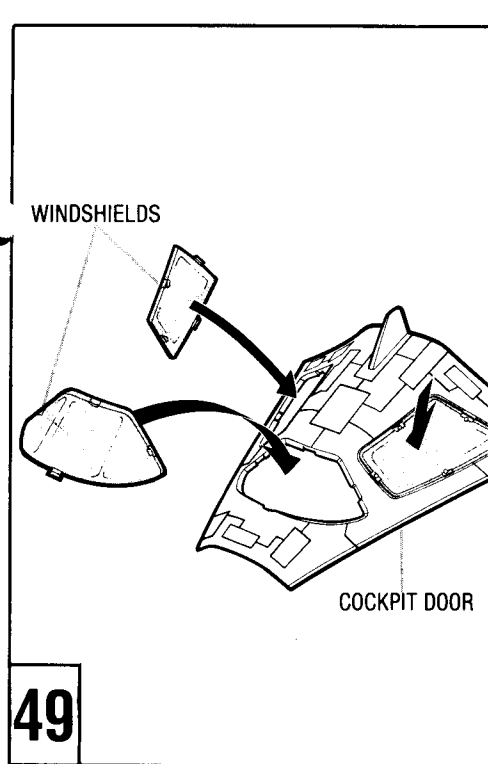
DEFIANT: SPACE VEHICLE



- 37.** Fit rear post on LEFT BAY DOOR into hole in rear of Defiant. Snap front post into place. Repeat with RIGHT BAY DOOR and snap closed.
- 38.** Press 3 LARGE and 2 SMALL NOZZLES onto rear of Defiant. Fit LEFT, RIGHT and MIDDLE FINs into slots in Defiant.
- 39.** Press WHEEL RIMS into 8 LARGE TIRES and 4 SMALL TIRES.
- 40.** Flip Defiant upside down. Slide levers over and up to open rear landing gear covers. Press 2 LARGE WHEELS over landing gear axle, **making sure RIMS FACE OUTWARD ON EACH SIDE.** Repeat with remaining LARGE WHEELS and rear axles.
- 41.** Press 4 SMALL WHEELS over FRONT LANDING GEAR axle, making sure rims face outward on all 4 wheels. Fit tab on LANDING GEAR COVER into landing gear opening. Snap 2 front tabs into place.
- 42.** Fit post on front landing gear into one hole in gear housing. Snap other post into place.



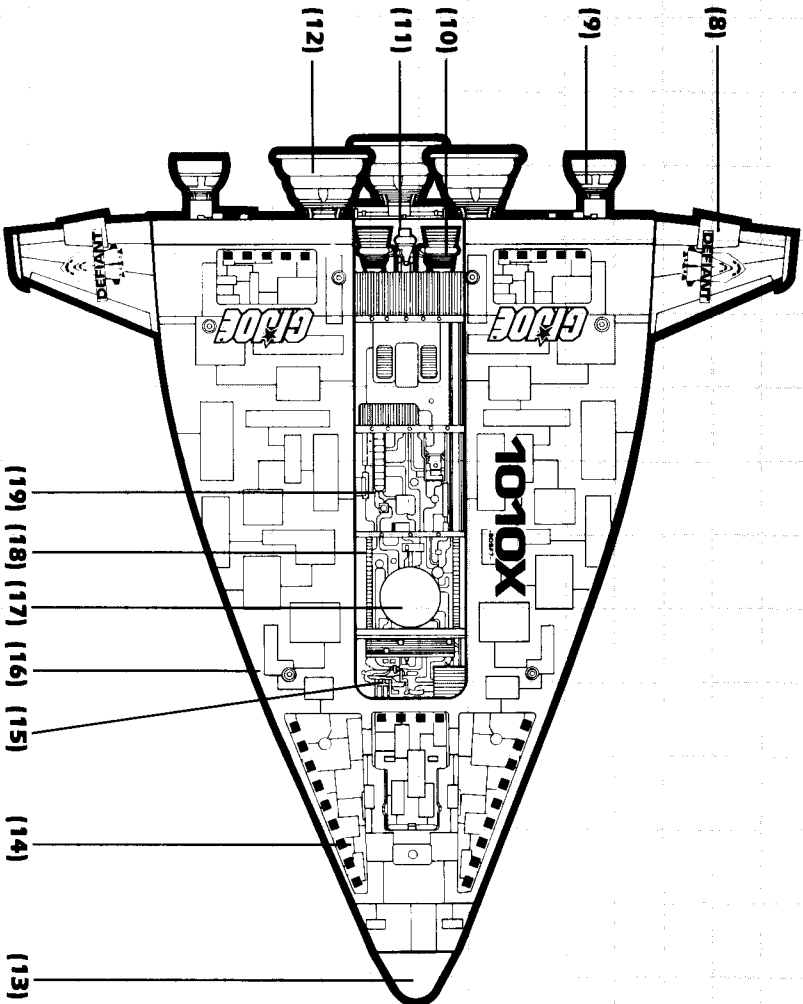
- 43** Press posts on 2 FUSELAGE CANNONS into holes in LEFT and RIGHT GUN DOORS. Fit rear post on right gun door into hole in rear of fuselage. Snap front post into place. Repeat with left gun door. (Press inside of gun door and pivot guns. SEE INSET.)
- 44** Flip Defiant right side up. Snap hinge on UPPER CRANE ARM into snap on BOOM. Press DOUBLE CANNON onto upper crane arm. (Open and close ratcheting claw to retrieve payloads!)
- 45** Fit hinge on HATCH BOTTOM underneath hatch mount. Snap HATCH TOP over mount.
- 46** Fit posts on LEFT and RIGHT UTILITY CONSOLES into holes in cockpit console. (Make sure utility consoles ratchet open evenly.) With notch facing down, press NOSE CONE over nose of Defiant.
- 47** Place opening in cockpit door LIFTER **over** mount in cockpit. Pull lifter upwards to snap into place.
- 48** Snap bottom of cockpit door LEVER into front notches of mount.



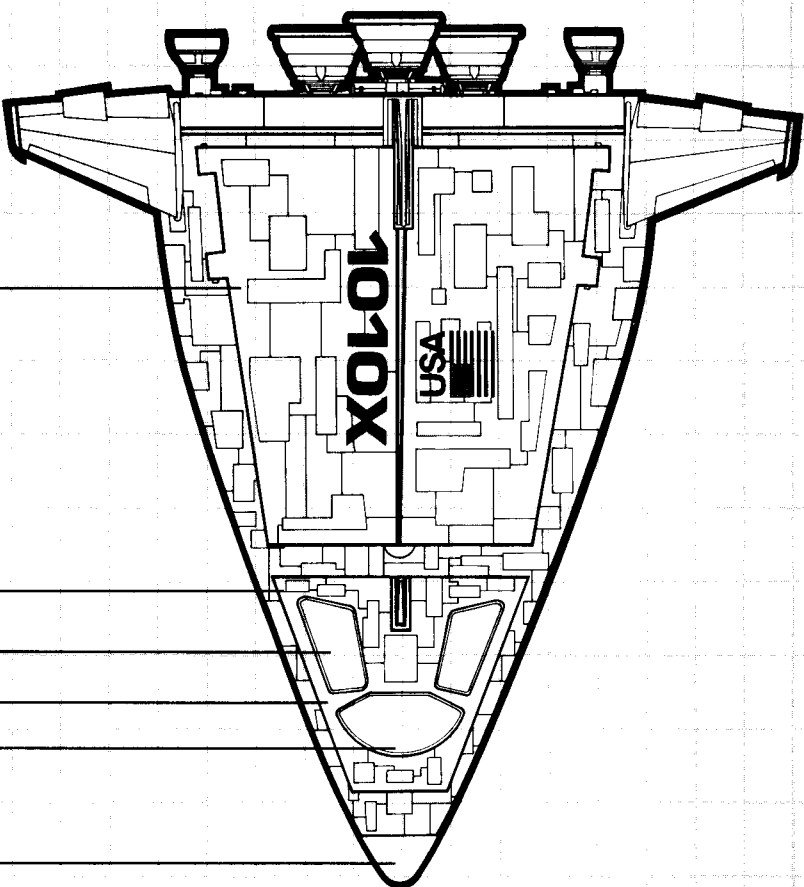
- 49** From outside of cockpit door, snap 3 WINDSHIELDS into tabs in door.
- 50** Snap notches on underside of COCKPIT COVER onto lifter and lever posts. (Cockpit lifts up, then pivots backward. SEE INSET.)
- *NOTE: MAKE SURE LIFTER ARM AND LEVER ARE IN CORRECT POSITION. REFER TO STEPS 47 and 48.**
- 51** Lift Booster wall and stand upright. Slide open control unit on Booster wall. Place Defiant on top of wall so hatch opening aligns with control unit opening.
- 52.** To ready Defiant for launch: Close Booster wall and place Booster into Gantry. Fit rear of Defiant under mounts on Booster and snap front of Defiant onto latch on Booster.
- 53.** With backpack control handles facing upward, fit CONTROL ARMS onto backpack. Attach backpack to astronaut PAYLOAD and place his hands onto control handles. Payload's pressurized helmet is removable.
- 54.** Fit end of UMBILICAL CORD into EVA MOUNT in Defiant and attach other end to PAYLOAD'S backpack. SEE ILLUS. 24 for 2nd EVA MOUNT location. (Astronaut PAYLOAD™ and Crawler Driver HARDTOP™ figures included).

DEFIANT: SPACE VEHICLE

- 1) PRIMARY AVIONICS BAY
- 2) GUIDANCE/NAVIGATION/CONTROL SYSTEMS
- 3) FORWARD-LIFT COCKPIT CANOPY
- 4) MULTI-LAYER FUSED SILICA GLASS WINDSHIELD
- 5) THREE STATION CREW COCKPIT/OPERATIONS CENTER
- 6) ALUMINUM ALLOY FRAME PAYLOAD BAY DOORS
- 7) VERTICAL STABILIZER/ROTARY SPEED BRAKES
- 8) FOUR-CHANNEL SERVO-OPERATED ELEVON
- 9) PRIMARY REACTION CONTROL THRUSTER
- 10) SECONDARY REACTION CONTROL THRUSTER SYSTEM
- 11) LIQUID-FUEL MAIN PROPULSION ENGINES
- 12) THRUST DIFFUSION NOZZLE
- 13) REINFORCED CARBON-CARBON (RCC) NOSE CAP
- 14) HIGH-TEMP SILICA CERAMIC TILES
- 15) EXTRAVEHICULAR ACTIVITY (EVA) LIFE SUPPORT ATTACHMENT
- 16) DELTA-WING SHAPED FUSELAGE
- 17) EVA AIRLOCK PORT
- 18) AIR DATA SENSOR
- 19) POWER SUPPORT SYSTEM (PSS) LIFE-SUPPORT CONTROL



- (19)
- (18)
- (17)
- (16)
- (15)
- (14)
- (13)



- (17)
- (6)
- (5)
- (4)
- (3)
- (2)
- (11)

