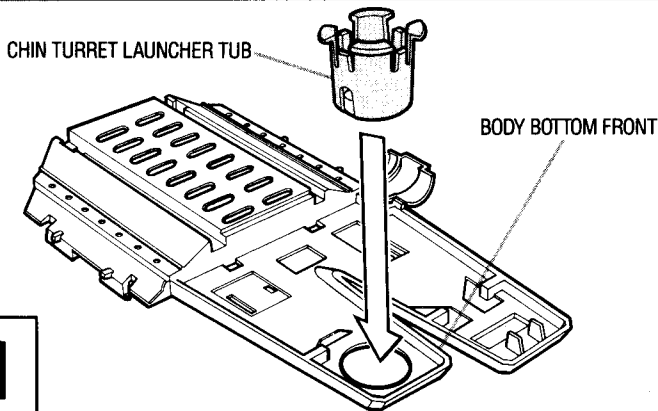


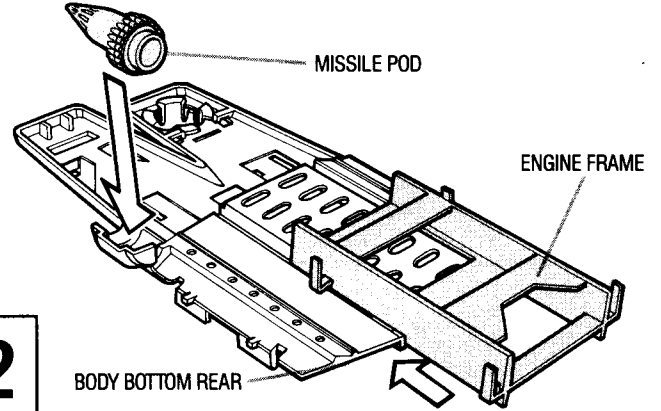
Contents: Body top and bottom, pilot's canopy, gunner's canopy, left and right track treads, 4 wheels, 2 left and right engine pod halves, tail section, chin turret launcher tub, spring action missile launcher counterweight, 2 engine pod guns, rotating missile pod, 2 rotor blades, main rotor housing, 4 missiles, 2 twin-barreled track guns, G.I. Joe folder, label sheet, and blueprints.

CHIN TURRET LAUNCHER TUB INSTALLATION



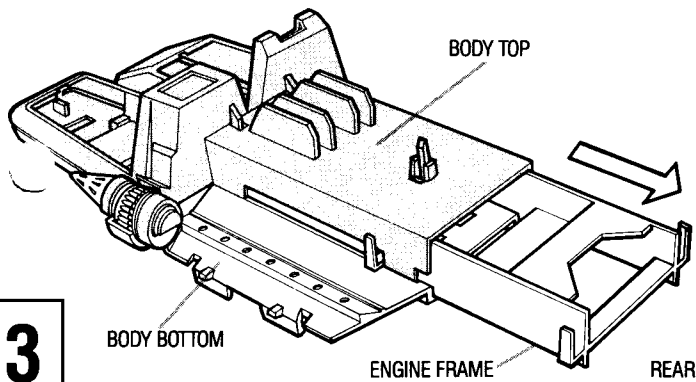
1

MISSILE POD & ENGINE FRAME INSTALLATION



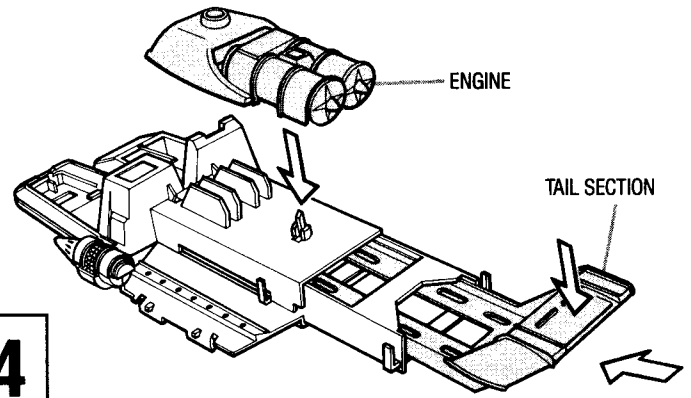
2

BODY ASSEMBLY



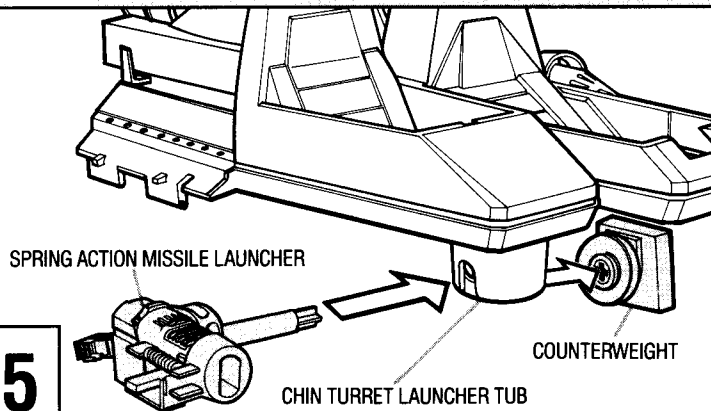
3

TAIL SECTION ASSEMBLY



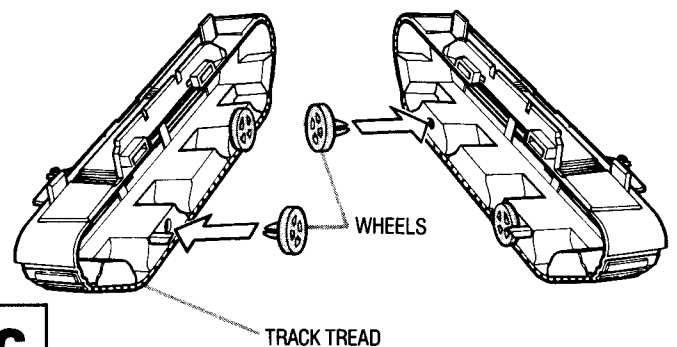
4

SPRING ACTION MISSILE LAUNCHER INSTALLATION



5

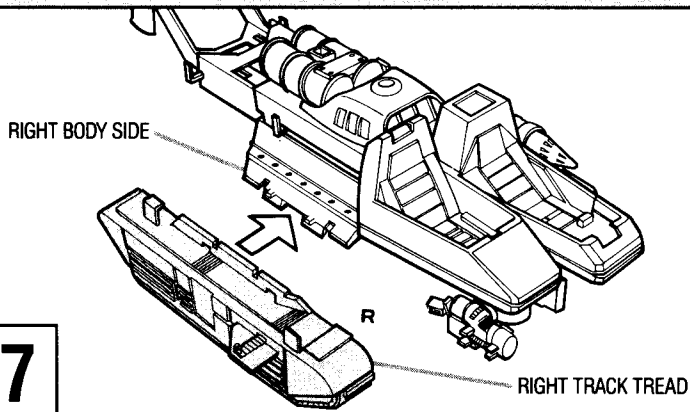
WHEEL ASSEMBLY



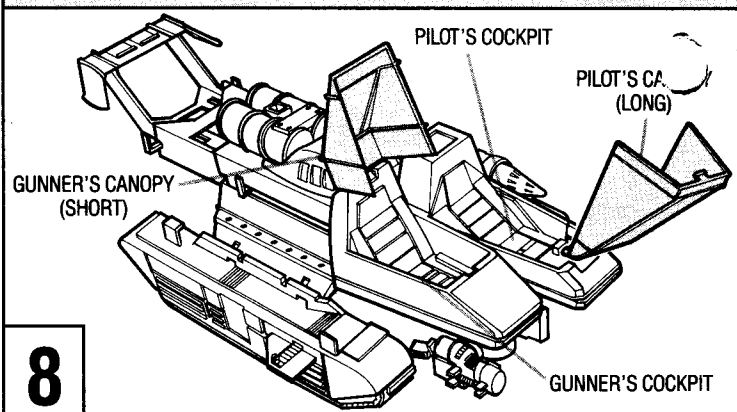
6

- 1 Snap chin turret launcher tub into hole in body bottom front. (ILL. 1)
- 2 Place side missile pod into groove on body side. Fit engine frame into slots in body bottom rear as shown. (ILL. 2)
- 3 Snap body top onto body bottom as shown. NOTE: Make sure rear of engine frame is extended as shown, prior to assembling body. (ILL. 3)
- 4 Slide and snap tail section into engine frame as shown. (NOTE: Be sure to push down on tail section while sliding it into engine frame.) Snap engine onto body top. (ILL. 4)
- 5 Slide spring action missile launcher post through holes in chin turret launcher tub. Snap counterweight onto end of post as shown. (ILL. 5)
- 6 Snap (4) wheels into holes in each track tread. (ILL. 6)

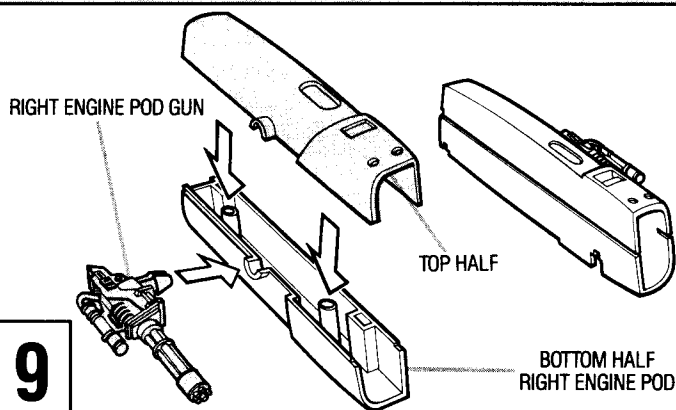
TRACK TREAD INSTALLATION



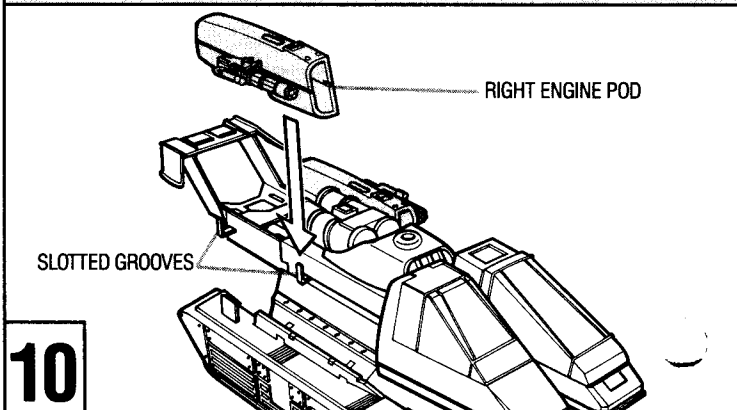
CANOPY INSTALLATION



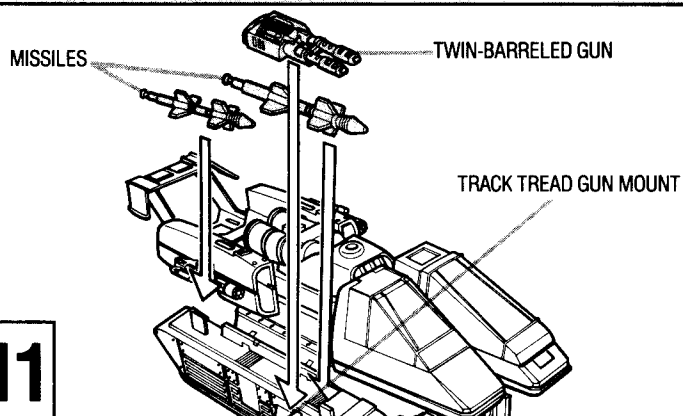
ENGINE POD ASSEMBLY



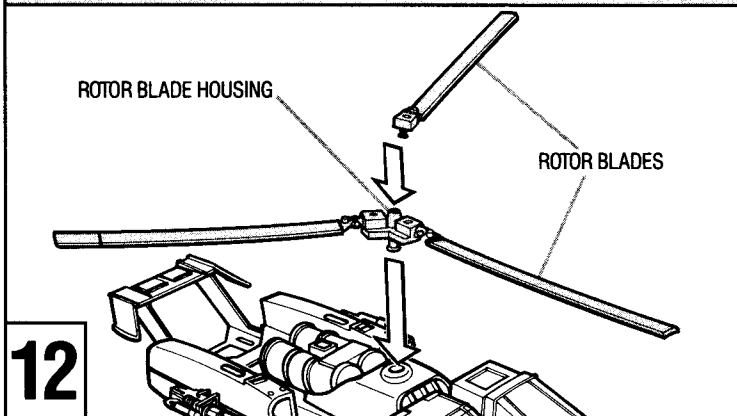
ENGINE POD INSTALLATION



WEAPONS INSTALLATION



ROTOR BLADE ASSEMBLY



7 Snap right track tread, labeled "R", onto right body side. Repeat for left track tread. (ILL. 7)

8 Snap pilot's canopy (long) over pilot's cockpit section, then press behind body hinge. Snap gunner's canopy (short) over gunner's cockpit section. (ILL. 8)

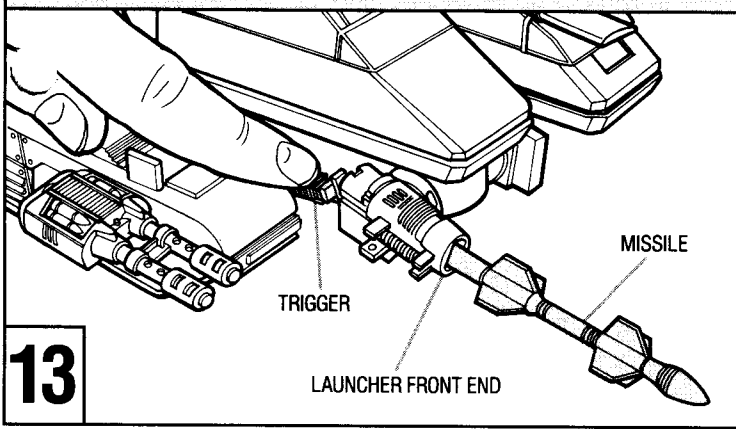
9 Place engine pod machine gun onto pivot hole half in bottom half of right engine pod, then snap top and bottom right engine pod halves together as shown. Repeat for left engine pod. (ILL. 9)

10 Slide right engine pod into slotted grooves in right body side. Repeat for left engine pod. (ILL. 10)

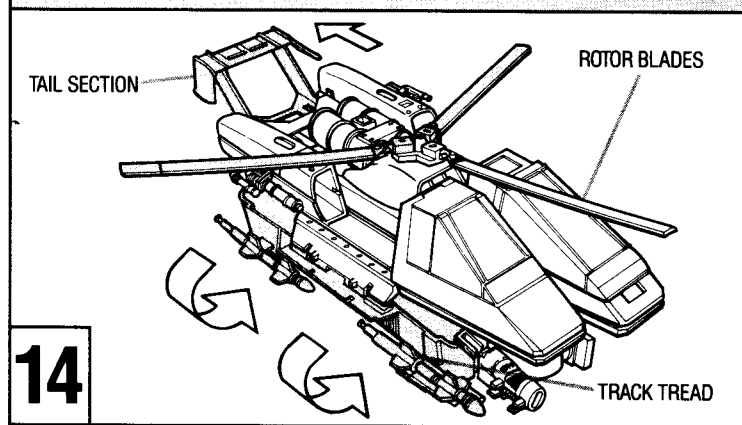
11 Snap right twin-barreled gun into hole in track tread gun mount. Fit 2 missiles onto tabs on right track tread. Repeat for left track tread weapons. (ILL. 11)

12 Snap rotor blades (2) into rotor blade housing as shown. Snap housing into hole in body. (ILL. 12)

SPRING ACTION MISSILE LAUNCHER ACTIVATION



ATTACK HELICOPTER

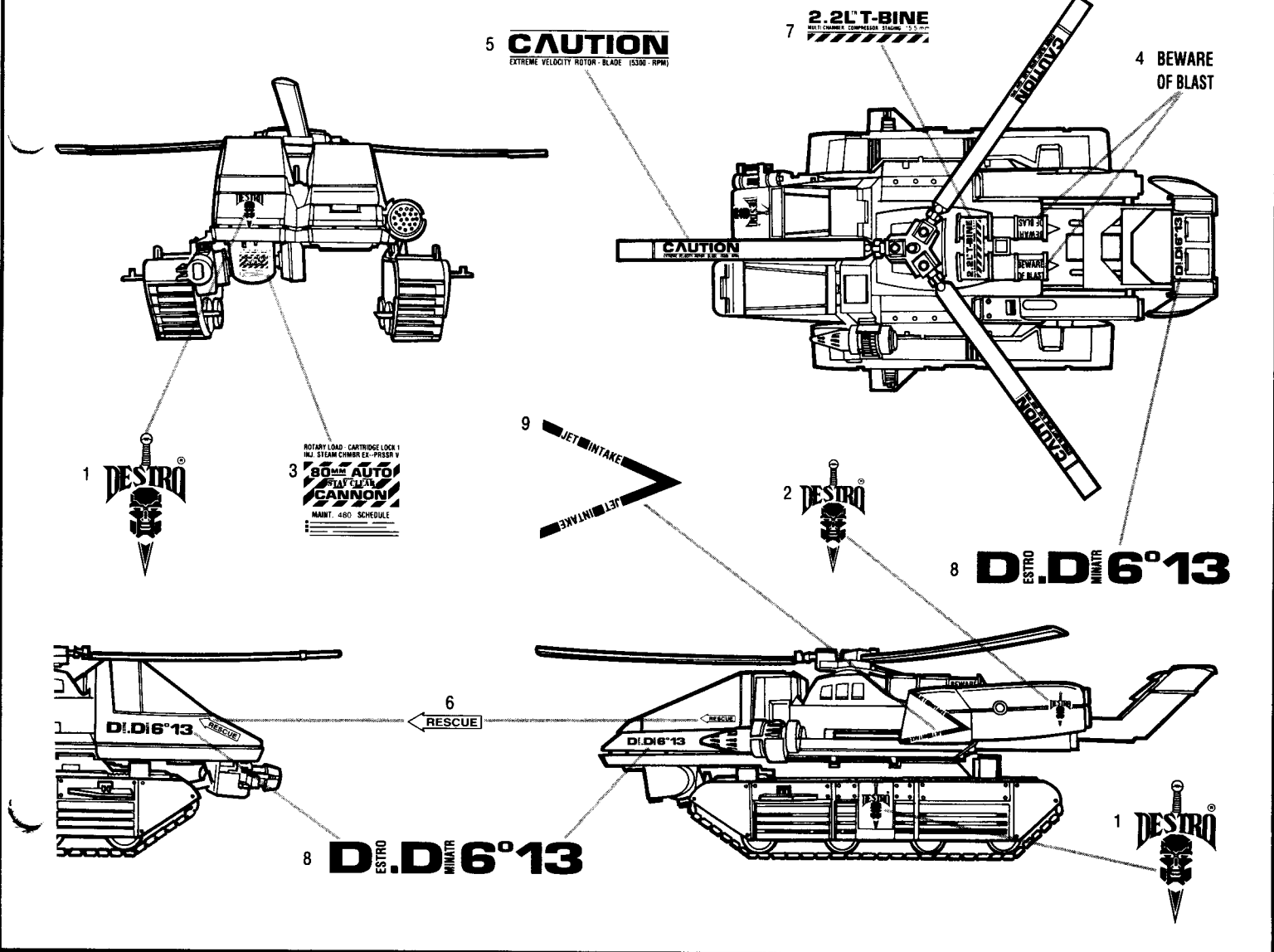


13 To activate spring action missile launcher, remove missile from tab on a track tread and snap into front end of launcher. To fire, push down trigger on rear end of launcher. (ILL. 13)

14 To convert into attack helicopter, pull back tail section and position rotor blades as shown. Fold in track treads and snap inside hooks into holes underneath body bottom. (ILL. 14)

©1990 Hasbro, Inc., Pawtucket, RI 02862 U.S.A. All Rights Reserved. **MADE IN U.S.A.** 6361 P/N 40776500

Peel and apply labels as shown.



DESTRO'S® DOMINATOR™

- 1) AERODYNAMIC, SYNCHRONIZED, COMPUTER CONTROLLED ROTOR BLADES
- 2) FORWARD DRIVER'S COMMAND CENTER WITH RADAR-PROOF CANOPY
- 3) MULTI-SHOT, RAPID-FIRE 3.5mm MISSILE POD
- 4) TITANIUM REINFORCED, TRACK PROTECTOR GUARDS
- 5) DELAYED SPIN, LOW-NOISE ROTOR BLADE ACTIVATION SYSTEM
- 6) FULL-BLAST, JET THRUSTER INTAKES
- 7) CXP-230 MULTIPLEX, EXHAUST EXHIBITORS WITH AFTERBURNER CAPABILITY
- 8) HIGH-IMPACT, ORDNANCE STORAGE DUCTS
- 9) RADAR TRACKING/UHF/VHF COMMUNICATIONS ANTENNAE
- 10) REAR STABILIZER SUPPORT PLATFORM
- 11) STABILIZER TAIL DIRECTIONAL ACTUATOR
- 12) HIGH-SPEED, SMOOTH-STOP AIR BRAKES

