

Ages 5 and up.

GUIDE

EXTREME™

BONE SPLITTER™ VEHICLE

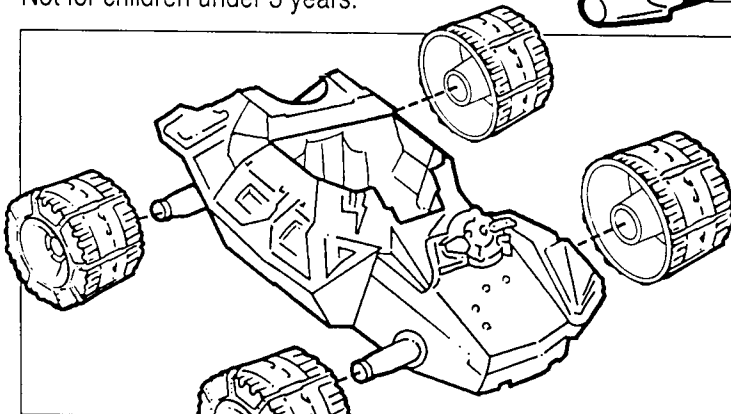
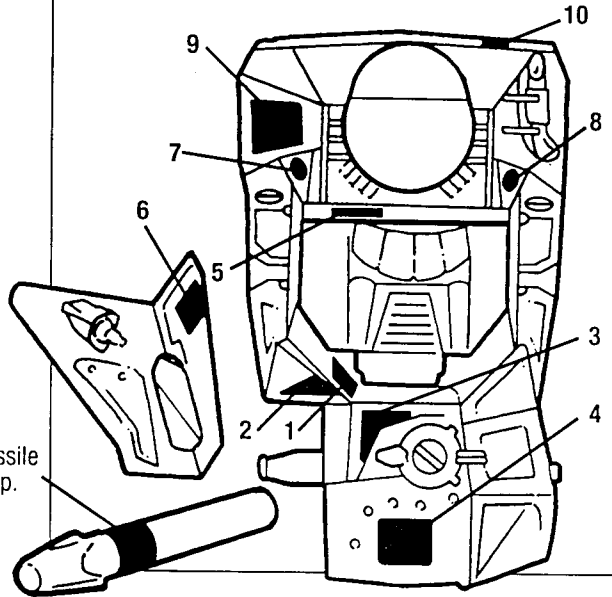
Instruction Sheet

⚠ WARNING:

CHOKING HAZARD- Small parts.
Not for children under 3 years.

Apply missile
label wrap.

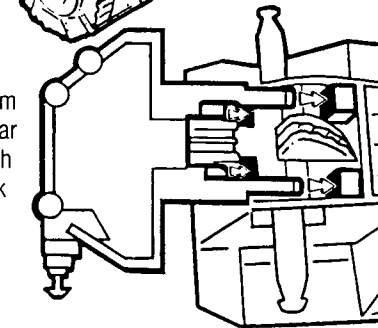
1. Using this illustration and package photographs as a guide, apply labels to unassembled parts as shown.



2. Attach the wheels to vehicle by pressing them firmly onto the axles until they snap into place.



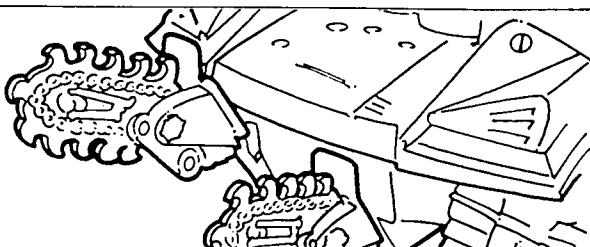
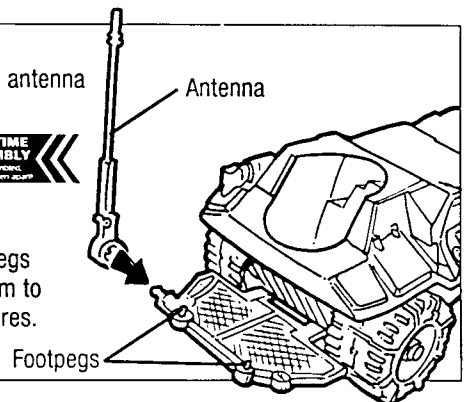
3. Place tabs on rear platform into slots in rear of vehicle. Push forward to lock in place.



4. Attach antenna as shown.



Use footpegs on platform to stand figures.



5. Attach the chainsaws to front of the vehicle by sliding the tab on the chainsaw into the notch on the vehicle.

