

Ages 5 and up.

# GUIDE

EXTREME™

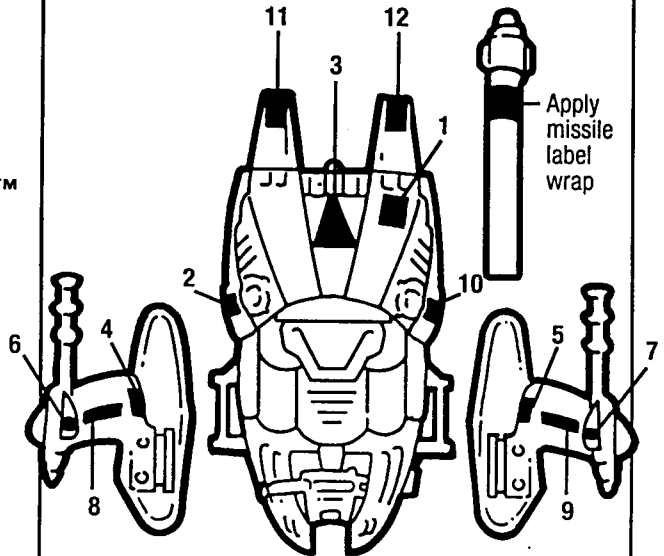
## SAND STRIKER™ VEHICLE

### Instruction Sheet

**⚠ WARNING:**

CHOKING HAZARD - Small parts.  
Not for children under 3 years.

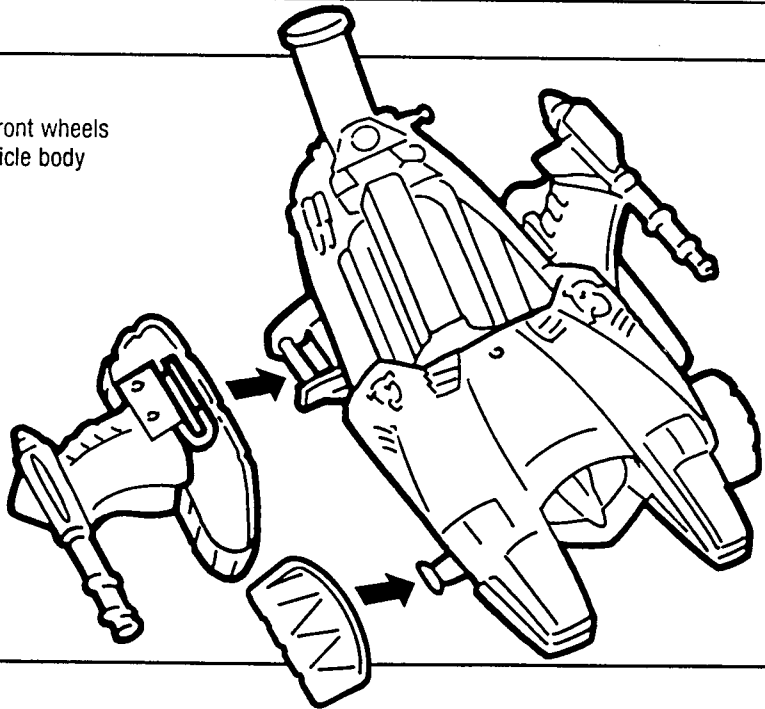
**1.** Apply labels to unassembled parts, using numbers on the label sheet and these illustrations as a guide.



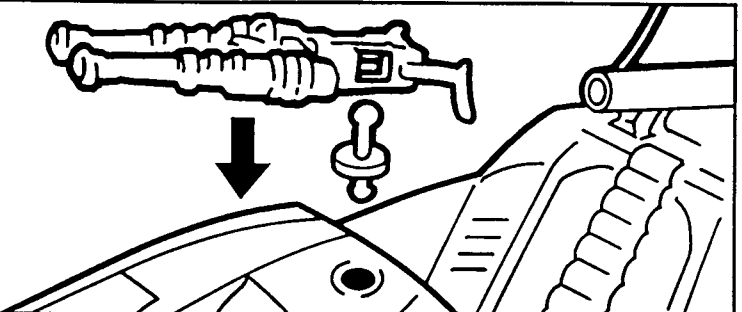
**2.** Snap treads and front wheels onto both sides of vehicle body as shown.



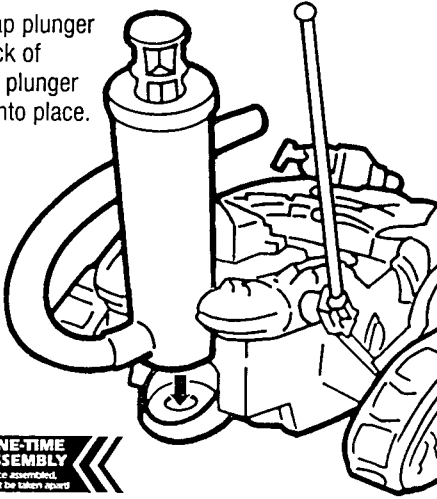
FRONT WHEELS



**3.** Insert weapon with pin into top of vehicle as shown.

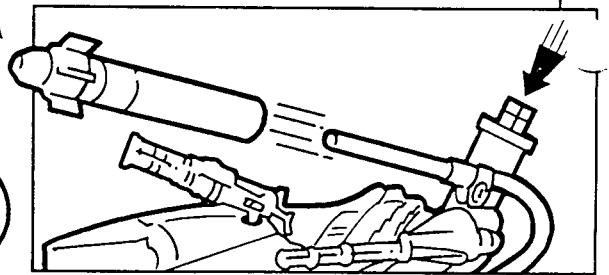
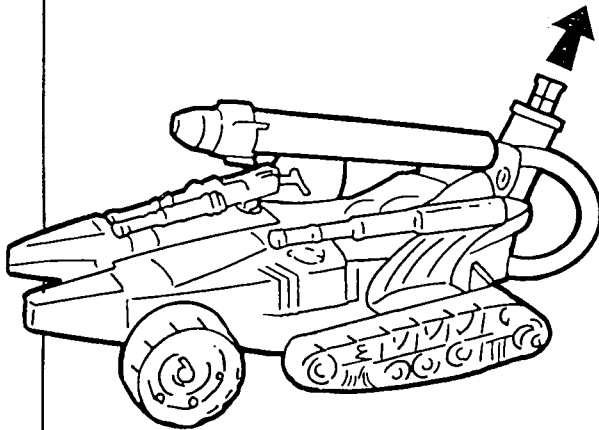
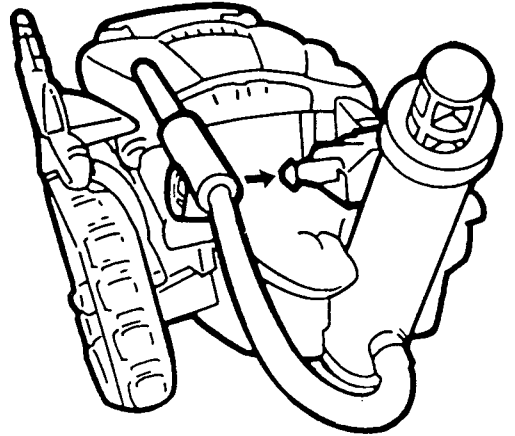


**4.** Snap plunger into back of vehicle, plunger snaps into place.



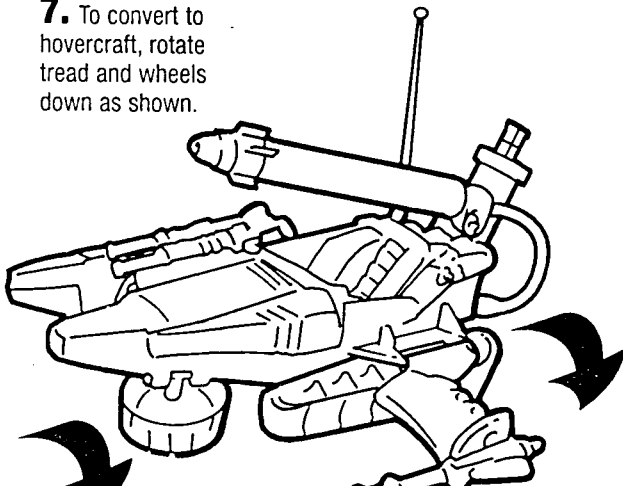
**ONE-TIME ASSEMBLY**  
Once assembled,  
cannot be taken apart

**5.** Snap cannon tube onto pivot.



**6.** With missile loaded, slowly pull up plunger handle, aim missile launcher and quickly push down plunger handle.

**7.** To convert to hovercraft, rotate tread and wheels down as shown.



**8.** Place figure into seat as shown.

