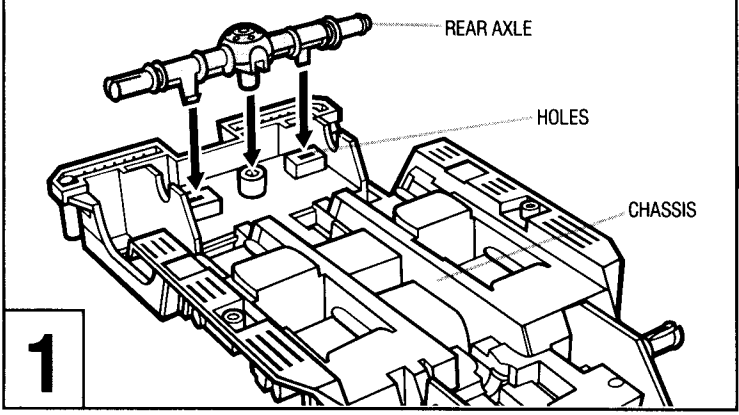
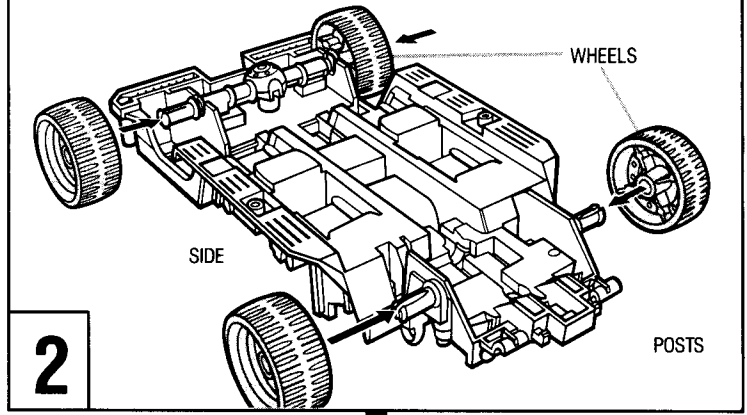


Contains: Chassis, roof, engine hood, right & left slide hatches, 2 Finger Flick Technology missile launchers, right & left gas container halves, ammo case, ammo belt, 4 wheels, bumper, 2 twin barreled side guns, 2 side gun mounts, engine detail, steering wheel, front & rear tripod sections, tow hook, whip antenna, top gun ring, top gun, 6 missiles, 4 seat clips, G.I. Joe folder, label sheet and prints.

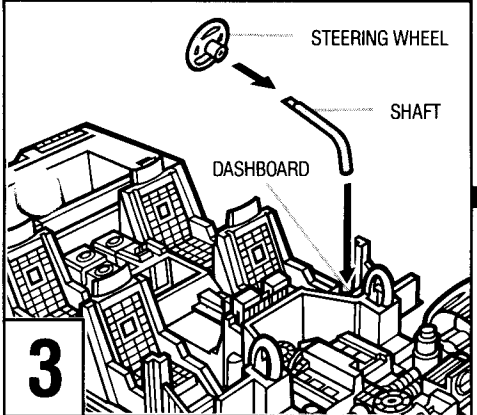
AXLE INSTALLATION



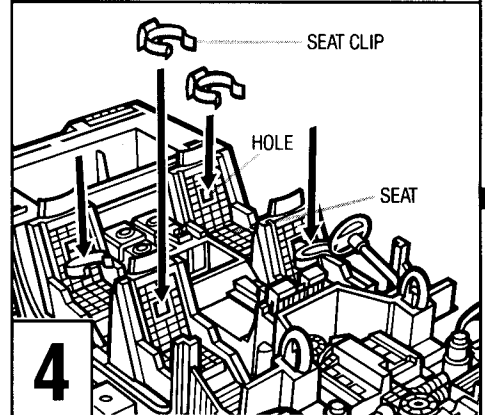
WHEEL INSTALLATION



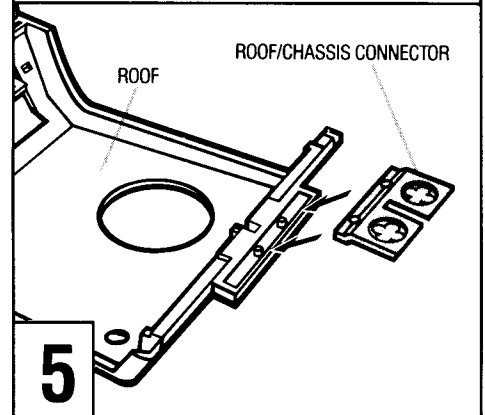
STEERING WHEEL ASSEMBLY



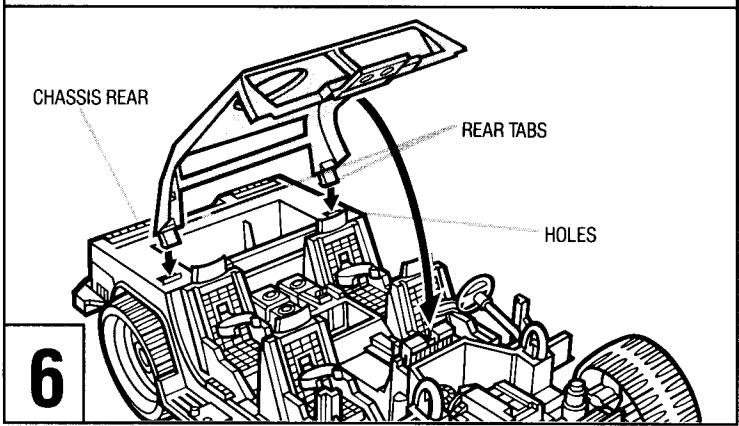
SEAT CLIP INSTALLATION



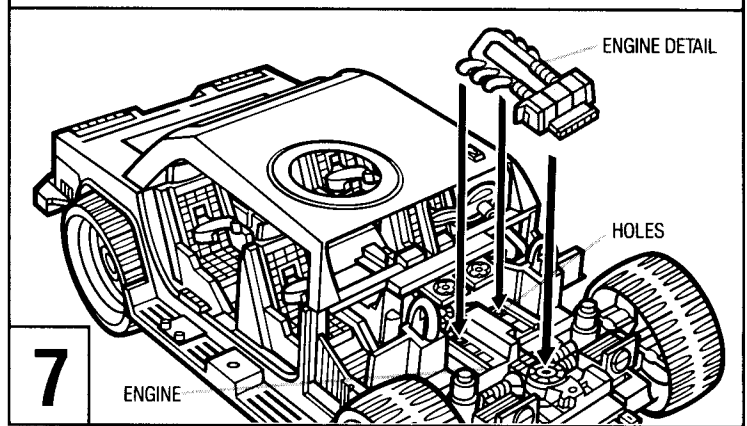
ROOF/CHASSIS CONNECTOR ASSEMBLY



ROOF INSTALLATION

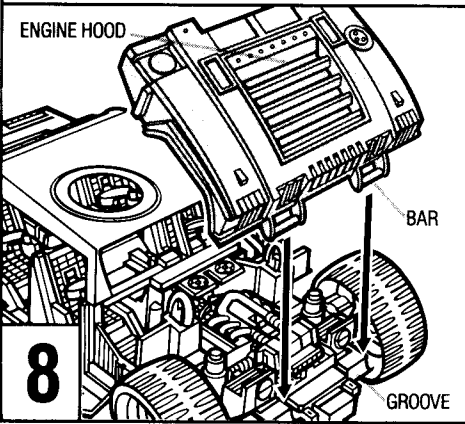


ENGINE DETAIL INSTALLATION

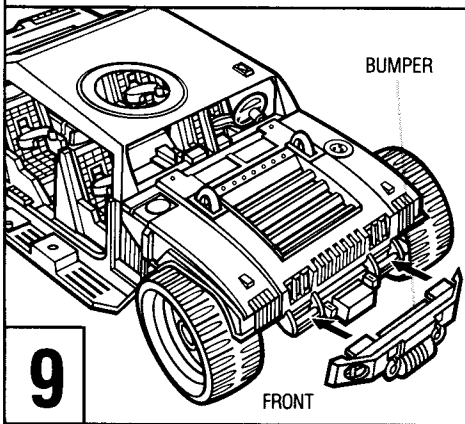


- 1 Turn chassis upside down. Snap rear axle into holes in chassis as shown. (ILL. 1)
- 2 Snap 4 wheels onto posts on chassis sides. (ILL. 2)
- 3 Turn chassis right side up. Fit steering wheel shaft into hole in driver's side dashboard. Fit steering wheel onto shaft. (ILL. 3)
- 4 Fit seat clips into holes in 4 seats as shown. (ILL. 4)
- 5 Turn roof upside down. Fit roof/chassis connector into roof as shown. (ILL. 5)
- 6 Turn roof right side up. Hook rear tabs on roof into holes in chassis rear. Swing down roof and snap roof/chassis connector into holes in chassis as shown. (ILL. 6)
- 7 Fit engine detail into holes in engine as shown. (ILL. 7)

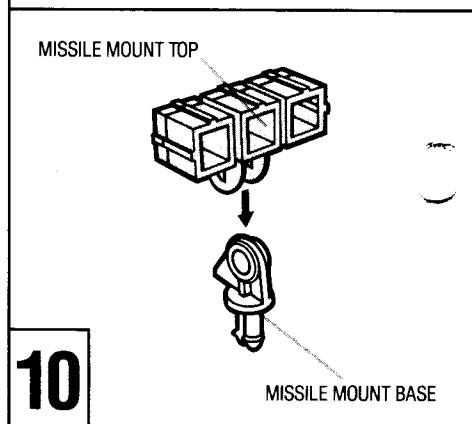
ENGINE HOOD INSTALLATION



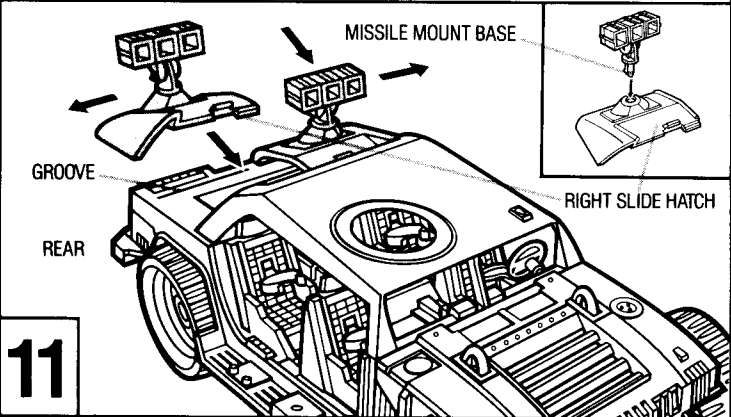
BUMPER ASSEMBLY



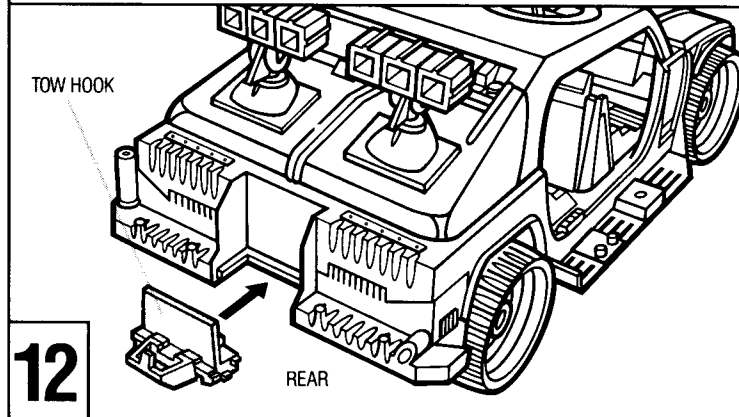
MISSILE MOUNT ASSEMBLY



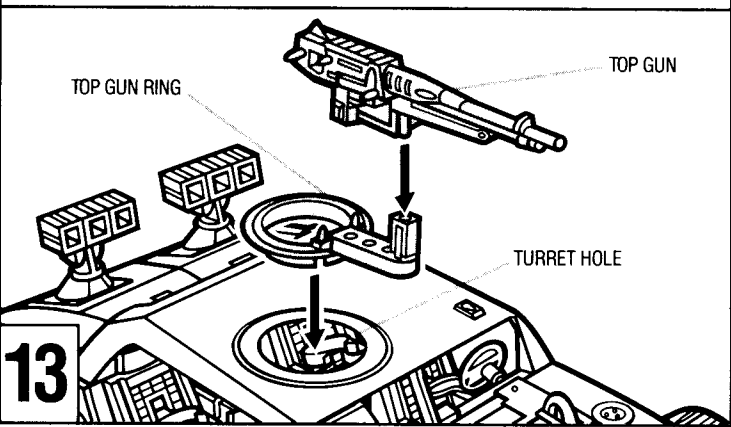
MISSILE MOUNT INSTALLATION



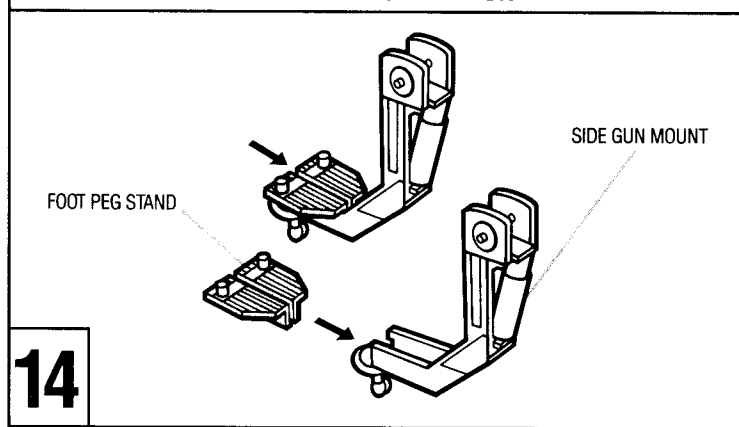
TOW HOOK INSTALLATION



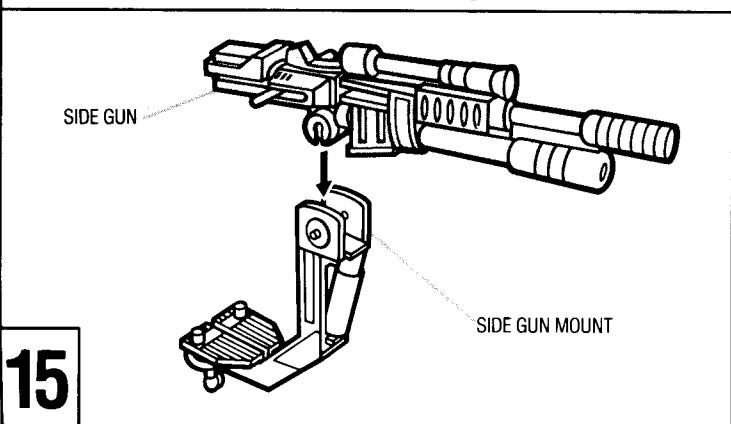
TOP GUN INSTALLATION



FOOT PEG INSTALLATION

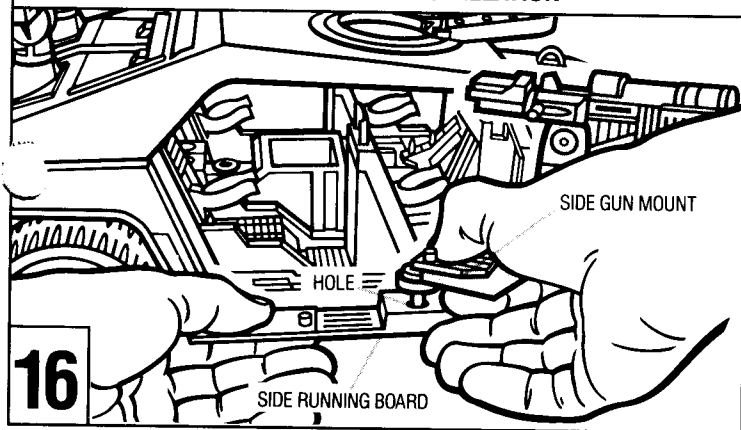


SIDE GUN INSTALLATION

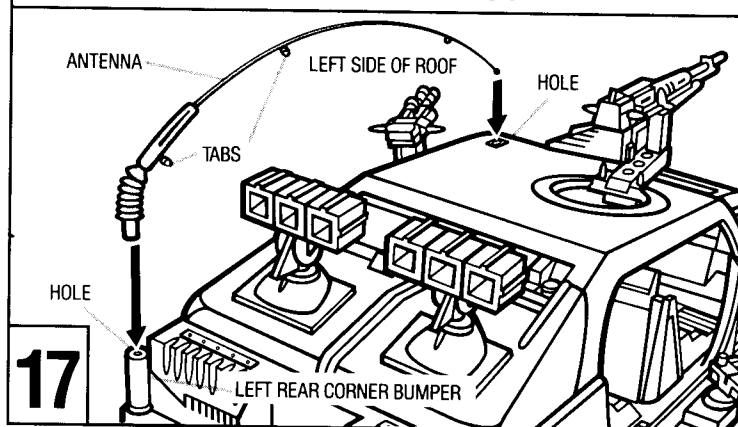


- 8 Fit engine hood bars into grooves in chassis front. (ILL. 8)
- 9 Snap bumper onto chassis front end. (ILL. 9)
- 10 Snap missile mount top into missile mount base. Repeat for other missile mount. (ILL. 10)
- 11 Fit missile mount base into hole in right slide hatch (INSET). Repeat for other missile mount with left slide hatch. Fit right slide hatch front onto roof rear as shown. Snap slide hatch into groove in chassis rear as shown. Repeat for left slide hatch. Slide hatches can move from side to side. (ILL. 11)
- 12 Slide and snap tow hook into chassis rear end. (ILL. 12)
- 13 Snap top gun ring into turret hole. Fit top gun into hole in gun ring as shown. Top gun is also removable and can be placed onto tripod. (ILL. 13)
- 14 Slide and snap foot peg stand into side gun mount as shown. Repeat for other foot peg stand with other side gun. (ILL. 14)
- 15 Fit side gun into side gun mount. Repeat for other side gun. (ILL. 15)

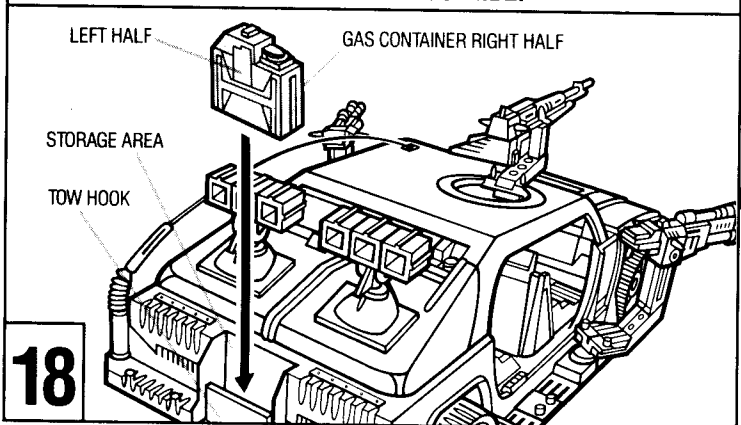
SIDE GUN MOUNT INSTALLATION



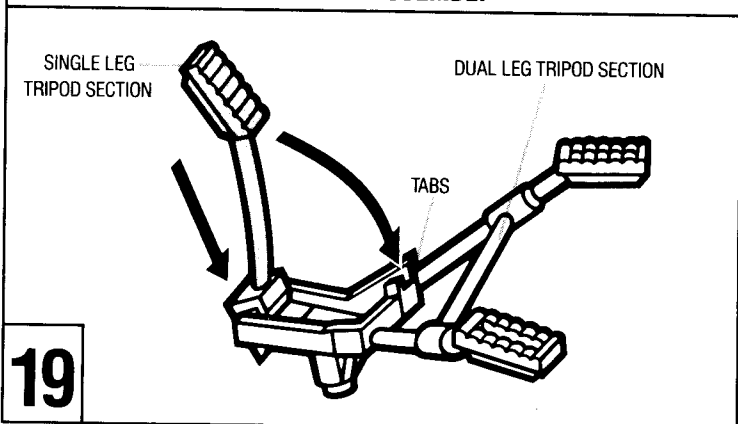
ANTENNA INSTALLATION



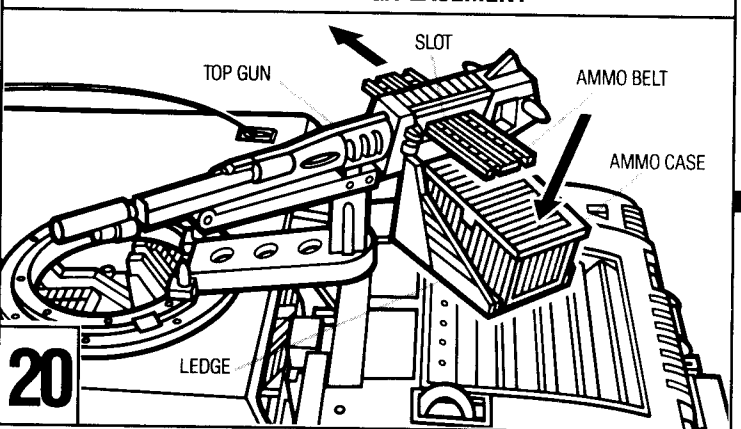
GAS CONTAINER ASSEMBLY



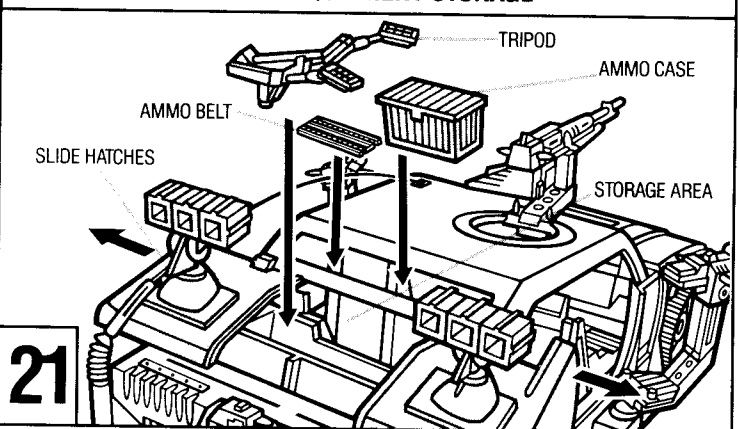
TRIPOD ASSEMBLY



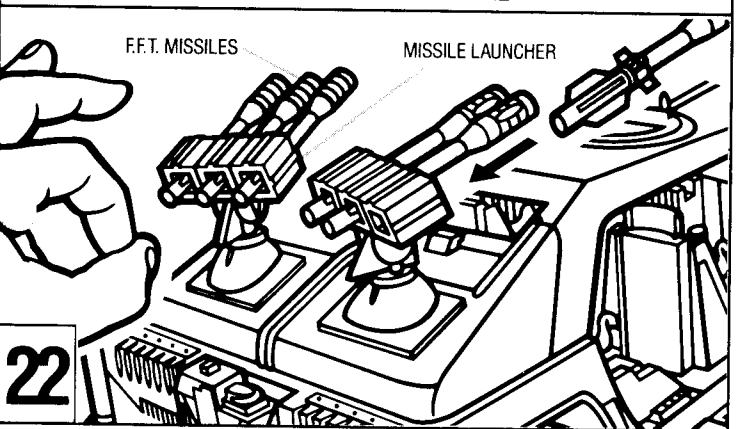
AMMO LOADING/PLACEMENT



BATTLE EQUIPMENT STORAGE



F.F.T. MISSILE LOAD & FIRE



- 16 With hand underneath side running board as support, press side gun mount into hole in running board. Repeat for other side gun. (ILL. 16)
- 17 (NOTE: Twist off plastic tabs before installing antenna.) Snap antenna into hole in left rear corner of bumper, then fit other antenna end into hole in left side of roof. (ILL. 17)
- 18 Fit gas container right & left halves together. Fit gas container into storage area in front of tow hook. (ILL. 18)
- 19 Snap single leg tripod section into dual leg tripod section as shown. For storage, fold single leg section upward and into dual leg section and snap between tabs. (ILL. 19)
- 20 Place ammo case onto ledge on top gun as shown (INSET). To load ammo into top gun, feed ammo belt through slot in top gun, with or without ammo case. (ILL. 20)
- 21 Move hatches to either side to expose storage area. Remove ammo belt from top gun and place it and the ammo case into right side of storage area. Place folded tripod into storage area as shown. Close slide hatches. (ILL. 21)
- 22 Load F.F.T. missiles into launch holes in missile launchers. To fire, place finger behind missile and flick. (ILL. 22)

GI. JOE® HAMMER™

- 1) CRUNCH-GUARD FRONT END BUMPER
- 2) REMOVABLE, TITANIUM ENGINE COVER WITH CIRCO-VENT SYSTEM
- 3) MULTI-DEPLOYABLE, TWIN-BARRELED SIDE GUN STATIONS
- 4) HIGH-IMPACT, PULSE CANNON WITH MEGA TRACER ROUND CAPACITY
- 5) UHF/VHF/CV/T COMMUNICATIONS WHIP ANTENNA
- 6) FULLY ROTATIONAL, COMPUTER CONTROLLED GUN TURRET
- 7) AERODYNAMIC, SHRAPNEL-RESISTANT COVER
- 8) LONG RANGE, HEAT SENSITIVE, GUIDED MISSILE SYSTEM
- 9) MULTIPLE LAUNCH DIRECTION MISSILE FIRE STATIONS
- 10) QUICK-SLIDE, REAR HATCHES WITH STORAGE DUCTS
- 11) REAR END COMPARTMENT WITH FUEL HOUSING SECTION

Peel and apply labels as shown.

