

Contains: Main body, 2 sea sleds, command center cockpit seat, command center top, command center bottom, missile shaft, missile shaft base, 6 wheels, front and rear leaf suspension axles, 2 spring action missile launcher guns, 2 spring action missiles, 2 left and right submarine body halves, 2 submarine propellers with 2 nose cones and 2 end caps, 2 submarine cockpit seats, 2 twin machine guns, 2 sea sled propellers, 2 sea sled rudders, 4 missiles, 14 torpedoes, 2 main body canopies, 2 submarine canopies, command center canopy, spoiler, radar unit with antenna, 2 seat clip, compression chamber hatch, "DECIMATOR"™ figure, G.I. Joe folder, label sheet and blueprints.

WHEELS/LEAF SUSPENSION AXLE ASSEMBLY

1

LEAF SUSPENSION AXLE INSTALLATION

2

DECOMPRESSION CHAMBER HATCH & SPOILER INSTALLATION

3

MACHINE GUNS & MAIN BODY COCKPIT CANOPIES INSTALLATION

4

MISSILE SHAFT ASSEMBLY

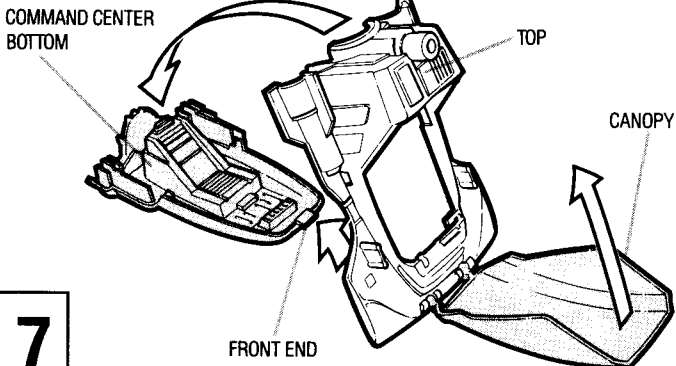
5

COMMAND CENTER SEAT INSTALLATION

6

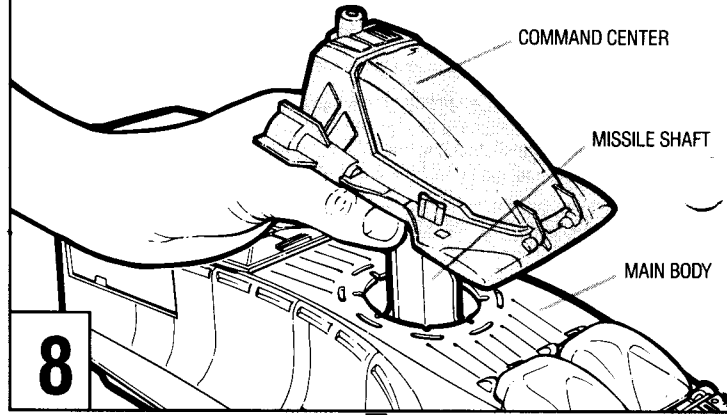
- Fit 6 wheels onto ends of front and rear leaf suspension axles as shown. (ILL. 1)
- Turn main body upside down. Snap tabs on front axle into hole in body front end. Snap tabs on rear axle into hole in body rear end. (ILL. 2)
- Turn main body right side up. Snap decompression chamber hatch over decompression chamber. Slide rear spoiler into slots in body rear. (ILL. 3)
- Snap main body cockpit canopies into holes located above cockpits as shown. Snap 2 twin machine guns into holes in front end. (ILL. 4)
- Snap missile shaft into missile shaft base as shown (INSET). Snap missile shaft into command center hole in body. (ILL. 5)
- Hook tab on front end of seat into hole in front of command center bottom. Swing down rear of seat and snap into hole in rear end of command center bottom. (ILL. 6)

COMMAND CENTER ASSEMBLY



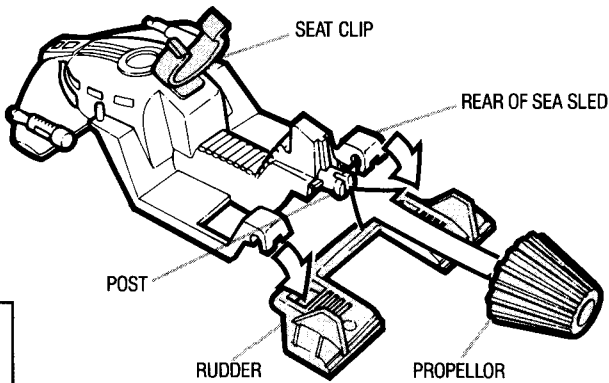
7

COMMAND CENTER INSTALLATION



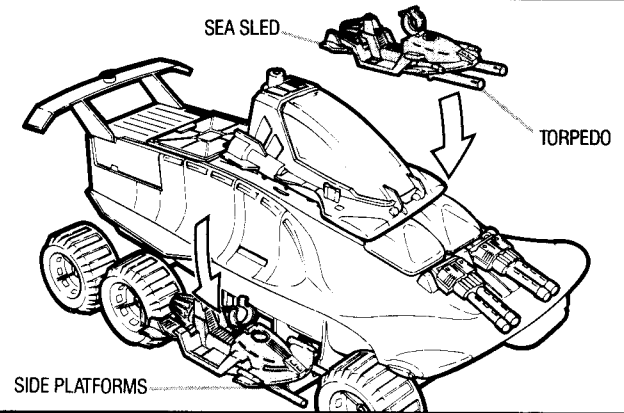
8

SEA SLED ASSEMBLY



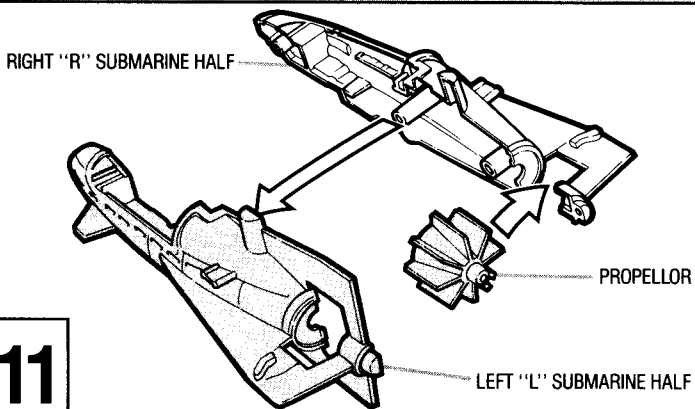
9

TORPEDO INSTALLATION



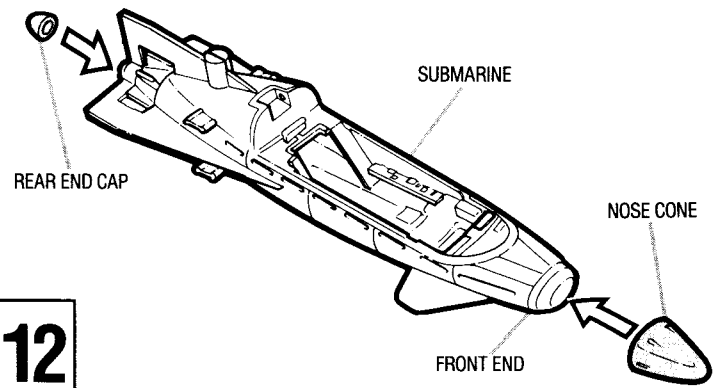
10

SUBMARINE ASSEMBLY



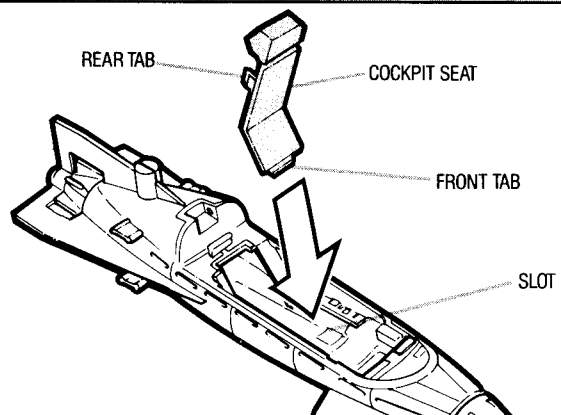
11

NOSE CONE & END CAP INSTALLATION



12

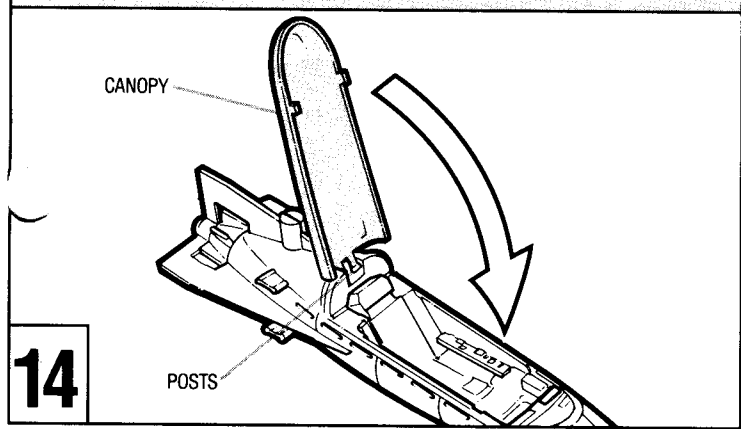
SUBMARINE COCKPIT SEAT INSTALLATION



13

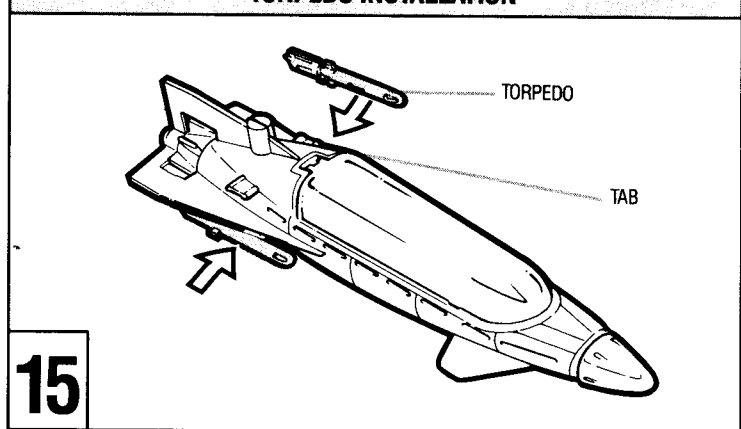
- 7 Hook front end of command center bottom into hole in command center front end top, then swing up rear end of command center bottom and snap into command center top. Snap command center canopy onto command center as shown. (ILL. 7)
- 8 Snap command center onto top of missile shaft as shown. To remove, squeeze tabs on missile shaft sides and pull upward. (ILL. 8)
- 9 Snap rudder into grooves in rear of sea sled. Snap sea sled propellor onto post on rear of sled. Slide seat clip into slot as shown. Repeat for other sea sled. (ILL. 9)
- 10 Snap 2 torpedoes onto underside tabs on sea sled. Fit sea sled onto side platforms on main body. Repeat for other sea sled. (ILL. 10)
- 11 Place submarine propellor into rear end of right submarine half as shown. Fit left submarine half, labeled "L", onto right submarine half, labeled "R", and fit together, trapping the propellor. Repeat process for other submarine assembly. (ILL. 11)
- 12 Snap nose cone onto front end of submarine. Snap rear end cap over rear end of submarine. Repeat for other submarine. (ILL. 12)
- 13 Slide submarine cockpit seat front tab into slot in floor of submarine. Snap tabs on seat rear into holes in submarine cockpit rear. Repeat for other submarine. (ILL. 13)

SUBMARINE CANOPY INSTALLATION



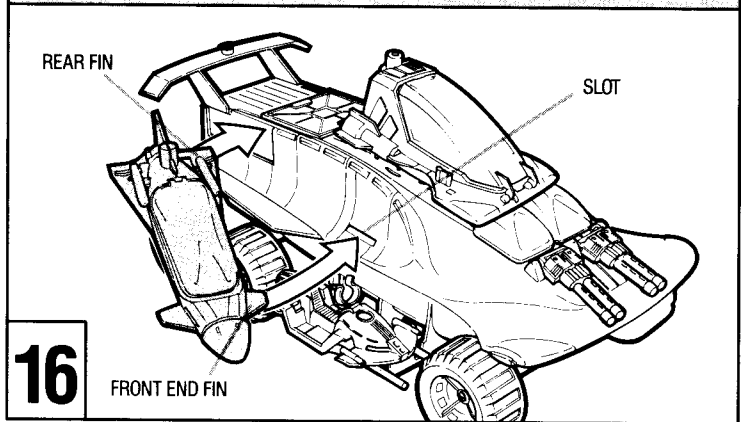
14

TORPEDO INSTALLATION



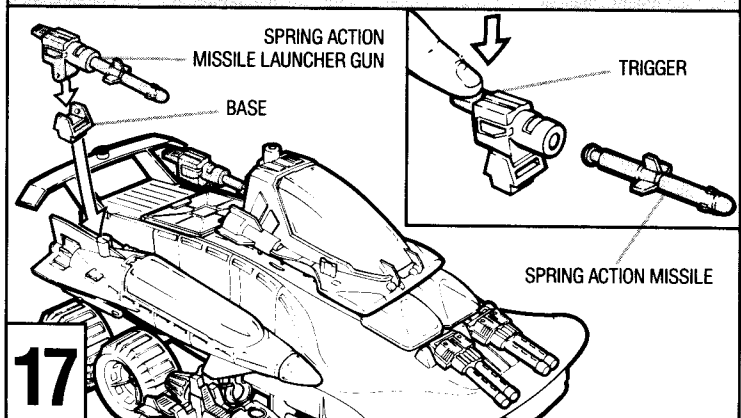
15

SUBMARINE INSTALLATION



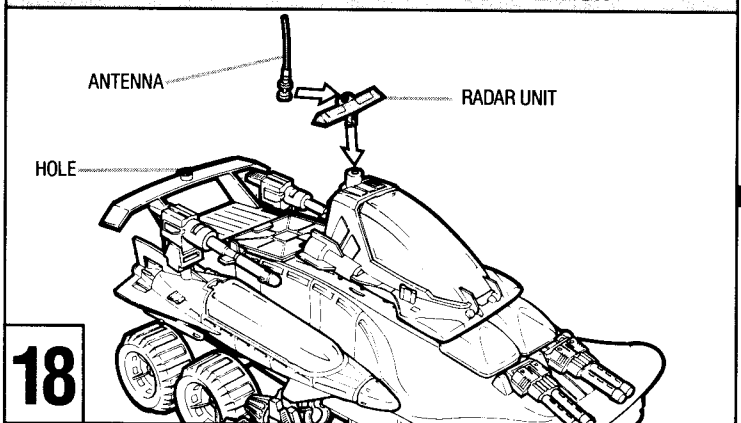
16

SPRING ACTION MISSILE LAUNCHER GUN OPERATION



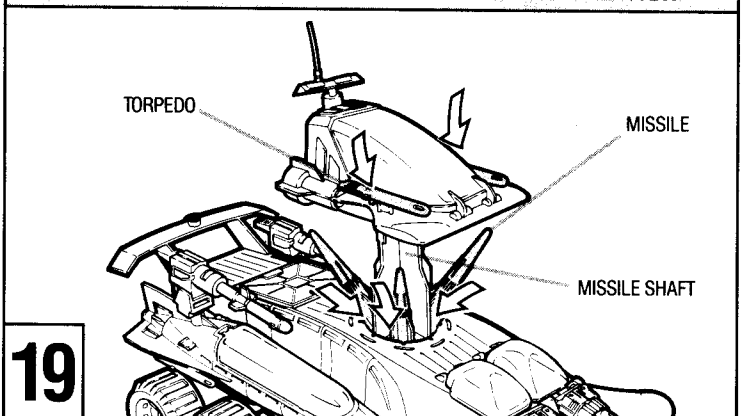
17

RADAR UNIT ASSEMBLY AND INSTALLATION



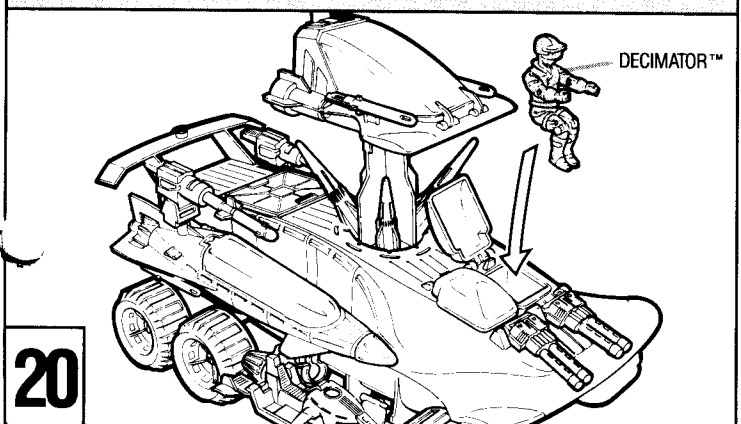
18

COMMAND CENTER TORPEDO & MISSILE INSTALLATION



19

FIGURE PLACEMENT



20

- 14 Snap posts on submarine canopy into holes in submarine top as shown, then swing down canopy and snap into place. Repeat for other submarine. (ILL. 14)
- 15 Fit 4 torpedoes onto tabs on submarine. Repeat for other submarine. (ILL. 15)
- 16 Align tab on rear fin with slot in main body side and slide into place. Swing submarine front end fin toward forward slot in main body and snap into place. To remove submarine, pull out front end fin and then slide submarine rear end outward. Repeat for other submarine. (ILL. 16)
- 17 Fit missile launcher over posts on missile launcher base. Fit spring action missile launcher guns over posts in submarines. These guns can also fit over posts on rear spoiler and command center. Slide missile into missile launcher and lock into place. To fire, push down trigger as shown (INSET). (ILL. 17)
- 18 Snap antenna into slot in radar unit. Radar unit can be inserted into hole in either command center or rear spoiler. (ILL. 18)
- 19 Snap 2 torpedoes onto tabs on command center. To load missiles into missile shaft, pull missile shaft upward as shown. Snap 4 missiles into missile shaft base. (ILL. 19)
- 20 Decimator can be placed into the cockpit areas located within the sea sleds, submarines, command center, or main body. (ILL. 20)

COBRA™ HAMMERHEAD™

- 1) SOPHISTICATED NOSE BALLAST SYSTEM FOR DEEP SEA OPERATIONS
- 2) TWIN, HIGH-ENERGY, BOW LASER MACHINE GUNS
- 3) FORWARD VISUAL SCAN, FLIP-UP HATCHES
- 4) UPPER DECK, AIRBORNE/UNDERSEA COMMAND MODULE WITH PIVOTING RADAR UNIT
- 5) SURFACE SKIMMING, DIVERSIONARY SEA SLED SCOUT CRAFTS
- 6) AIR-TIGHT, SELF-CONTAINED CONTROL CENTER
- 7) SEA NET PENETRATING, LOW-NOISE ATTACK SUB WITH MISSILE FIRING CAPABILITY
- 8) NON-SINKING, TITANIUM/FIBERGLASS HULL
- 9) UABM SONIC DISINTEGRATOR MISSILE FIRING SYSTEM
- 10) UNDERSEA, PRESSURIZED DECOMPRESSION CHAMBER
- 11) SLIGHT RISE DIRECTIONAL STABILIZER BASE
- 12) INVERTED, KNOT ENHANCING STABILIZER FIN

Peel and apply labels as shown.

