



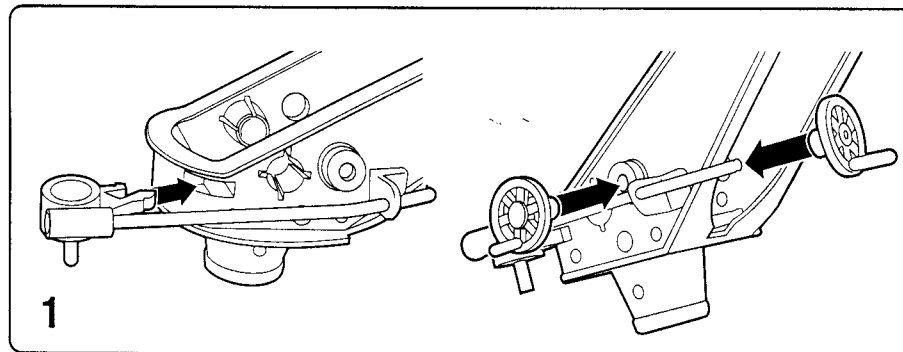
Ages 5 & Up

53033

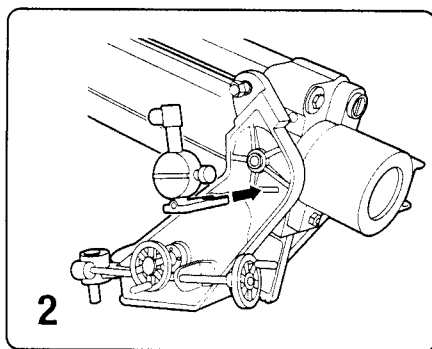
Korean War 155-mm Howitzer Cannon™

⚠ WARNING:
CHOKING HAZARD—Small parts.
Not for children under 3 years.

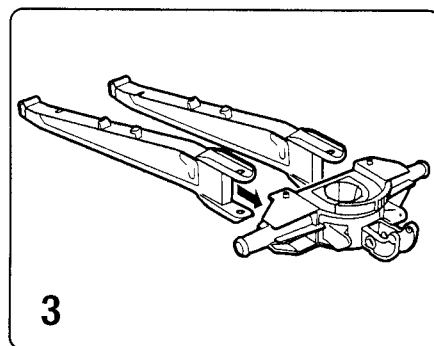
Some assembly required—no tools necessary.



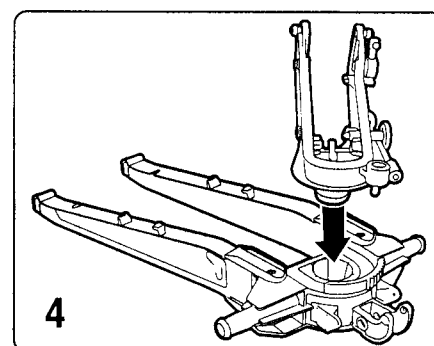
1
Snap crank case assembly into cannon support. Snap crank handle into crank case shaft as shown. Snap second crank handle into cannon support.



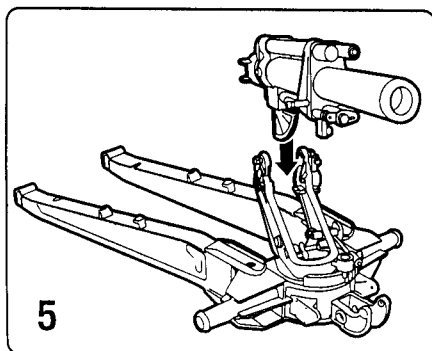
2
Snap side detail gun sight into cannon support.



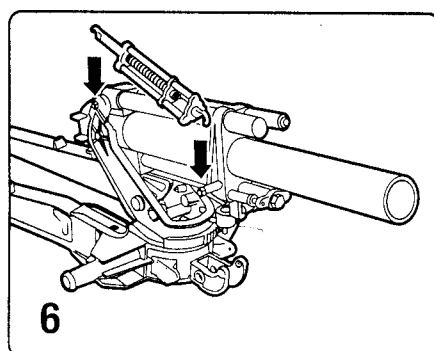
3
Snap right and left chassis legs into chassis as shown.



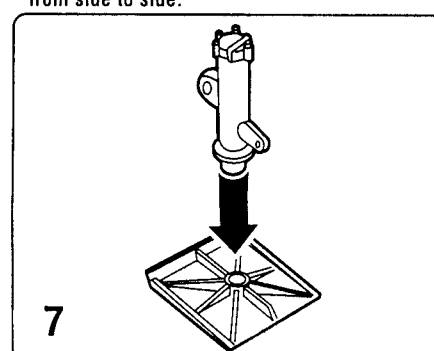
4
Snap cannon support into hole in chassis. Once assembled, cannon support can rotate from side to side.



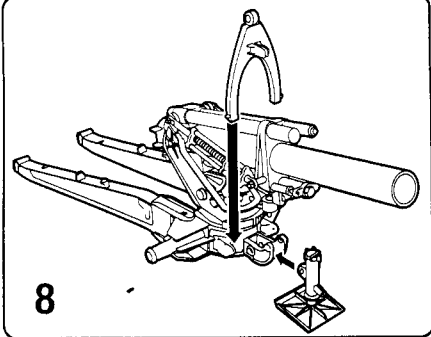
5
Snap cannon into cannon support as shown.



6
Snap right or left piston/spring onto cannon. Repeat for other piston/spring.

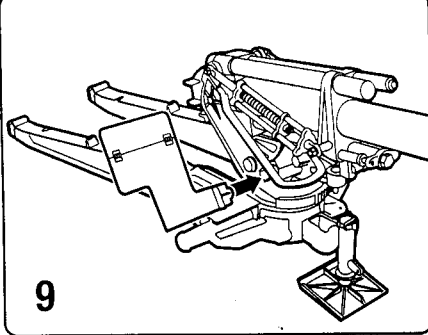


7
Snap piston stabilizer into piston stabilizer base.



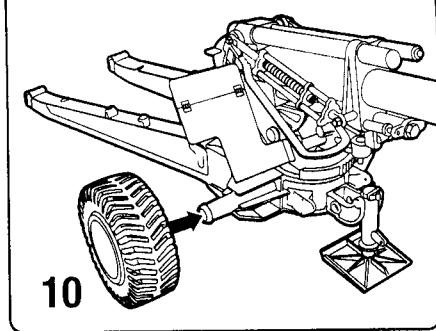
8

Snap base into chassis front end support arms as shown. Snap wishbone into front end of chassis.



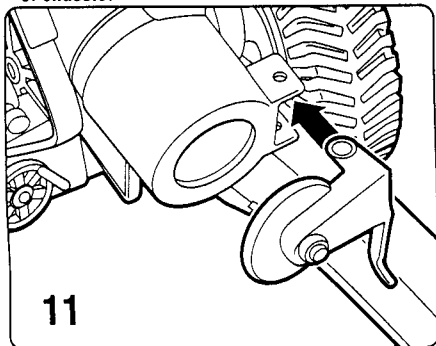
9

Snap right protective shield onto cannon support then repeat for left protective shield.



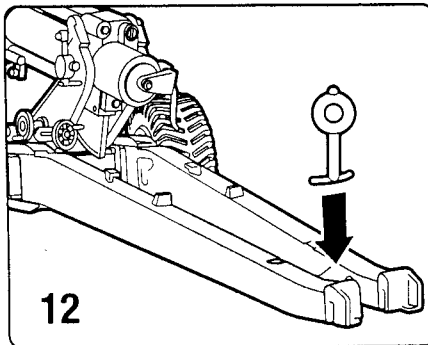
10

Snap wheels onto chassis.



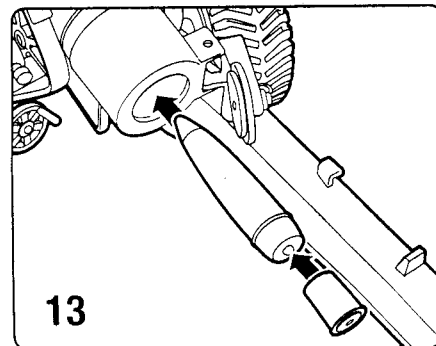
11

Snap chamber door onto breech area of cannon.



12

When ready to deploy cannon, snap T-hitch into chassis legs as shown.



13

To load projectile shell, open chamber door and insert shell then blast cap. Close chamber door.



IN THE INTEREST OF BETTER QUALITY AND VALUE, WE ARE CONSTANTLY IMPROVING AND UPDATING OUR PRODUCTS. CONSEQUENTLY, PICTURES ON THIS PACKAGE MAY SOMETIMES DIFFER FROM THE MODEL ENCLOSED.

Product and colors may vary.
© 2001 Hasbro, Inc., Pawtucket, RI 02862 USA. All Rights Reserved.
® & TM denote Reg. U.S. Pat. & TM Office.

MADE IN CHINA

PN 47300500