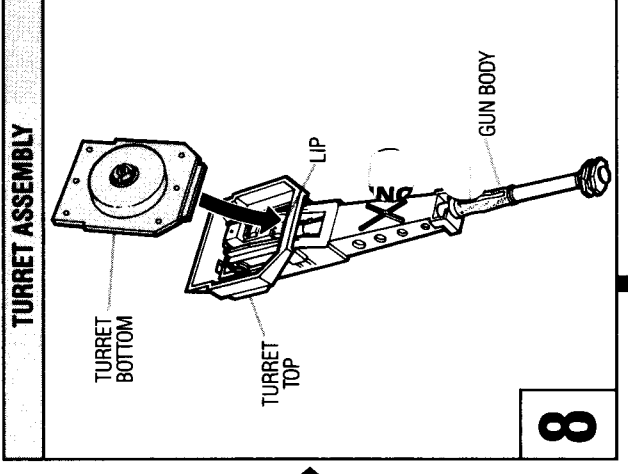
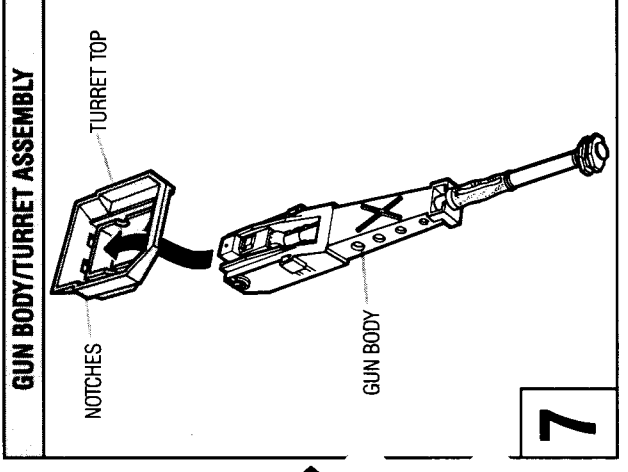
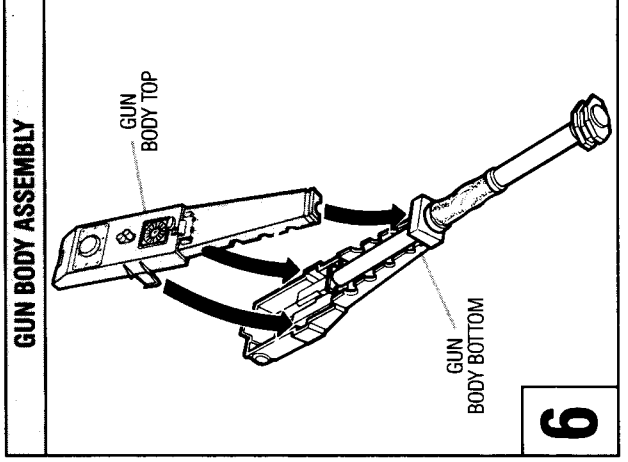
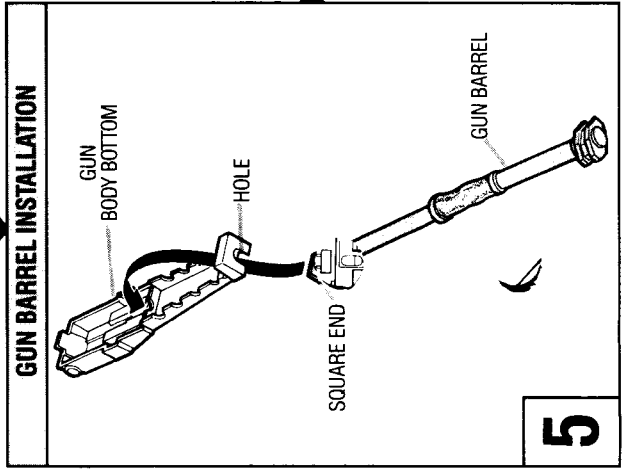
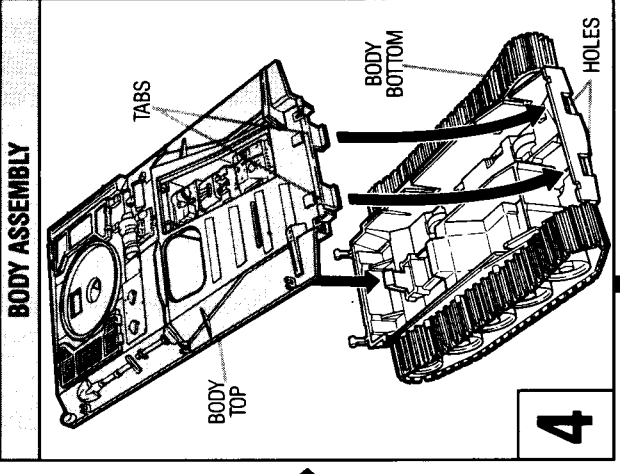
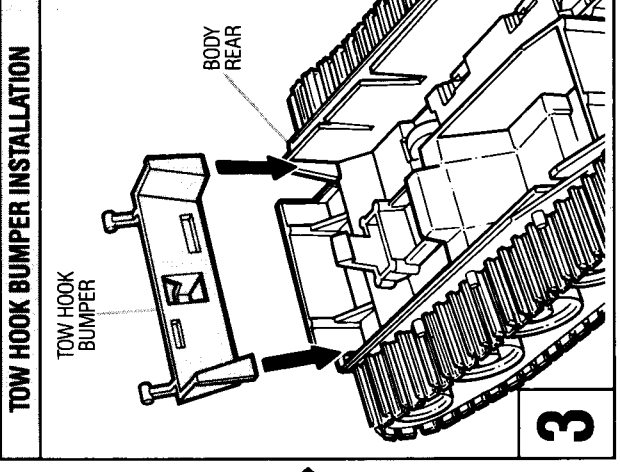
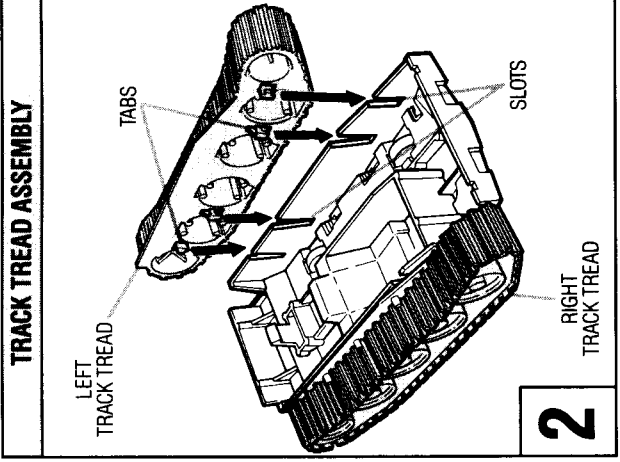
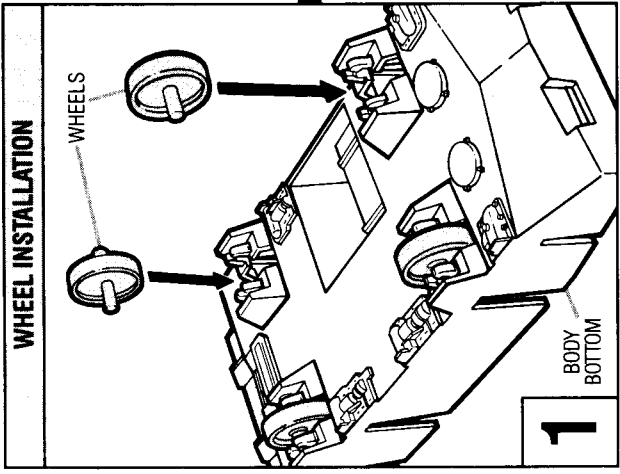
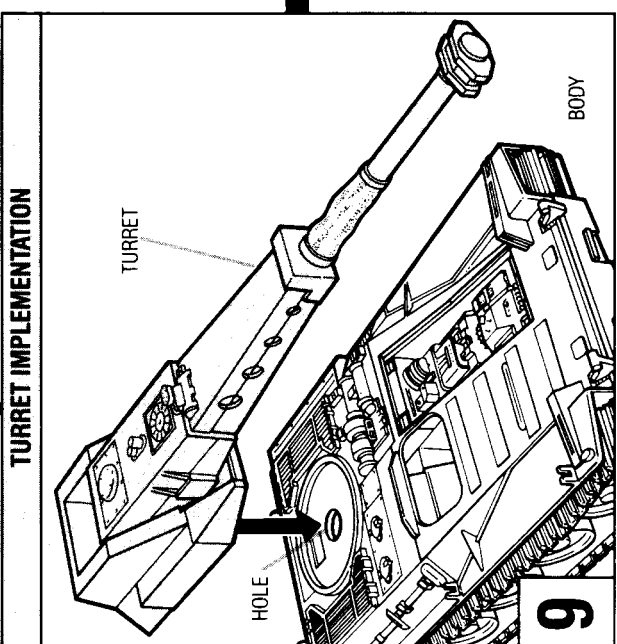


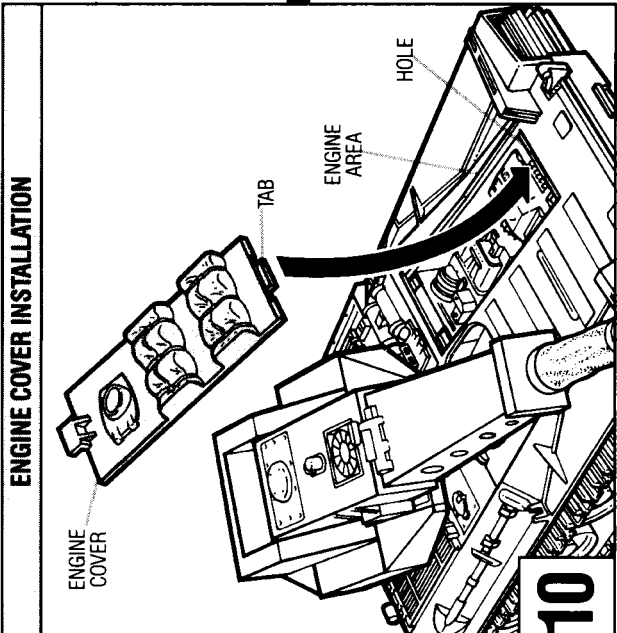
6718



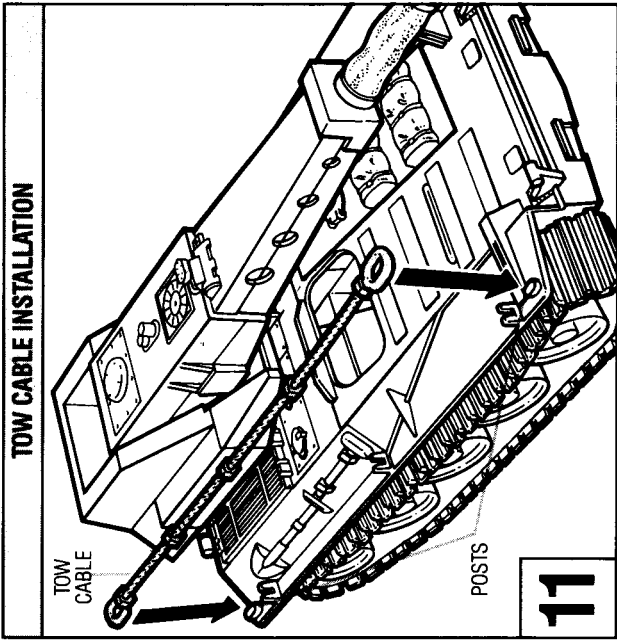
TURRET IMPLEMENTATION



ENGINE COVER INSTALLATION

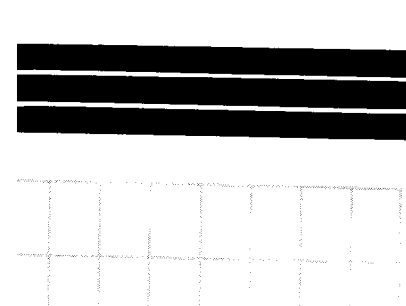
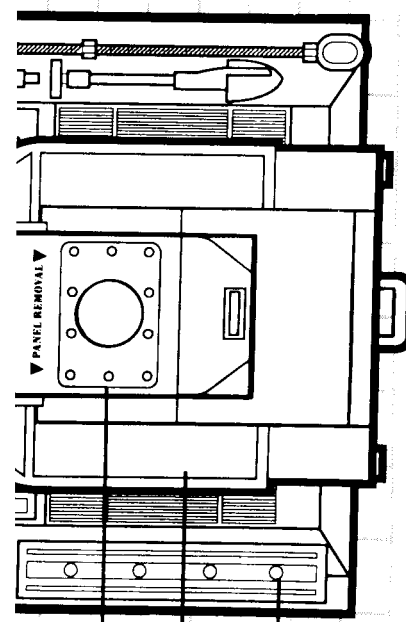
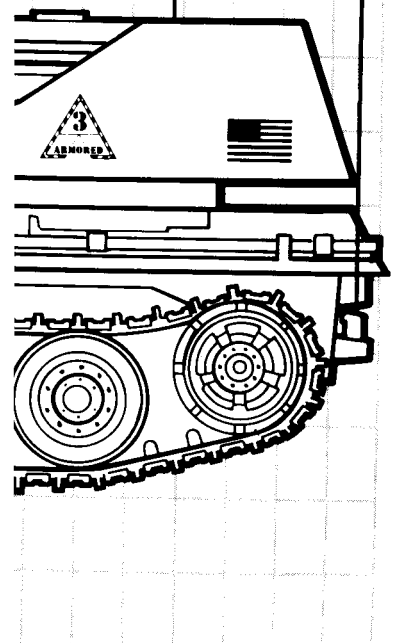


TOW CABLE INSTALLATION



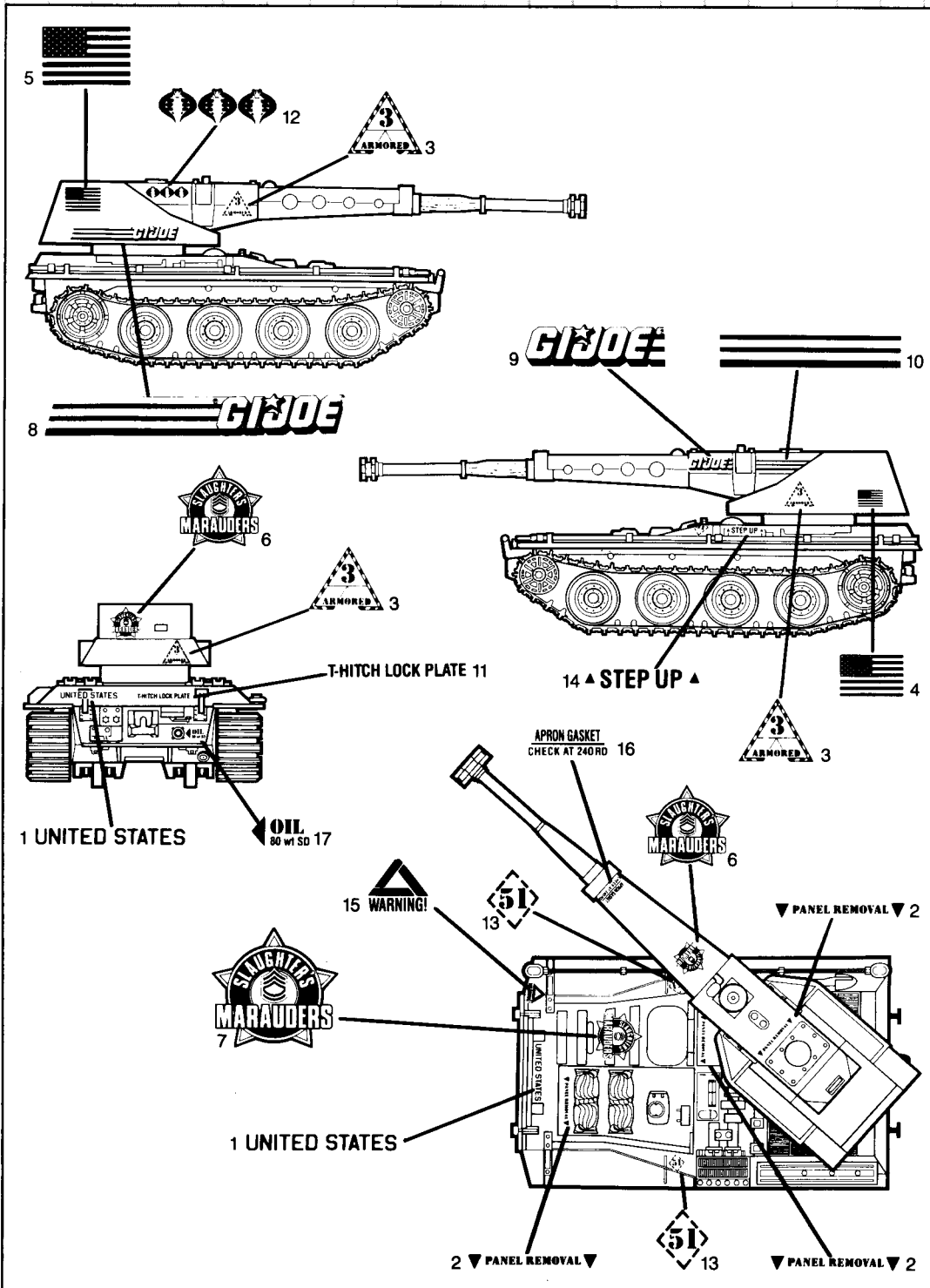
- 1 Turn body bottom upside down. Snap wheels (4) onto body bottom as shown. (ILL. 1)
- 2 Turn body right side up. Slide tabs on left track tread, marked "L", into slots in left body bottom. Repeat with right track tread. (ILL. 2)
- 3 Slide rear tow hook bumper over body rear as shown. (ILL. 3)
- 4 Place tabs on body top front end into holes in body bottom front end, then swing down and snap rear into place. (ILL. 4)
- 5 Insert square-end of gun barrel through hole in front end of gun body bottom as shown. (ILL. 5)
- 6 Fit front end of gun body top onto front end of gun body bottom, then swing down body top and snap together. (ILL. 6)
- 7 Turn turret top upside down. Fit gun body rear through hole in turret front as shown. Fit posts on gun body into notches on turret. (ILL. 7)
- 8 Place front end of turret bottom onto lip of front end of turret top. Swing up turret bottom rear and snap tabs into holes as shown. (ILL. 8)
- 9 Snap turret onto body. (ILL. 9)
- 10 Fit tab on engine cover into hole in engine area, then swing down cover rear and snap into place. (ILL. 10)
- 11 Fit tow cable over posts on body sides. (ILL. 11)

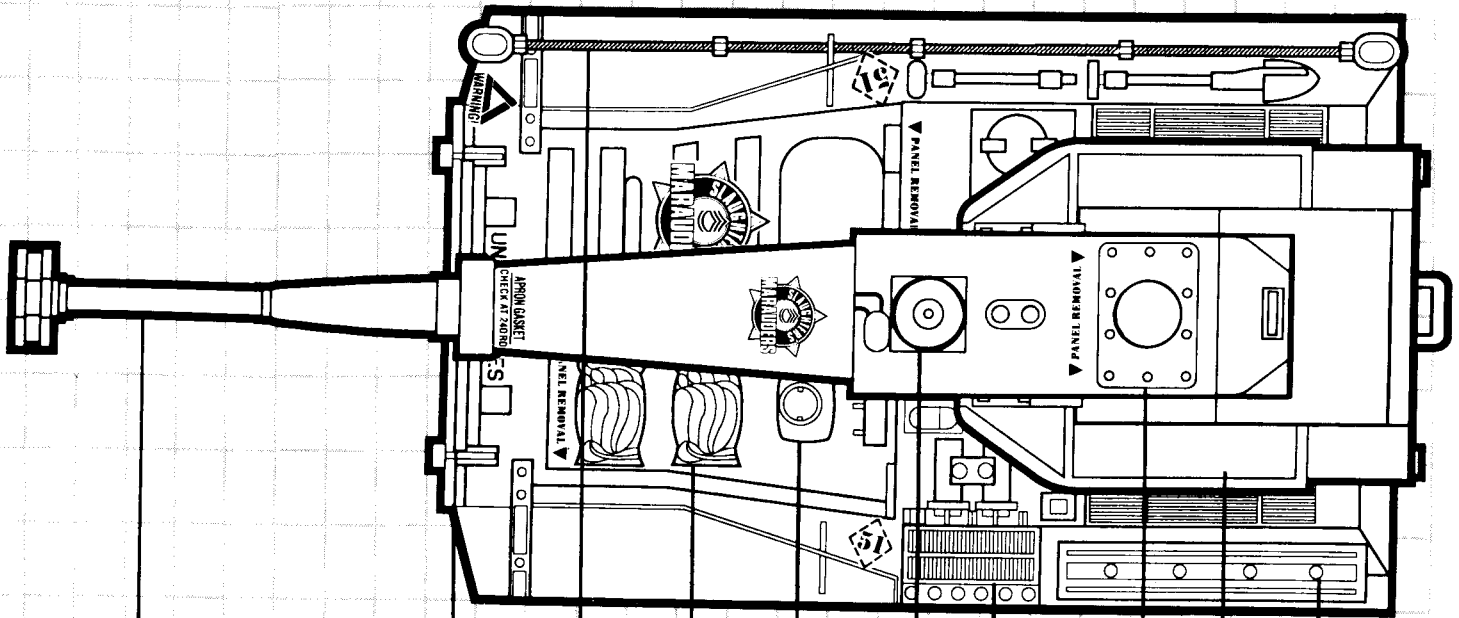
1989 Hasbro, Inc., Pawtucket, RI 02862 USA All Rights Reserved **MADE IN BRAZIL** 6718 P/N 40454600



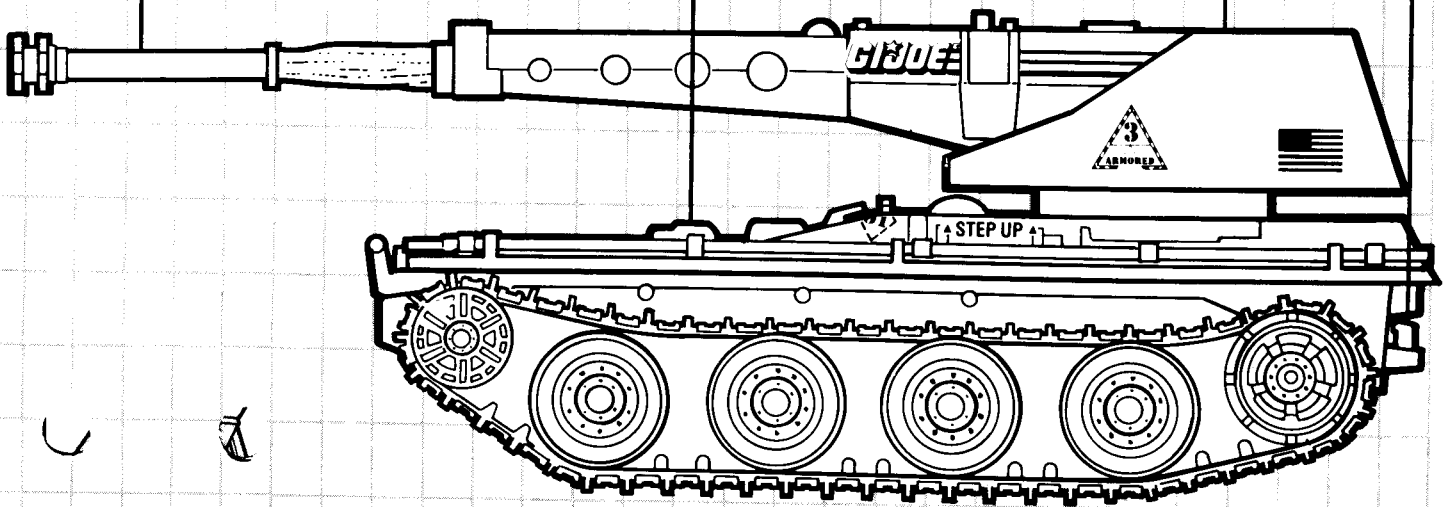
SLAUGHTER'S MARAUDERS™ LYNX™

- 1) 203mm, HIGH VELOCITY, LASER-GUIDED, PRESSURIZED CANNON
- 2) THERMAL-PROTECTED OBSTACLE ELIMINATOR FRONT END
- 3) HIGH-TENSION, STEEL-REINFORCED RESCUE CABLE
- 4) ARMAMENTS' BAY CANNON LOADING STATION
- 5) SINGLE-MANNED, PERSONNEL DRIVER/ARMAMENTS' LAUNCH AREA
- 6) INFRARED TARGET-LOCK, DIRECTIONAL LOCATOR
- 7) HEAT EMITTING, EXHAUST DUCT WITH COOLANT SYSTEM
- 8) 9" STEEL PLATED, SOUND-PROOF, CONCUSSION-BLAST ABSORBER
- 9) 360° POSITIONABLE, ATTACK-RESISTANT CANNON TURRET
- 10) STATIONARY PERSONNEL IMPLACEMENTS FOR FAST MOBILIZATION
- 11) LEVEL-DRAG, VEHICLE TRANSPORTATION TOW HOOK





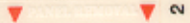
- (1)
- (2)
- (3)
- (4)
- (5)
- (6)
- (7)
- (8)
- (9)
- (10)
- (11)



GI JOE

8

4



2

UNITED STATES

1

6



6



13



13



2



7



3



3



3

5



2



UNITED STATES

14

16



CHECK AT 240RD



17

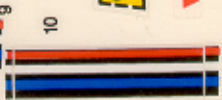
GI JOE

12



T-HITCH LOCK PLATE

11



10

9

15



15