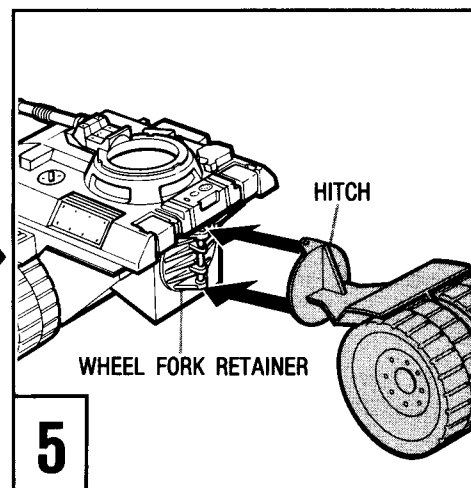
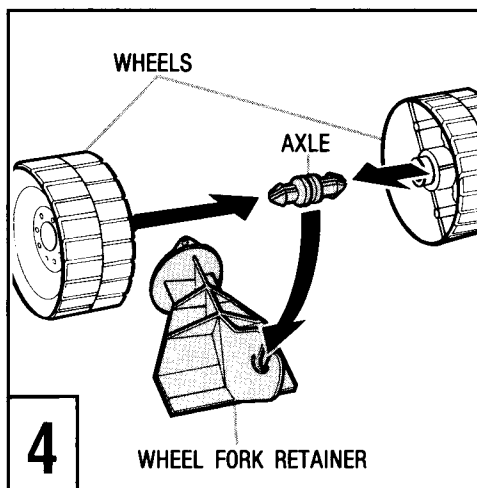
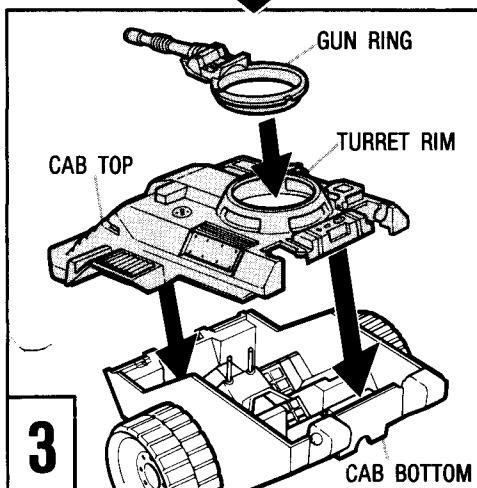
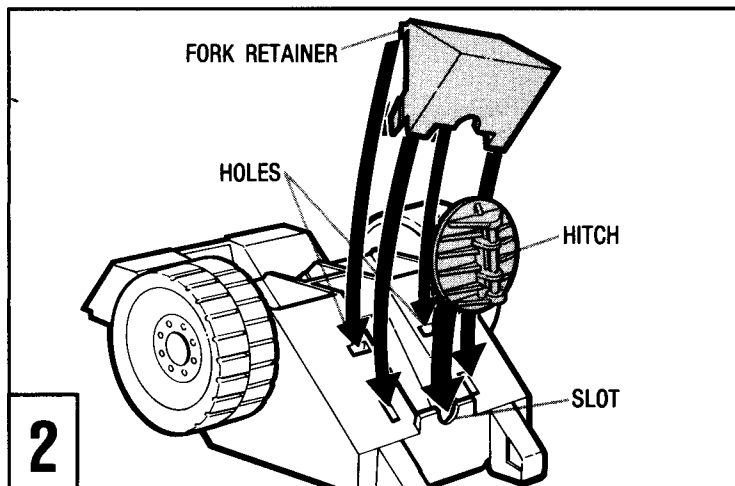
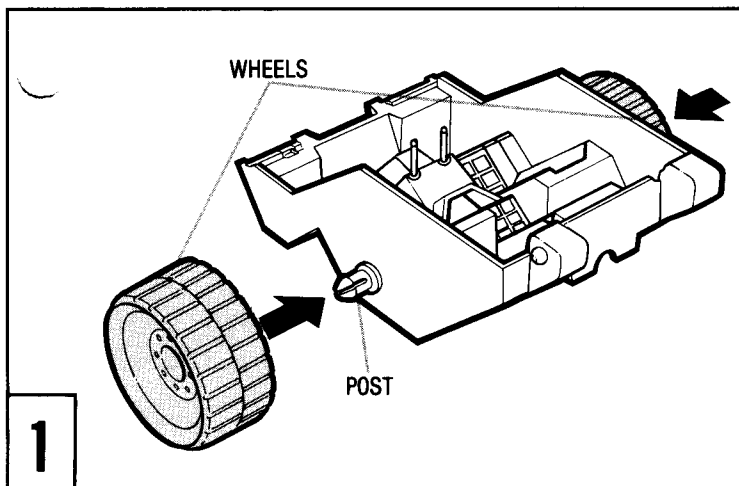
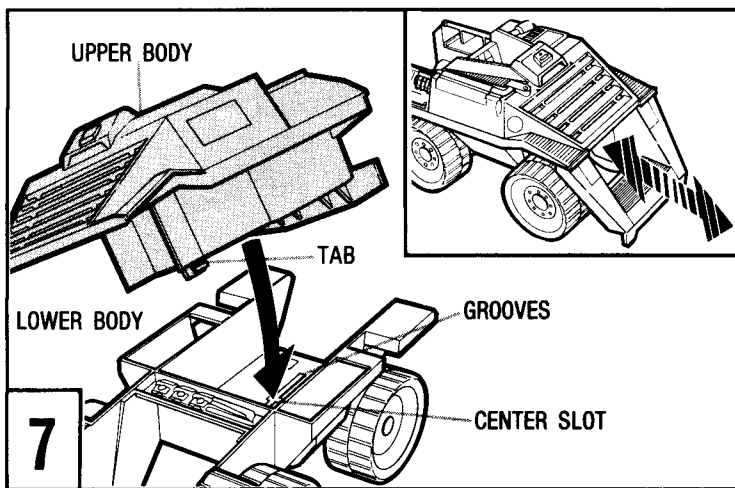
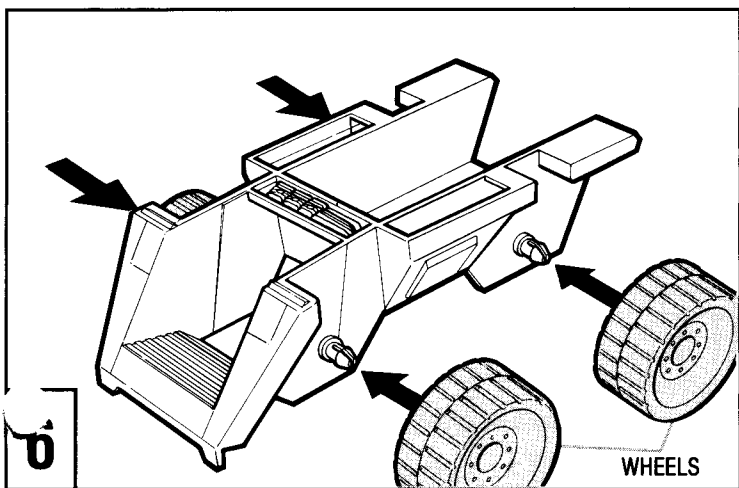


### CAB-FRONT VEHICLE

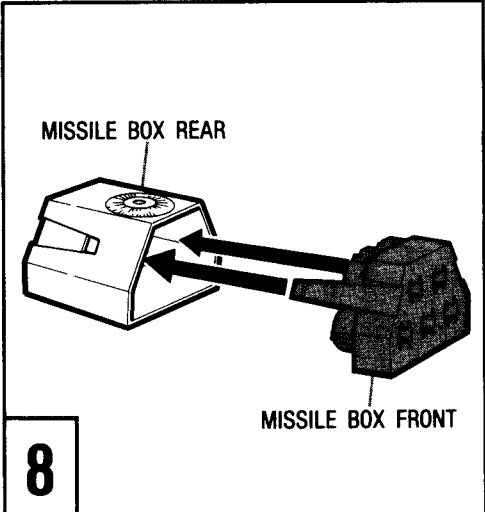


1. Snap 2 wheels onto posts on cab sides. (ILL. 1)
2. Turn body upside down. First fit hitch into slot underneath cab body, then snap fork retainer into holes underneath cab, trapping hitch. (ILL. 2)
3. Turn body right side up. Snap cab top onto cab bottom. Snap gun ring onto turret rim. (ILL. 3)
4. Snap axle into wheel fork retainer. Snap 2 wheels onto axle. (ILL. 4)
5. Snap wheel fork retainer to hitch on cab rear as shown. (ILL. 5)

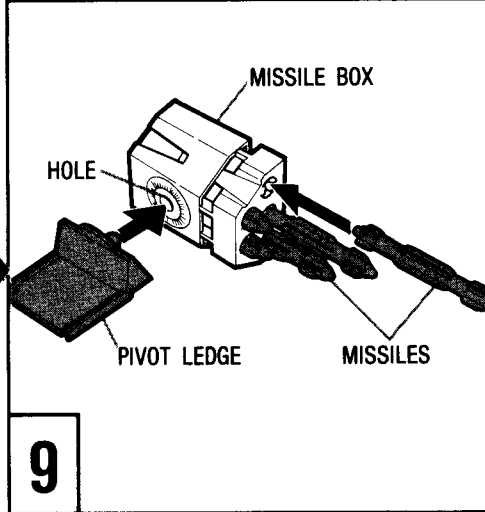
### MAIN BODY-REAR VEHICLE



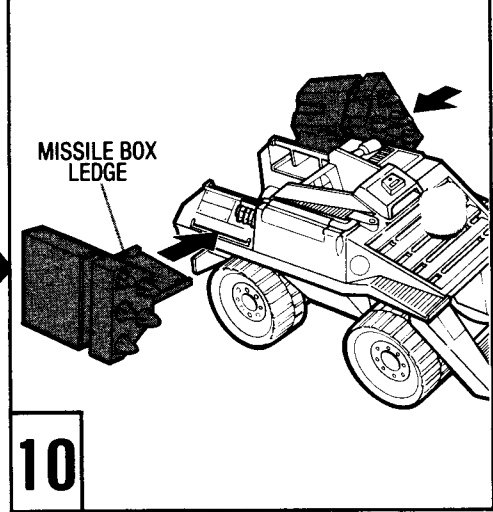
6. Snap 4 remaining wheels onto body bottom. (ILL. 6)
7. Line up tab on upper body with grooves in center slot on lower body, then snap into place. Body top should be able to move back and forth. (INSET) (ILL. 7)



8



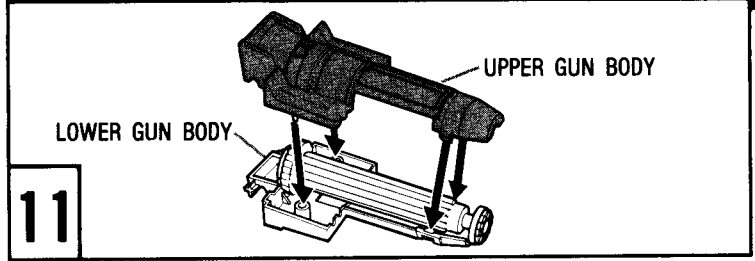
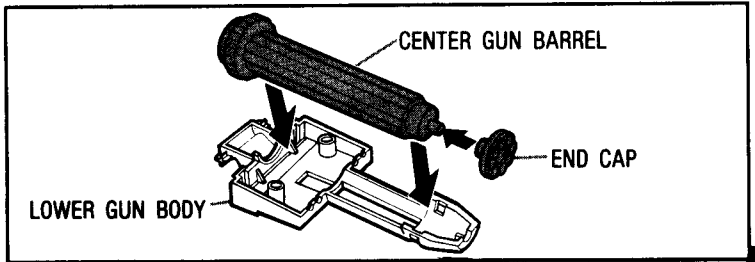
9



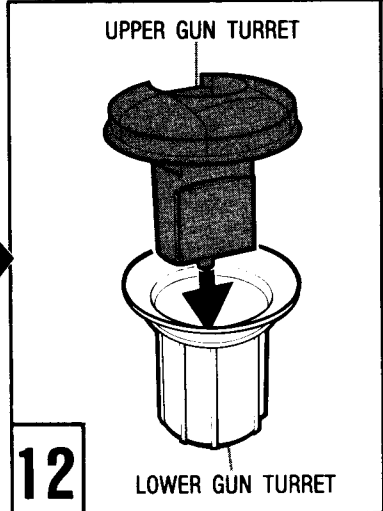
10

8. Snap missile box rear into missile box front. Repeat for other missile box. (ILL. 8)
9. Snap missile box pivot ledge into hole in missile box. Fit 5 missiles into launch tube in missile box. Repeat for other missile box. (ILL. 9)
10. Snap missile box ledge into right body side. Repeat for other missile box. (ILL. 10)

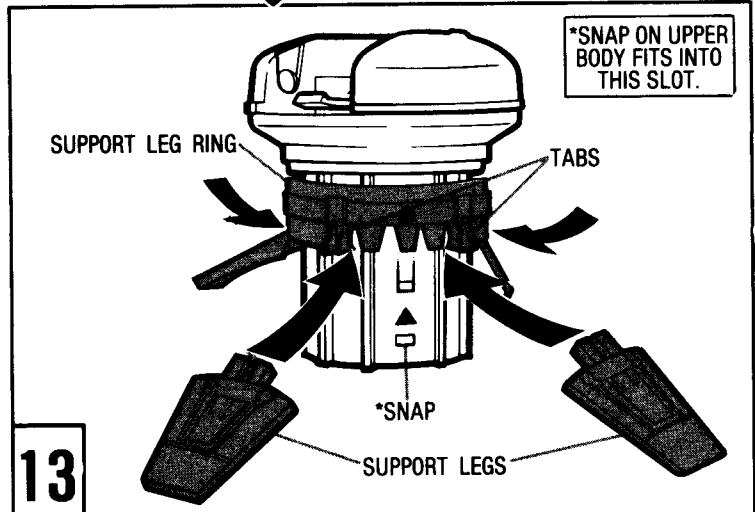
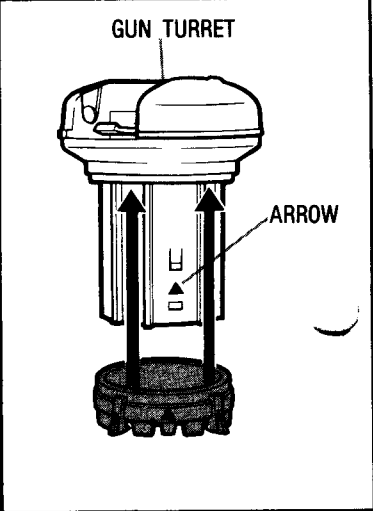
**CENTER GUN TURRET**



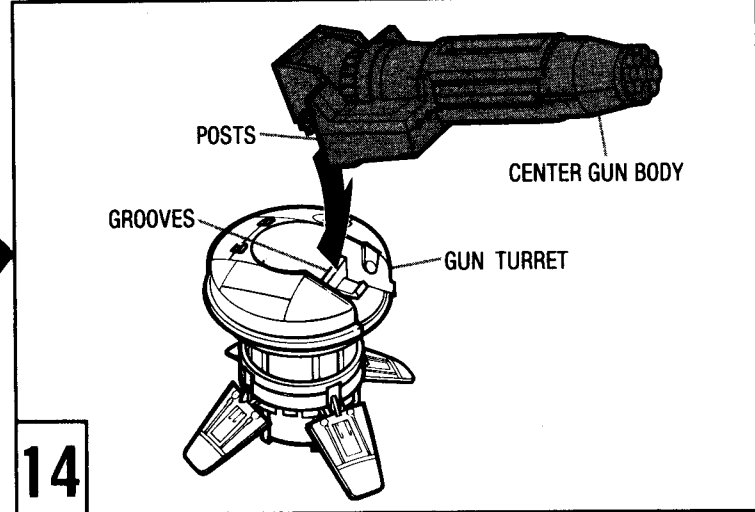
11



12



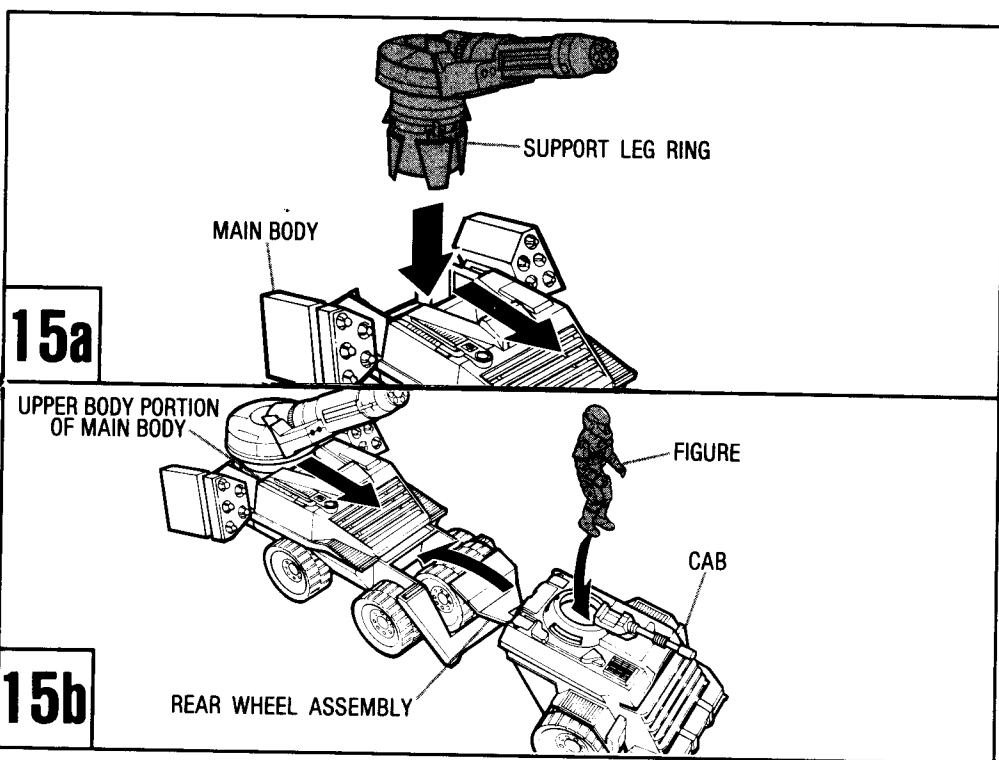
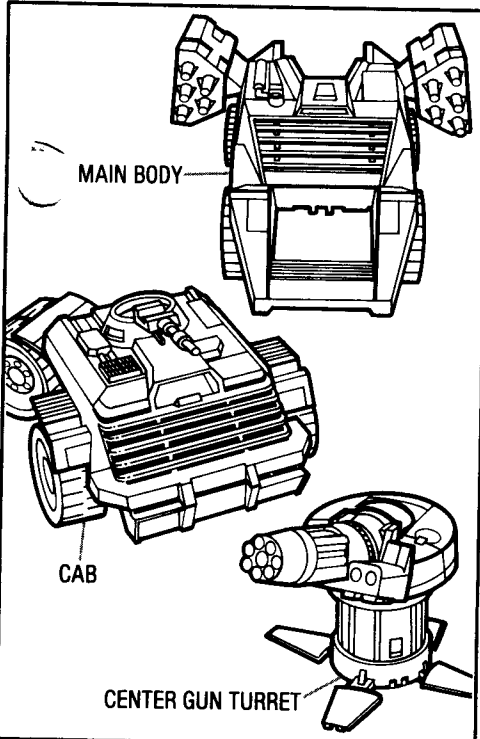
13



14

11. Snap center gun end cap onto end of gun barrel. Place center gun barrel onto lower gun body. Line upper gun body with lower gun body and snap together. (ILL. 11)
12. Snap upper gun turret and lower gun turret together. Line up arrow on support leg ring with arrow on lower gun turret, then slide up support leg ring to top of turret. (ILL. 12)
13. Snap posts on 4 support legs onto tabs on support leg ring. (ILL. 13)
14. Snap posts on back end of center gun body into grooves in gun turret. (ILL. 14)

# GENERAL MEAN DOG ASSEMBLY



- 15a.** Pull up support leg ring. Line up arrow on gun turret with tab on main body, then snap into place. (ILL. 15a)
- 15b.** Slide upper body portion of main body (rear vehicle) backwards. Insert rear wheel assembly of cab into front section of main body, then slide main body forward. Place WILDCARD™ figure into cockpit area. (ILL. 15b)

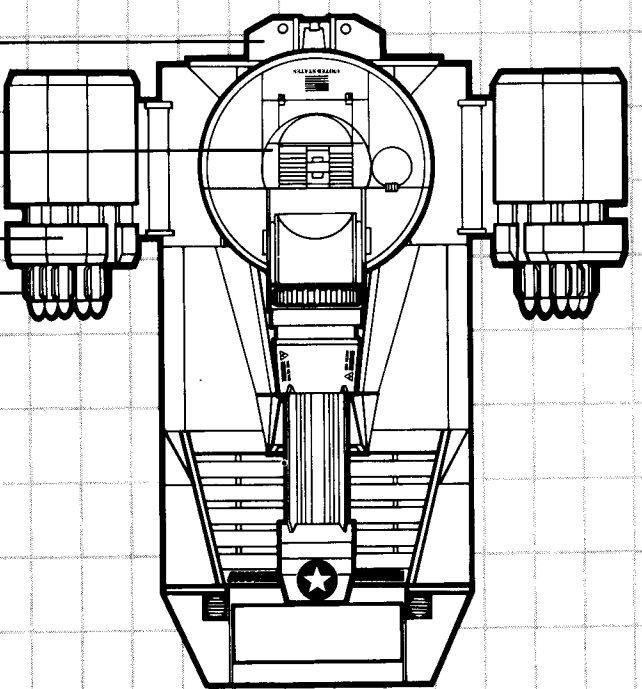
Peel and apply labels as shown.

Labels shown include:

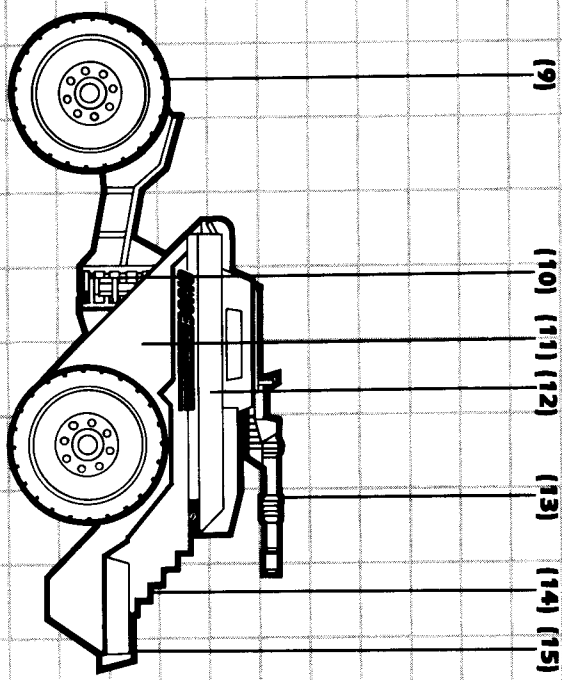
- GIJOE (multiple instances)
- UNITED STATES (multiple instances)
- HIGH VOLTAGE (multiple instances)
- XTD-HE7W-IN2G 11 (multiple instances)
- SHARK HEAD LOGO (multiple instances)
- UNLATCH TO OPEN (multiple instances)

## MEAN DOG™

1. REAR MOUNTED PERSONNEL PLATFORM/TOW HOOK.
2. "STAND ALONE" PIVOTING AUTOMATIC CANNON
3. ROTATING SINGLE PERSON OPERATIONS STATION
4. UPWARD ROTATION MULTI-MISSILE BANK
5. SAM-12 (SURFACE-TO-AIR MISSILE) "MULTI MAX" MISSILES
6. VEHICLE DRIVER STATION/MISSILE LAUNCH CONTROL
7. V-10 MULTI-FUEL 830 BHP SUPER-CHARGED MAIN DRIVE ENGINE
8. M200 "SPITFIRE" 20 MM AUTOMATIC CANNON (3000 ROUNDS PER MINUTE)
9. PIVOTING REAR-MOUNTED MONO WHEEL
10. MONO WHEEL SERVO MOTOR PIVOT SYSTEM/TRANSAXLE
11. V-8 FUEL INJECTED 440 BHP SECONDARY DRIVE ENGINE
12. THREE PERSON VEHICLE OPERATIONS STATION/FIRE CONTROL CENTER
13. M60 .50 CAL "FIRE RING" PIVOTING MACHINE GUN
14. SLOPED DEFLECTION ARMOR/FRONT CANOPY
15. ALUMINUM AND HARDENED STEEL 10-70 MM SIDE PLATING

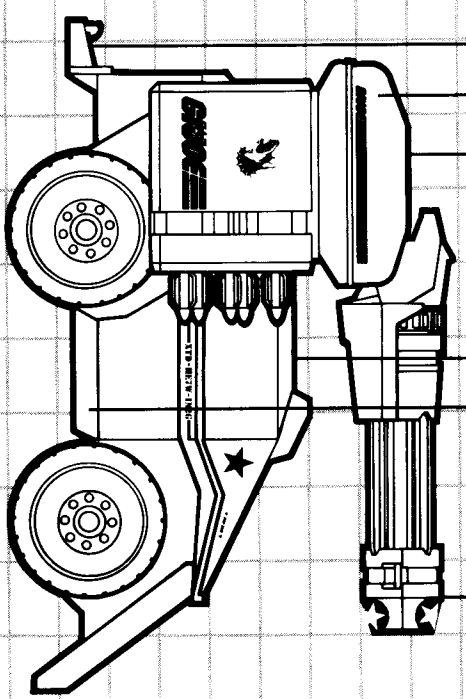


- (1)
- (2)
- (3)
- (4)
- (5)
- (6)
- (7)
- (8)



- (9)
- (10)
- (11)
- (12)
- (13)
- (14)
- (15)

[FAST ATTACK SCOUT CAR]



[AUTOMATIC CANNON VEHICLE]