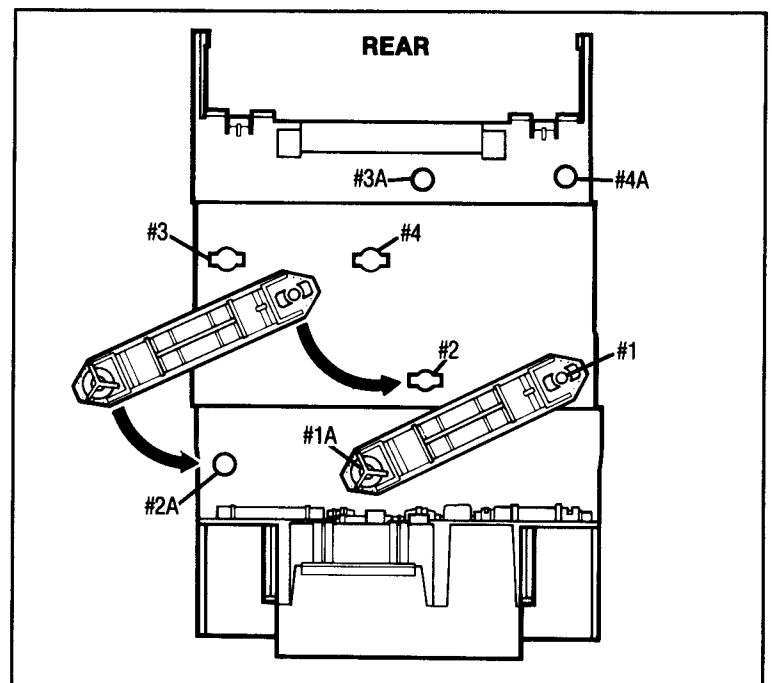
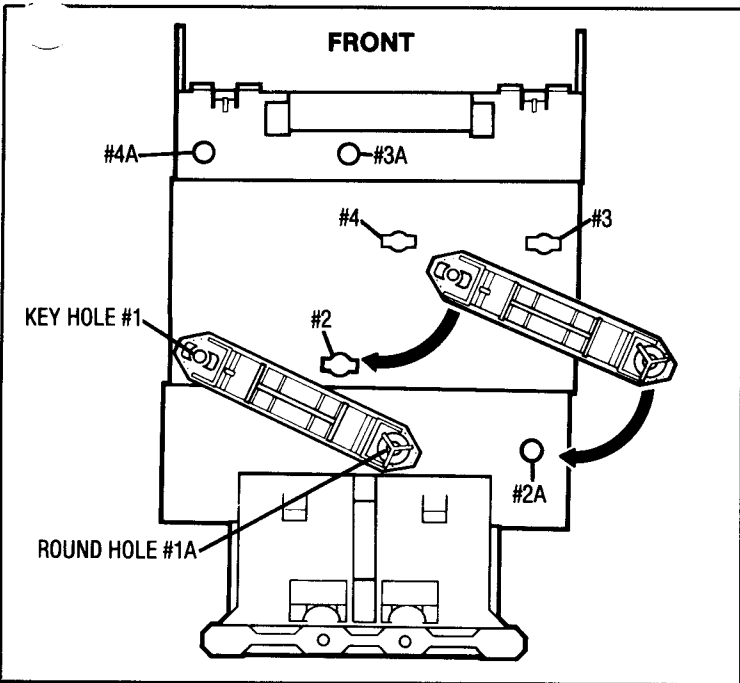
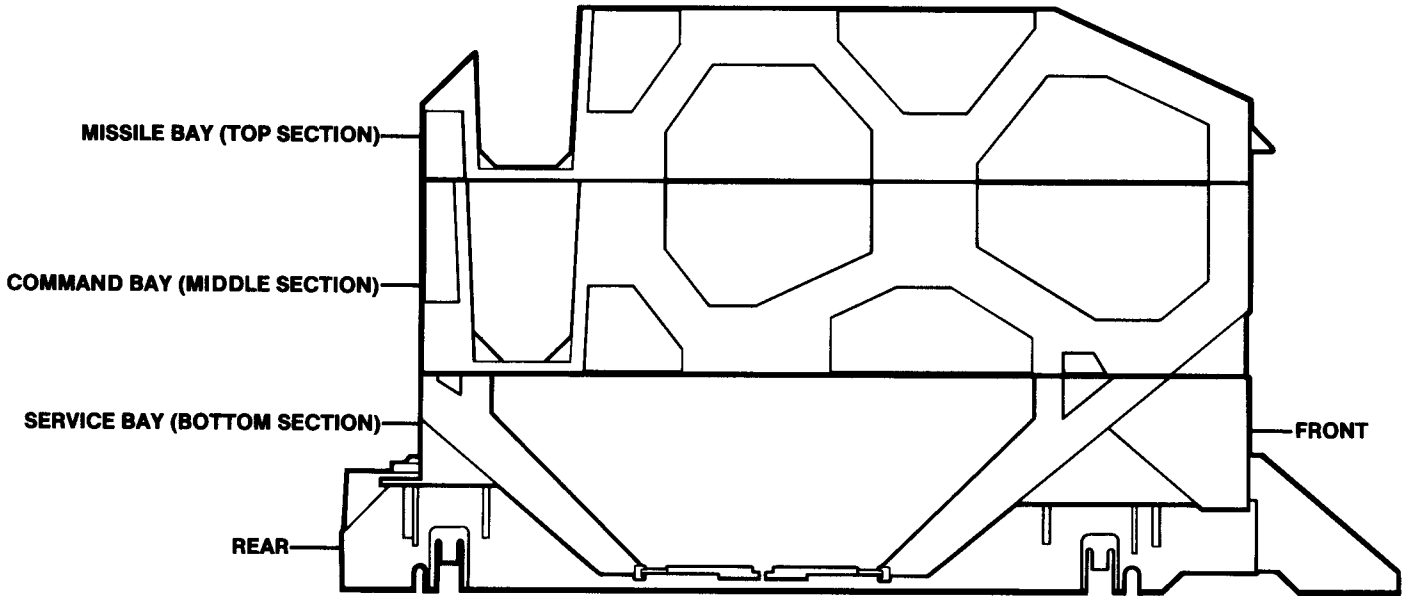


INSTRUCTION SHEET "A"

TO ASSEMBLE 3 BAY FLOORS: Stack Bay floors as shown.



IMPORTANT: Assemble FRONT HINGES FIRST. FOLLOW STEP BY STEP WHEN ATTACHING BAY FLOOR HINGES.

2. REPEAT STEPS 1 and 2 with REAR bay floor hinges.

1. Insert SQUARE TAB on one hinge into KEY HOLE #1. Lap ROUND TAB into ROUND HOLE #1A. Repeat with KEY HOLES #2, #3, and #4.