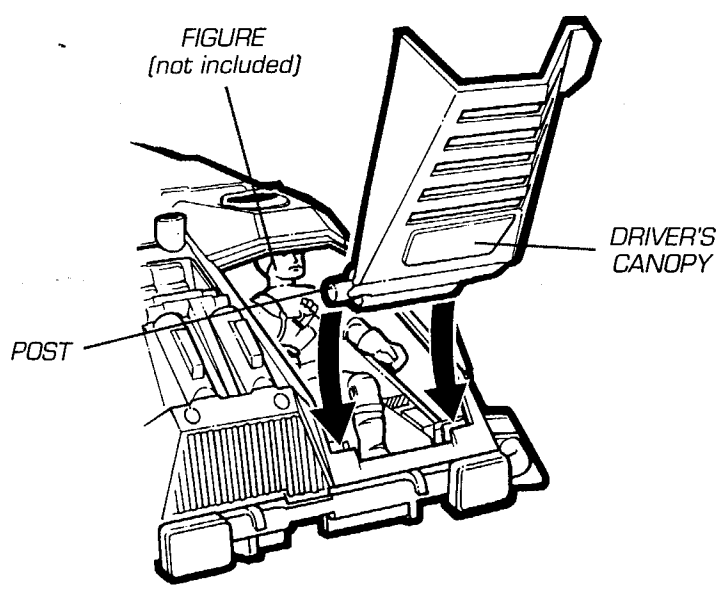
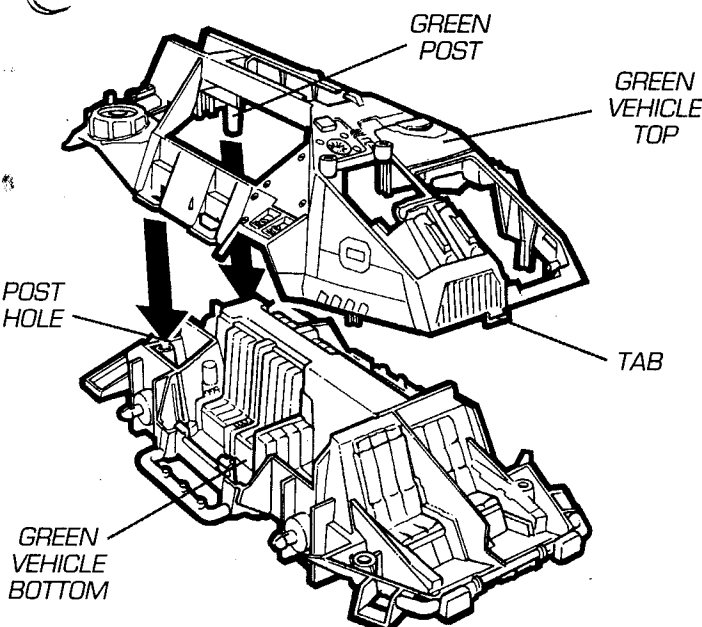


CONTAINS: Monster Blaster A.P.C. body halves, "lock 'n load" launcher with canopy, 3 laser guns, 4 missiles, driver's canopy, 4 wheels and label sheet. Remove all pieces from plastic frames. If you have difficulty use safety scissors.

CAUTION: Do not aim weapon at eyes or face.

0688900

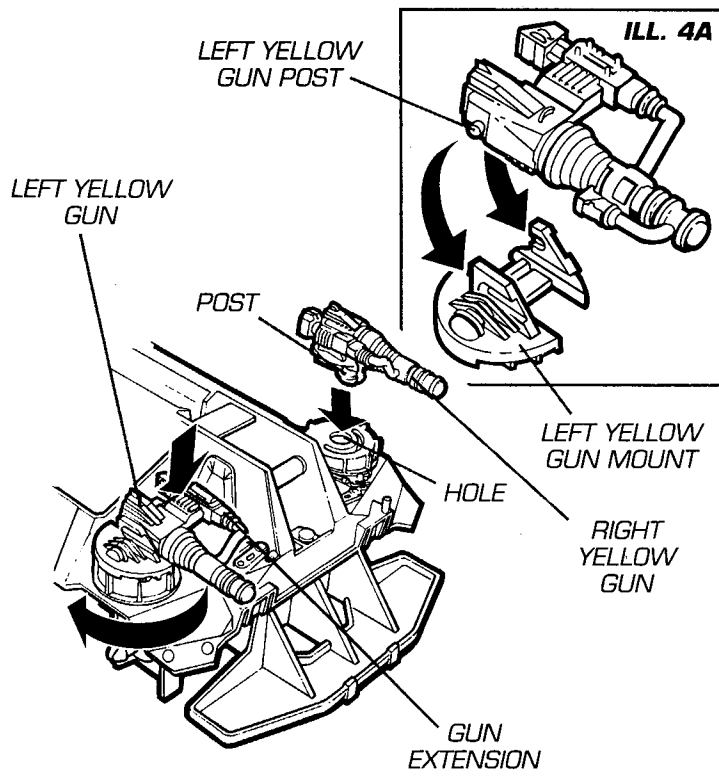
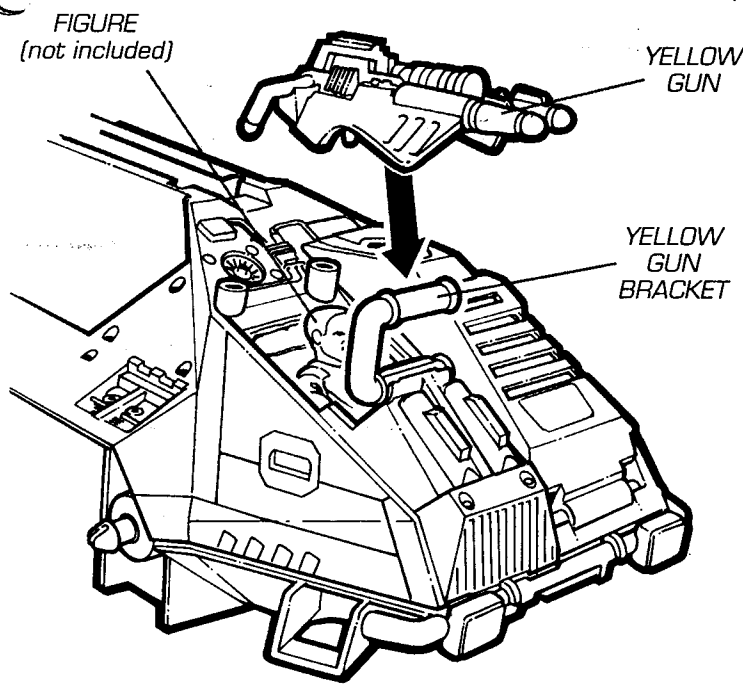


1 BODY ASSEMBLY

Fit posts below rear of green vehicle top into post holes at rear of green vehicle bottom. Carefully press down on sides and front of vehicle until tabs snap into place.

2 CANOPY PLACEMENT

Snap yellow driver's canopy posts into green body as shown. Canopy opens to seat figure.

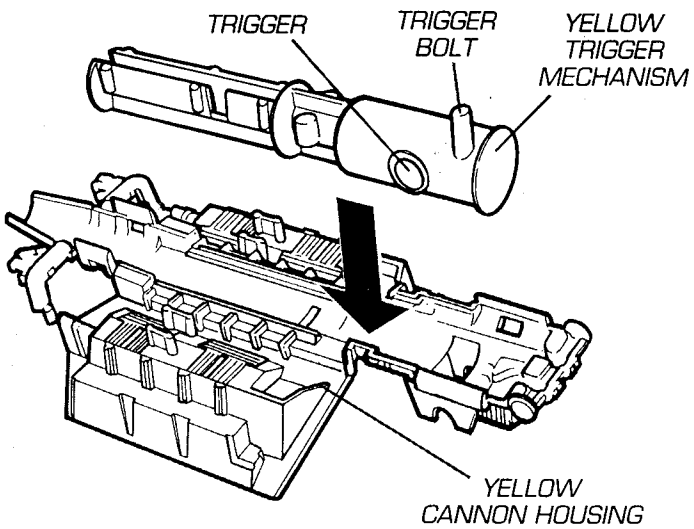


3 FRONT GUN ASSEMBLY

Fit yellow gun bracket into green body as shown. Snap yellow gun gun bracket post. Gun swings forward to seat figure.

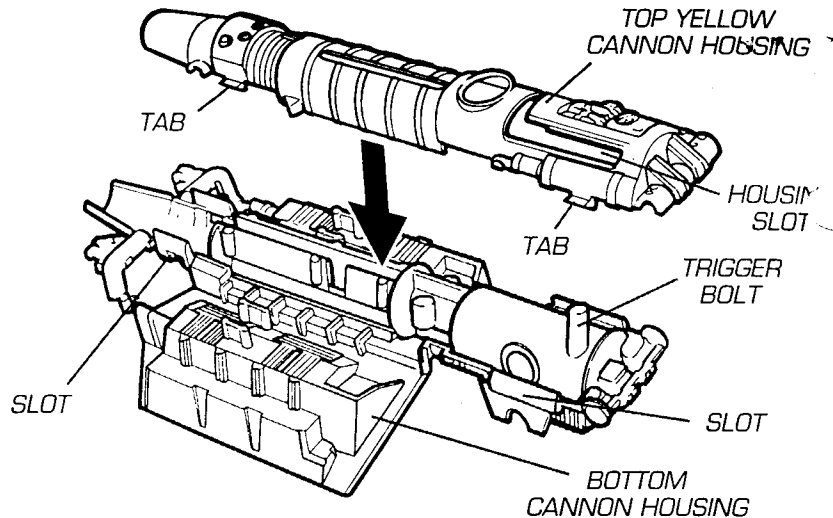
4 REAR GUN ASSEMBLY

Insert yellow gun posts into gun mount holes (ILL. 4A). Repeat for other rear gun and gun mount. **NOTE:** There are left and right guns and left and right gun mounts. For proper placement, make sure you fit the guns into their proper mounts as shown in illustration. With gun extension facing in toward vehicle as shown, snap yellow post into rear gun hole. The tab below the gun mount will slide within the green gun mount's groove.



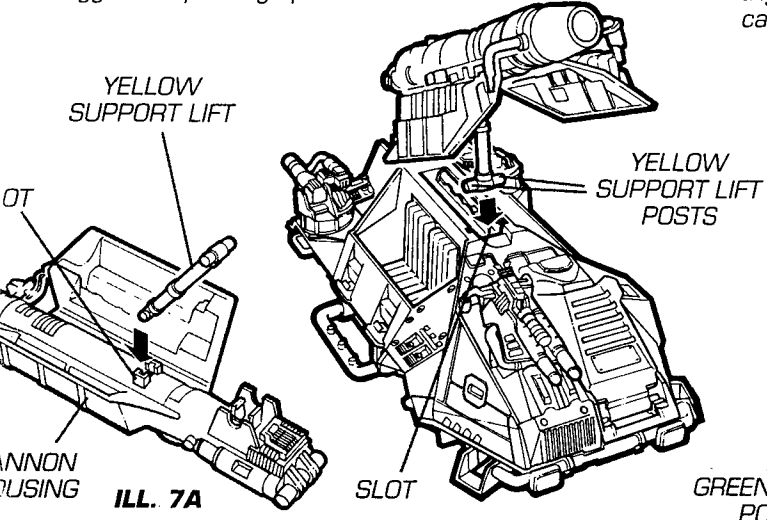
5 CANNON ASSEMBLY

Place yellow trigger mechanism into bottom, yellow cannon housing near trigger bolt pointing up.

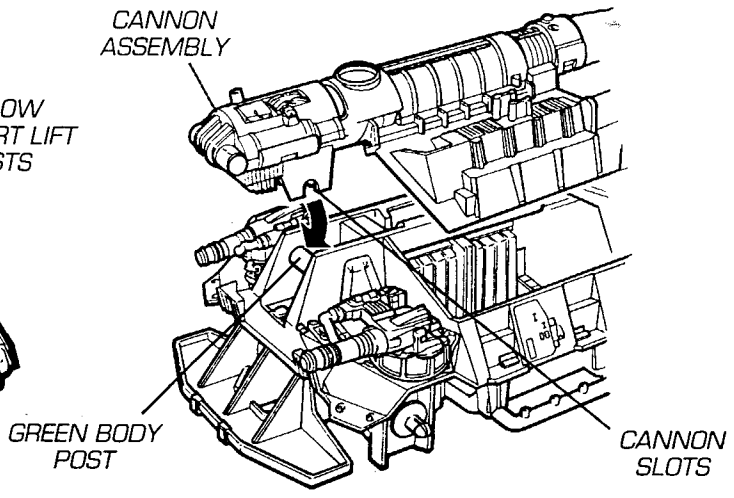


6 CANNON ASSEMBLY CONT.

Place top, yellow cannon housing over cannon mechanism, fitting trigger bolt through housing slot as shown. Snap tabs on top cannon housing into slots in bottom cannon housing.



ILL. 7A

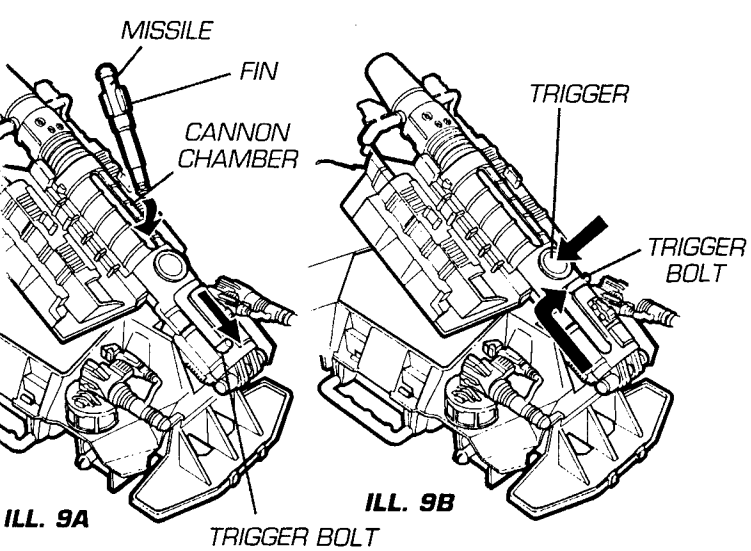


8 CANNON ASSEMBLY CONT.

Slide cannon assembly back and snap rear cannon slots onto green body post as shown.

7 CANNON ASSEMBLY CONT.

Slide top of yellow support lift into slot below bottom cannon housing (ILL. 7A). Guide bottom support lift posts into green body post as shown.



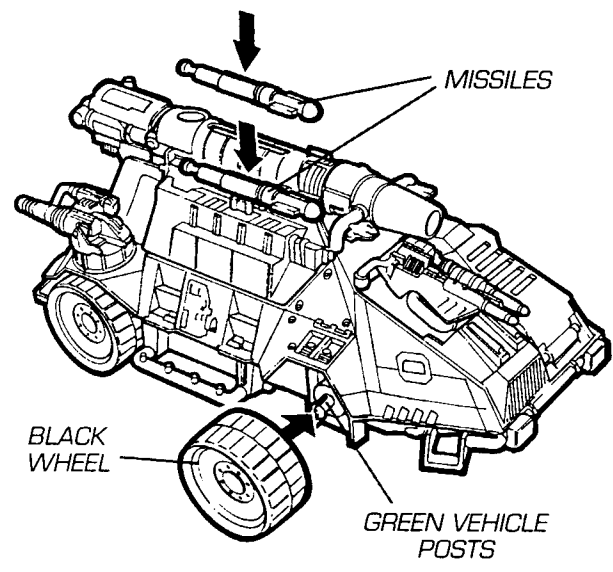
ILL. 9A

ILL. 9B

9 FIRING CANNON

Push trigger bolt back and insert missile into cannon chamber with trigger bolt pointing up as shown. (ILL. 9A). Push trigger bolt forward over to lock and load missile. Press trigger to fire (ILL. 9B).

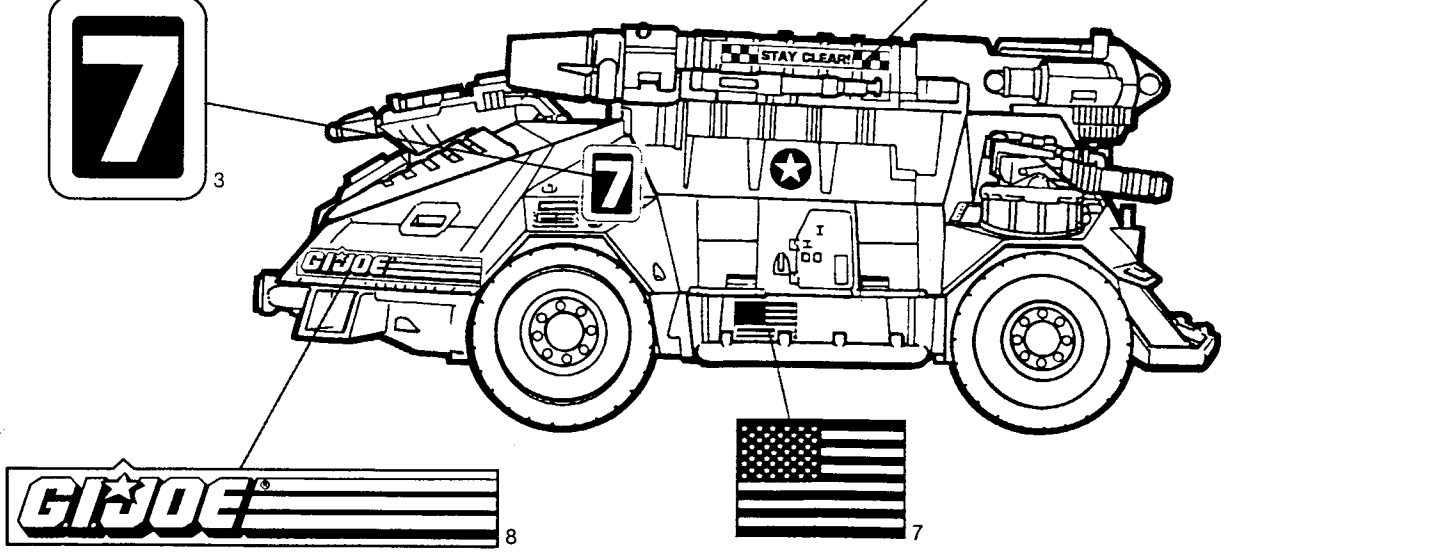
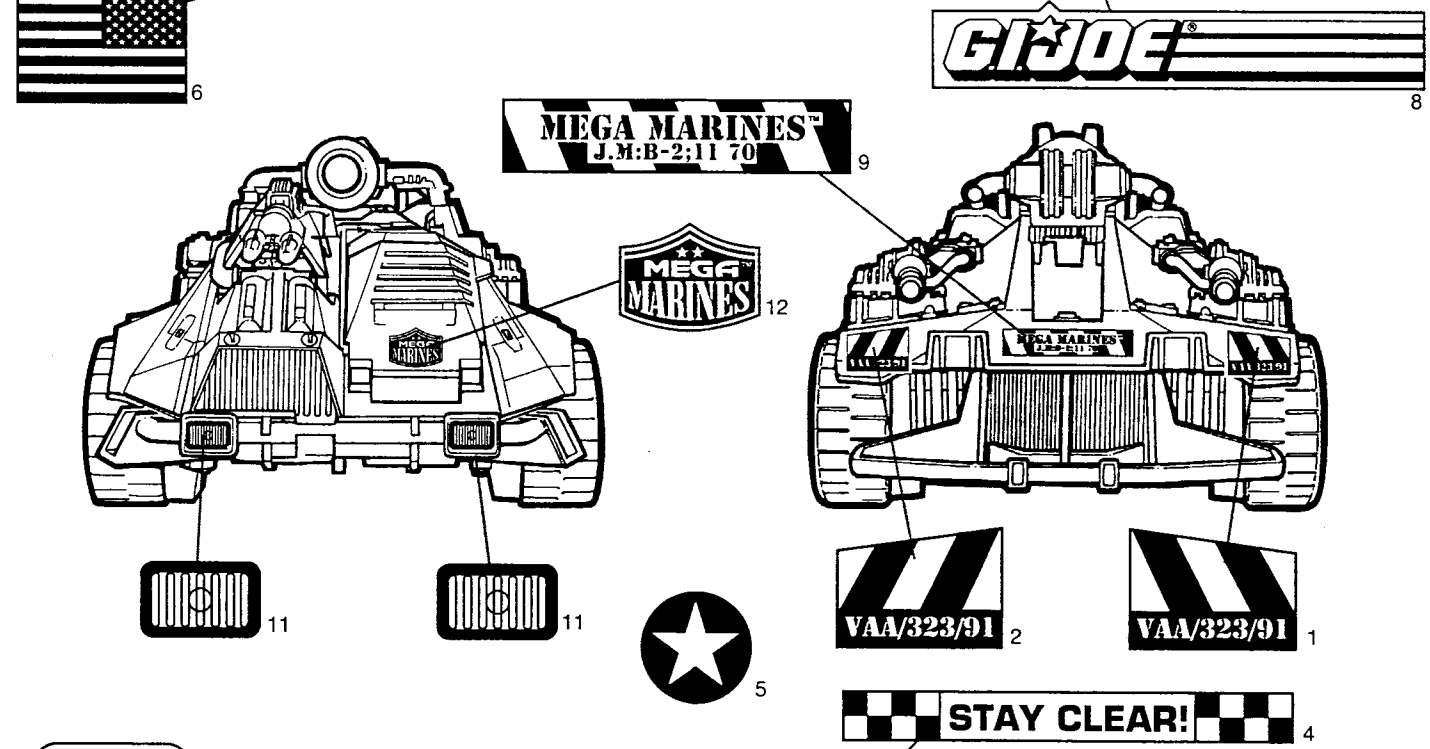
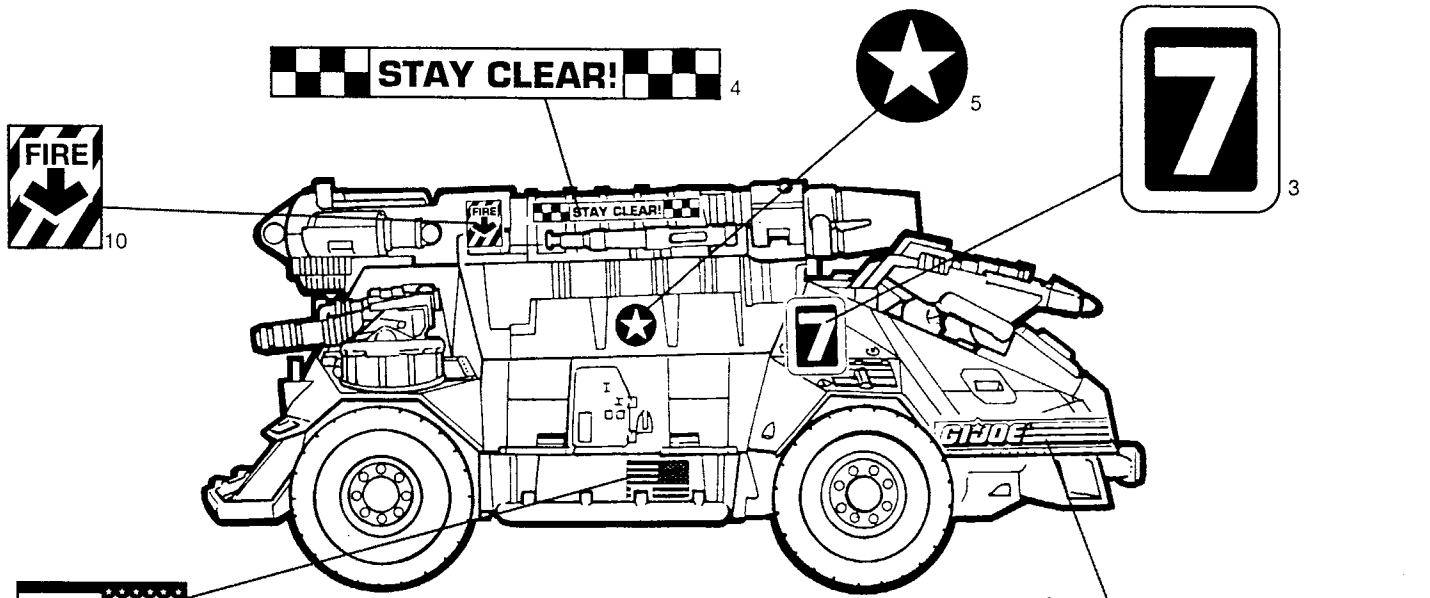
CAUTION: Do not aim cannon at eyes or face.

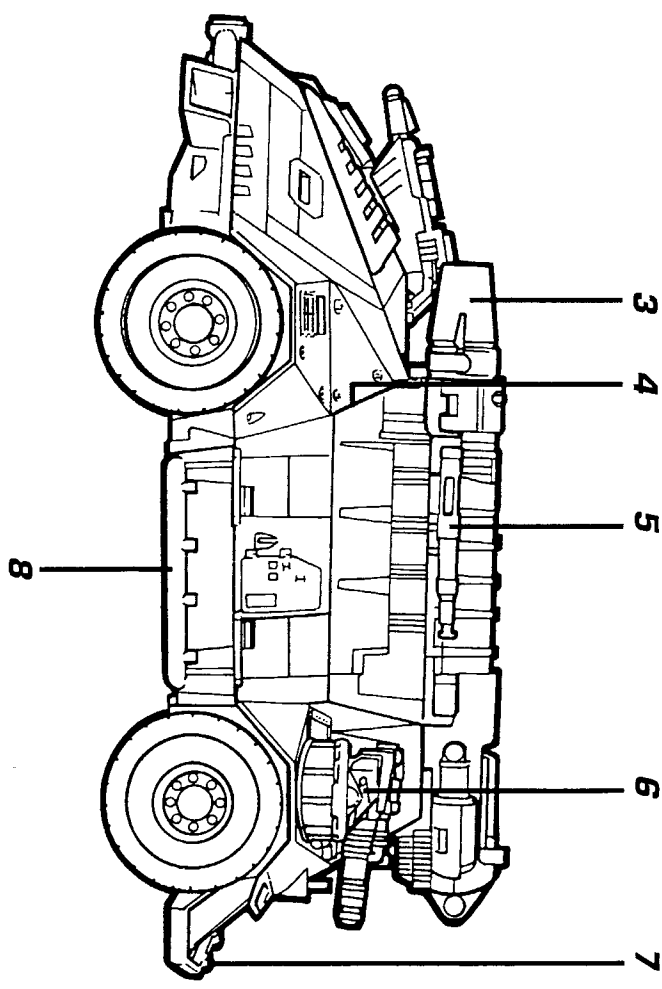
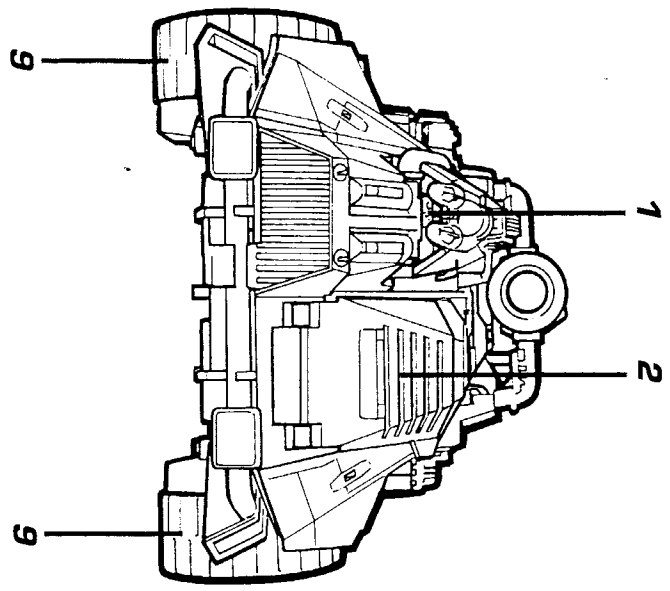


10 WHEEL ASSEMBLY/MISSILE STORAGE

Snap the four black wheels onto green vehicles posts. Missiles store on top of yellow canopy as shown.

Feel and apply labels as shown.





1. FRONT-MOUNTED GUNNER'S SEAT WITH TARGETING LASER GUN
2. DRIVERS SEAT WITH FLIP-TOP ARMOR CANOPY
3. "LOCK 'N LOAD" MISSILE CANNON WITH AUTO-LIFT CANOPY SYSTEM
4. TRANSPORT BAY HOLDS MEGA-MARINE™ REINFORCEMENT PERSONNEL
5. 4 MONSTER ANNIHILATING, HEAT SEEKING M-44 MISSILES
6. TWO PIVOTING, LASER CONCUSSION GUNS
7. REAR MEGA-MARINE PLATFORM WITH DUAL OPERATION CONTROLS
8. SIDE-MOUNTED RUNNING BOARDS HOLD MEGA-MARINES
9. ALL-TERRAIN, PUNCTURE-PROOF, MONSTER CRUSHING TIRES

MONSTER BLASTER A.P.C.™
OFFICIAL G.I. JOE VEHICLE SPECIFICATIONS

Product and colors may vary.
Approximate size of Monster Blaster A.P.C. is 13 1/2" L x 7 3/8" W x 5 1/2" H.
© 1992 Hasbro, Inc., Pawtucket, RI 02862 U.S.A. All Rights Reserved.
MADE IN USA.
6889 P/N 43828000